

Job:
Location:
Schedule No.:
System Designation:

Engineer:
Architect:
Location:
Date:

For: Reference Approval Review Construction

Outside Air Indoor Unit

FEATURES

- Pre Heat Function
- Auto Addressing
- Auto Restart
- Electronic Expansion Valve
- Factory Secondary Drain Pan
- Brazed Connections
- LED Display
- Sectional Filter
- High-Efficiency DC Motor
- Built-In Dry Contact Relays
- Refrigerant R-410A
- Five capacity sizes from 36,000 to 96,000 Btu/h

WARRANTY

- 10-year limited warranty.*See warranty for details.

SPECIFICATIONS

PERFORMANCE

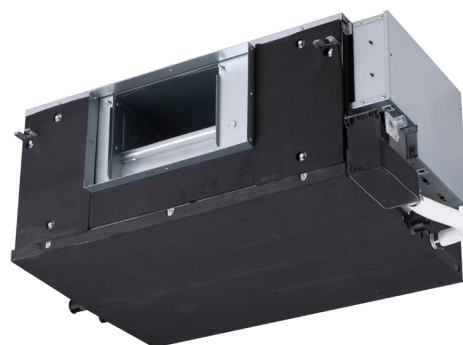
Cooling Capacity ¹ (Btu/h)		36000
Heating Capacity ¹ (Btu/h)		30000
Airflow (CFM)	High	588
	Medium	529
	Low	441
External Static Pressure (in. w.g.)		0.2~0.8
Sound (dBA) (ESP 50Pa)	High	52.5
	Medium	49.5
	Low	46.1

ELECTRICAL DATA

Power Supply (Volts/Hertz/Phase)	208-230/60/1
Minimum Circuit Ampacity (MCA) (A)	2.6
Maximum Overcurrent Protection (MOP) (A)	15
Cooling Power Input ² (W)	71
Cooling Rated Current (A)	0.8
Heating Power Input ² (W)	57
Heating Rated Current (A)	0.6
Indoor Fan Motor Input (W)	64(H:50Pa)

DIMENSIONS

Unit Dimensions (in)	Width	51-1/4
	Height	16-1/2
	Depth	29-1/8
Liquid Pipe Connection (in) (I.D.)		3/8
Gas Pipe Connection (in) (I.D.)		5/8
Condensate Drain Connection - Drain Pump (in) (O.D.)		1
Condensate Drain Connection - Gravity (in) (O.D.)		3/4 MPT
Net Weight (lb)		167
Shipping Weight (lb)		249



OPTIONAL ACCESSORIES

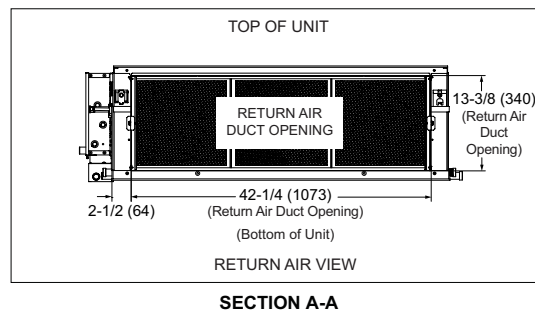
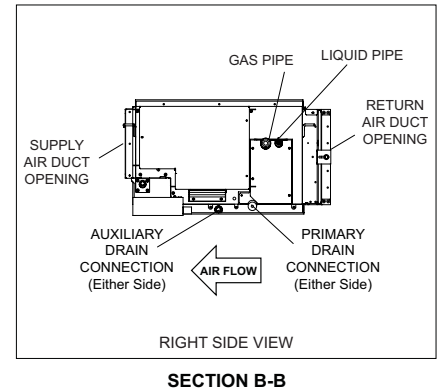
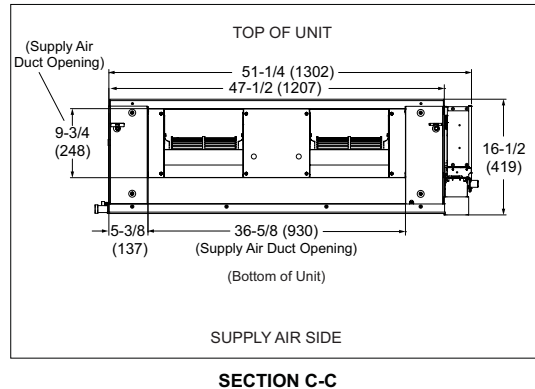
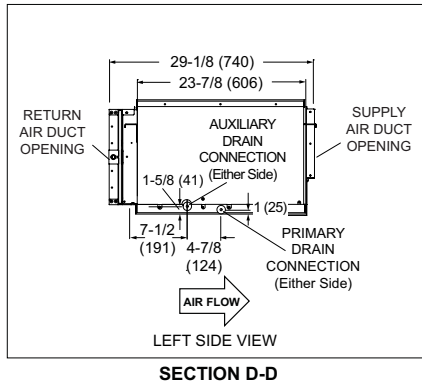
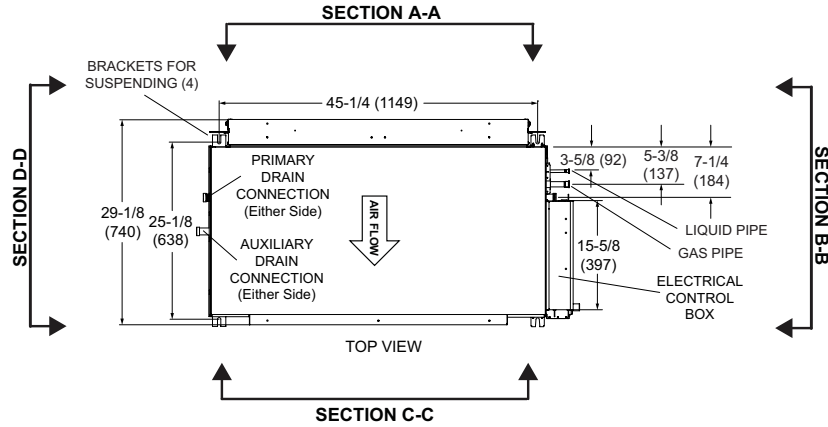
Non-Programmable Controller	V0STAT54P-3
Programmable Wired Controller	V0STAT51P-3
Infrared Wireless Controller	V0STAT52P-1
Occupancy Sensor	V0SNSR78P-3
Remote Sensor	V0SNSR00P-1
Hotel Keycard Interface	V0CTRL88P-1

NOTES

1. Cooling and Heating capacity data is rated at the following conditions:
Cooling: 91°FDB / 82°FWB
Heating: 32°FDB / 26°FWB.
2. Power Input values are rated at high fan speed.

DIMENSIONAL DRAWINGS - INCHES (MM)

VHIB054H4



NOTE - Due to Lennox' ongoing commitment to quality, Specifications, Ratings and Dimensions subject to change without notice and without incurring liability. Improper installation, adjustment, alteration, service or maintenance can cause property damage or personal injury. Installation and service must be performed by a qualified installer and servicing agency.