

Job:
Location:
Schedule No.:
System Designation:

Engineer:
Architect:
Location:
Date:

For: Reference Approval Review Construction

Outside Air Indoor Unit

FEATURES

- Pre Heat Function
- Auto Addressing
- Auto Restart
- Electronic Expansion Valve
- Factory Secondary Drain Pan
- Brazed Connections
- LED Display
- Sectional Filter
- High-Efficiency DC Motor
- Built-In Dry Contact Relays
- Refrigerant R-410A
- Five capacity sizes from 36,000 to 96,000 Btu/h

WARRANTY

- 10-year limited warranty.*See warranty for details.

SPECIFICATIONS

PERFORMANCE

Cooling Capacity ¹ (Btu/h)		96000
Heating Capacity ¹ (Btu/h)		59000
Airflow (CFM)	High	1294
	Medium	1176
	Low	1029
External Static Pressure (in. w.g.)		0.2~1.0
Sound (dBA) (ESP 50Pa)	High	55.8
	Medium	52.5
	Low	49.3

ELECTRICAL DATA

Power Supply (Volts/Hertz/Phase)	208-230/60/1
Minimum Circuit Ampacity (MCA) (A)	5.2
Maximum Overcurrent Protection (MOP) (A)	15
Cooling Power Input ² (W)	182
Cooling Rated Current (A)	1.6
Heating Power Input ² (W)	185
Heating Rated Current (A)	1.6
Indoor Fan Motor Input (W)	80*2(H:50Pa)

DIMENSIONS

Unit Dimensions (in)	Width	56-3/4
	Height	20.3/4
	Depth	38-1/4
Liquid Pipe Connection (in) (I.D.)		3/8
Gas Pipe Connection (in) (I.D.)		7/8
Condensate Drain Connection - Drain Pump (in) (O.D.)		/
Condensate Drain Connection - Gravity (in) (O.D.)		1 MPT
Net Weight (lb)		275
Shipping Weight (lb)		375



OPTIONAL ACCESSORIES

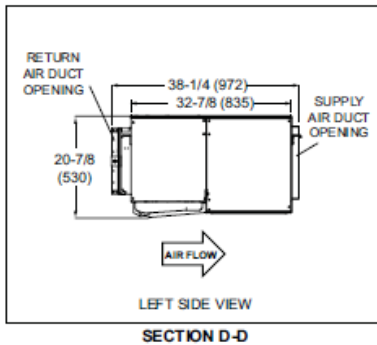
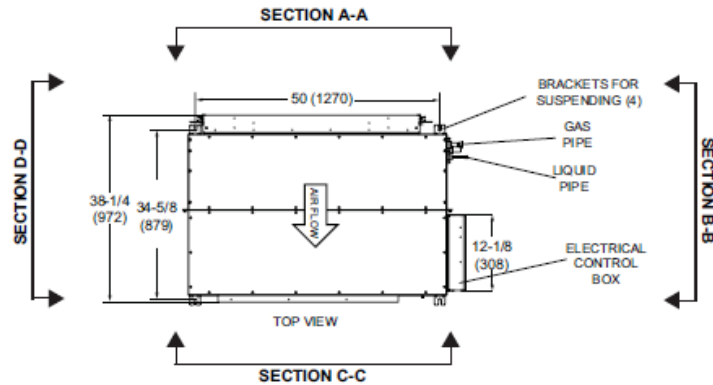
Non-Programmable Controller	V0STAT54P-3
Programmable Wired Controller	V0STAT51P-3
Infrared Wireless Controller	V0STAT52P-1
Occupancy Sensor	V0SNSR78P-3
Remote Sensor	V0SNSR00P-1
Hotel Keycard Interface	V0CTRL88P-1

NOTES

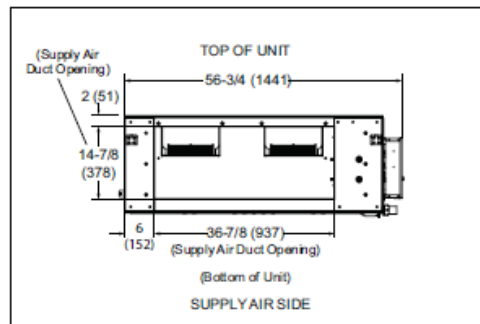
1. Cooling and Heating capacity data is rated at the following conditions:
Cooling: 91°FDB / 82°FWB
Heating: 32°FDB / 26°FWB.
2. Power Input values are rated at high fan speed.



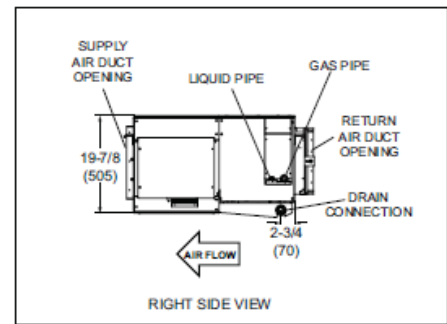
DIMENSIONAL DRAWINGS - INCHES (MM)



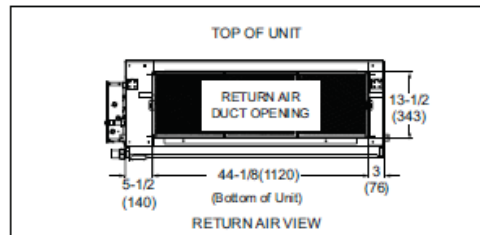
SECTION D-D



SECTION C-C



SECTION B-B



SECTION A-A