

Job: \_\_\_\_\_  
 Location: \_\_\_\_\_  
 Schedule No.: \_\_\_\_\_  
 System Designation: \_\_\_\_\_

Engineer: \_\_\_\_\_  
 Architect: \_\_\_\_\_  
 Location: \_\_\_\_\_  
 Date: \_\_\_\_\_

For:      Reference      Approval      Review      Construction

## Heat Recovery Outdoor Unit

### FEATURES

- Split coil heat exchanger
- Dual hinged electrical boxes for ease of maintenance
- High-efficiency vapor injection inverter compressor
- Intelligent Duty Cycle operation
- Night Silent operation
- Hinged service doors
- Built-in service console
- Built-in base pan heater
- Low Ambient Cooling

### WARRANTY

- Compressor - 10-year limited warranty
- All other components - 10-year limited warranty
- \*See warranty for details

### SPECIFICATIONS

#### PERFORMANCE

Cooling Capacity <sup>1</sup> (Btu/h)	Nominal	72,000
	Rated <sup>2</sup>	69000
EER	Ducted	13
	Non-Ducted	14.8
IEER	Ducted	22.8
	Non-Ducted	25.4
Simultaneous Heating and Cooling Efficiency (SCHE)	Ducted	27.8
	Non-Ducted	32.8
Heating Capacity <sup>1</sup> (Btu/h)		77,000
COP47	Ducted	3.84
	Non-Ducted	4.29
COP17	Ducted	2.57
	Non-Ducted	2.72

#### ELECTRICAL DATA

Power Supply (Volts/Phase/Hertz)	208-230/3/60
Minimum Circuit Ampacity (A)	49.9
Maximum Overcurrent Protection (A)	50
Compressor RLA (A)	35.5
Number of Compressors	1
Outdoor Fan Power Input (W)	680/780
Outdoor Fan FLA (A)	2.6/2.9

#### GENERAL DATA

Connection Ratio	50% to 130%
Maximum Number of Indoor Units	13
Refrigerant Type	R-410A
Factory Refrigerant Charge (each unit)	23.8 lbs.

### NOTES

1. Cooling and Heating capacity data is rated at the following conditions:  
 Cooling: 80°FDB / 67°FWB Indoor, 95°FDB Outdoor  
 Heating: 70°FDB Indoor, 47°FDB / 43°FWB Outdoor
2. Complies with AHRI 1230-2014 testing standards
3. Operating Voltage Range 175V to 263V
4. To achieve cooling lower than 5°F a Low ambient hood must be installed. This is purchased as an accessory.
5. A local 115V power outlet is available as an accessory to provide local power for maintenance.



### DIMENSIONS

Unit	Height	64-3/8
Dimensions (in)	Width	52-3/4
	Depth	31-1/2

#### Main System Piping (in)

Liquid Pipe Connection	5/8
High Pressure Gas Pipe	1-1/8
Low Pressure Gas Pipe	1-1/8

#### Balancing Pipework between Modules (in)

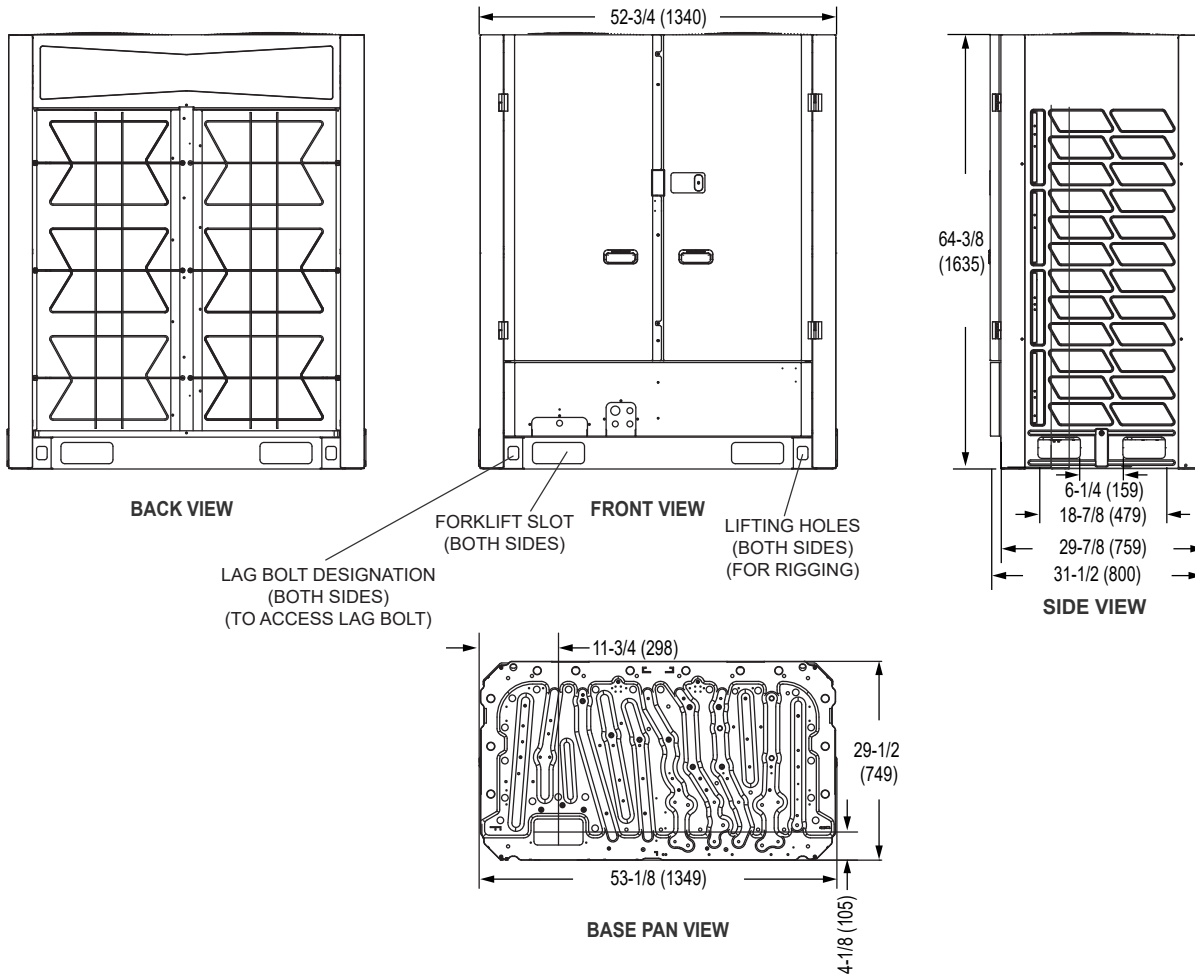
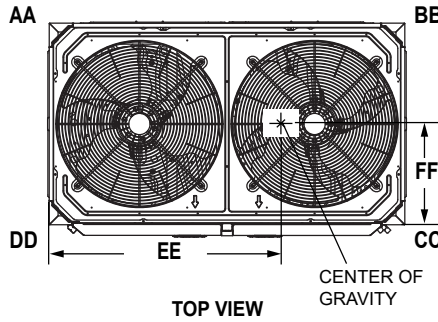
Gas Balance Pipe Connection	3/4
Oil Balance Pipe Connection	1/4
Unit Net Weight (lb)	794



NOTE - Due to Lennox' ongoing commitment to quality, Specifications, Ratings and Dimensions subject to change without notice and without incurring liability. Improper installation, adjustment, alteration, service or maintenance can cause property damage or personal injury. Installation and service must be performed by a qualified installer and servicing agency.

**DIMENSIONAL DRAWINGS - INCHES (MM)**

CORNER WEIGHTS								CENTER OF GRAVITY			
AA		BB		CC		DD		EE		FF	
lbs.	kg	lbs.	kg	lbs.	kg	lbs.	kg	in.	mm	in.	mm
121	55	203	92	211	96	251	114	27-3/4	705	12-1/4	311



NOTE - Due to Lennox' ongoing commitment to quality, Specifications, Ratings and Dimensions subject to change without notice and without incurring liability. Improper installation, adjustment, alteration, service or maintenance can cause property damage or personal injury. Installation and service must be performed by a qualified installer and servicing agency.