

Job: _____
 Location: _____
 Schedule No.: _____
 System Designation: _____

Engineer: _____
 Architect: _____
 Location: _____
 Date: _____
 For: Reference Approval Review Construction

Floor Standing Indoor Unit (Exposed)

FEATURES

- Pre Heat Function
- Electronic Expansion Valve
- Air Filter
- Refrigerant R-410A
- Auto Addressing
- High-Efficiency DC Motor
- Flare Connections
- Six Capacity Sizes from 7,500 to 24,000 Btu/h
- Auto Restart
- Receiver/Display Panel

WARRANTY

- 10-year limited warranty.*See warranty for details.

SPECIFICATIONS

PERFORMANCE

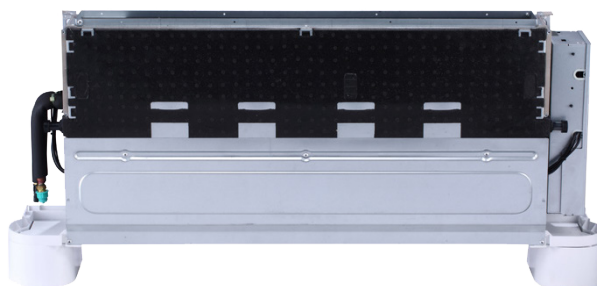
Cooling Capacity ¹ (Btu/h)	7,500
Heating Capacity ¹ (Btu/h)	8,200
Airflow (CFM)	Low/Medium/High 260/276/293
External Static Pressure (in. w.g.)	0-0.4
Sound (dBA)	Low/Medium/High 33.8/34.7/35.7

ELECTRICAL DATA

Power Supply (Volts/Hertz/Phase)	208-230/60/1
Minimum Circuit Ampacity (MCA) (A)	0.47
Maximum Overcurrent Protection (MOP) (A)	15
Cooling Power Input (W)	35
Cooling Rated Current (A)	0.3
Heating Power Input (W)	35
Heating Rated Current (A)	0.3
Indoor Fan Motor Input (W)	30

DIMENSIONS

Unit Dimensions (in)	Width	40-1/8
	Height	19-1/2
	Depth	7-7/8
Liquid Pipe Connection (in) (I.D.)		1/4
Gas Pipe Connection (in) (I.D.)		1/2
Drain Connection (in) (O.D.)		3/4
Net Weight (lb)		37
Shipping Weight (lb)		48



OPTIONAL ACCESSORIES

<input type="checkbox"/> Support Feet	V8VSA001-3P
<input type="checkbox"/> Hotel Keycard Interface	VOCTRL88P-1

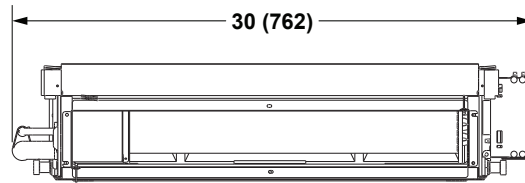
NOTES

1. Cooling and Heating capacity data is rated at the following conditions:
 Cooling: 80°FDB / 67°FWB Indoor, 95°FDB
 Outdoor Heating: 70°FDB Indoor, 47°FDB / 43°FWB
 Outdoor.

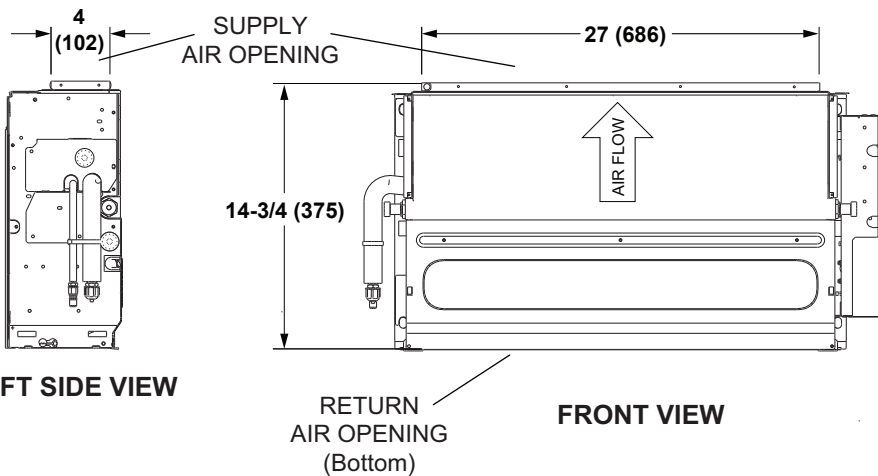


DIMENSIONAL DRAWINGS - INCHES (MM)

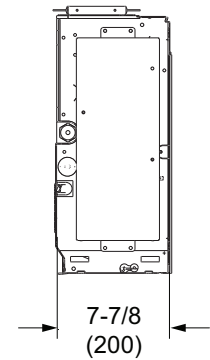
VSEA007H4



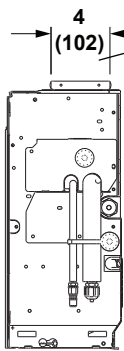
TOP VIEW



FRONT VIEW



RIGHT SIDE VIEW

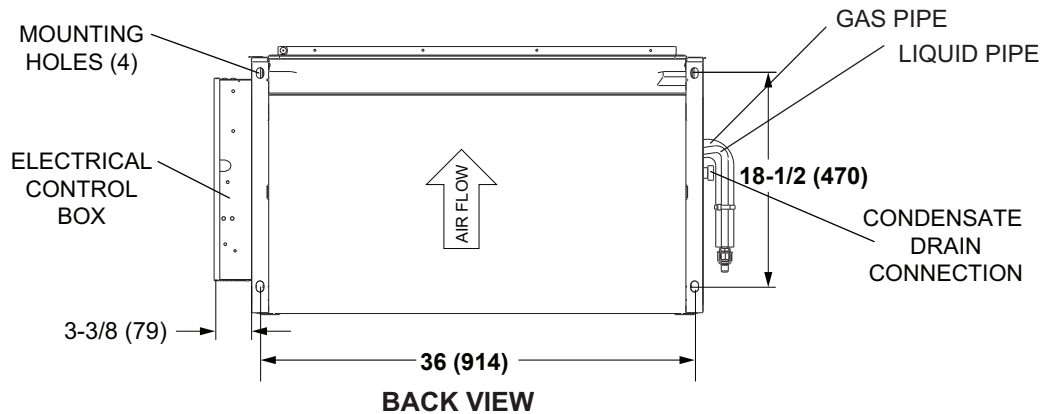


LEFT SIDE VIEW

NOTE - Optional Feet (not shown) add 3-1/2 in. (89 mm) to the overall height



BOTTOM VIEW



BACK VIEW