

Job: \_\_\_\_\_  
 Location: \_\_\_\_\_  
 Schedule No.: \_\_\_\_\_  
 System Designation: \_\_\_\_\_

Engineer: \_\_\_\_\_  
 Architect: \_\_\_\_\_  
 Location: \_\_\_\_\_  
 Date: \_\_\_\_\_  
 For:  Reference  Approval  Review  Construction

## Floor Standing Indoor Unit (Exposed)

### FEATURES

- Pre Heat Function
- Auto Addressing
- Auto Restart
- Electronic Expansion Valve
- High-Efficiency DC Motor
- Receiver/Display Panel
- Air Filter
- Flare Connections
- Refrigerant R-410A
- Six Capacity Sizes from 7,500 to 24,000 Btu/h

### WARRANTY

- 10-year limited warranty.\*See warranty for details.

### SPECIFICATIONS

#### PERFORMANCE

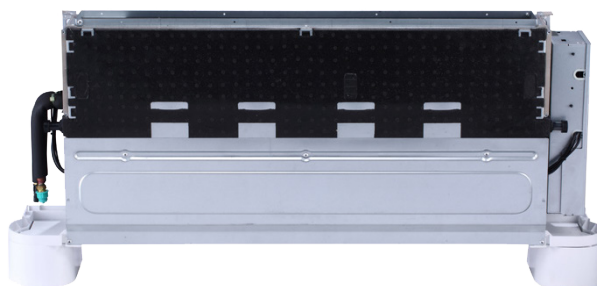
|                                       |                                |
|---------------------------------------|--------------------------------|
| Cooling Capacity <sup>1</sup> (Btu/h) | 9,500                          |
| Heating Capacity <sup>1</sup> (Btu/h) | 10,900                         |
| Airflow (CFM)                         | Low/Medium/High 260/276/293    |
| External Static Pressure (in. w.g.)   | 0-0.4                          |
| Sound (dBA)                           | Low/Medium/High 33.8/34.7/35.7 |

#### ELECTRICAL DATA

|  |              |
|--|--------------|
| Power Supply (Volts/Hertz/Phase)         | 208-230/60/1 |
| Minimum Circuit Ampacity (MCA) (A)       | 0.47         |
| Maximum Overcurrent Protection (MOP) (A) | 15           |
| Cooling Power Input (W)                  | 35           |
| Cooling Rated Current (A)                | 0.3          |
| Heating Power Input (W)                  | 35           |
| Heating Rated Current (A)                | 0.3          |
| Indoor Fan Motor Input (W)               | 30           |

#### DIMENSIONS

|                                    |        |        |
|------------------------------------|--------|--------|
| Unit Dimensions (in)               | Width  | 40-1/8 |
|                                    | Height | 19-1/2 |
|                                    | Depth  | 7-7/8  |
| Liquid Pipe Connection (in) (I.D.) |        | 1/4    |
| Gas Pipe Connection (in) (I.D.)    |        | 1/2    |
| Drain Connection (in) (O.D.)       |        | 3/4    |
| Net Weight (lb)                    |        | 37     |
| Shipping Weight (lb)               |        | 48     |



### OPTIONAL ACCESSORIES

|  |             |
|--|-------------|
| <input type="checkbox"/> Support Feet            | V8VSA001-3P |
| <input type="checkbox"/> Hotel Keycard Interface | VOCTRL88P-1 |

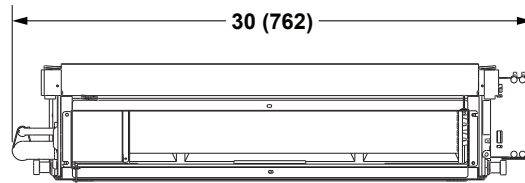
### NOTES

1. Cooling and Heating capacity data is rated at the following conditions:  
 Cooling: 80°FDB / 67°FWB Indoor, 95°FDB  
 Outdoor Heating: 70°FDB Indoor, 47°FDB / 43°FWB Outdoor.

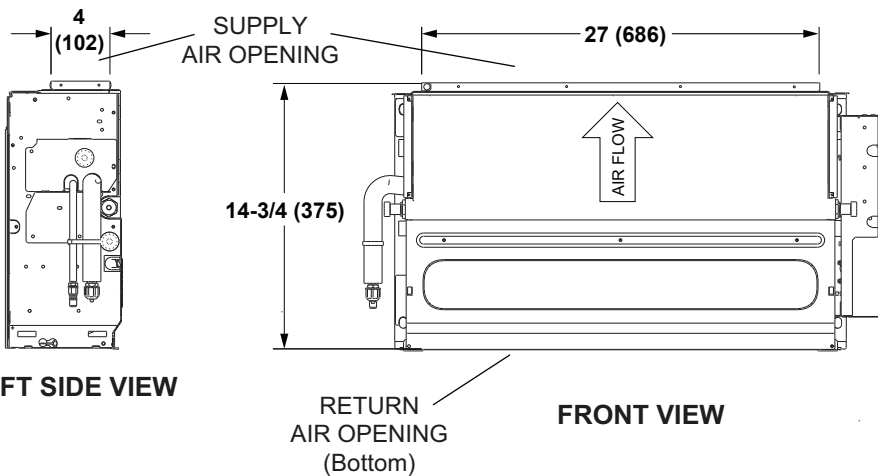


**DIMENSIONAL DRAWINGS - INCHES (MM)**

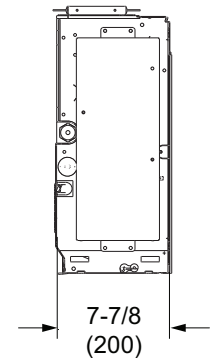
**VSEA009H4**



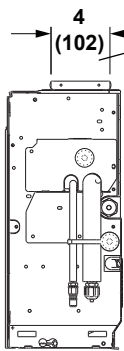
**TOP VIEW**



**FRONT VIEW**



**RIGHT SIDE VIEW**

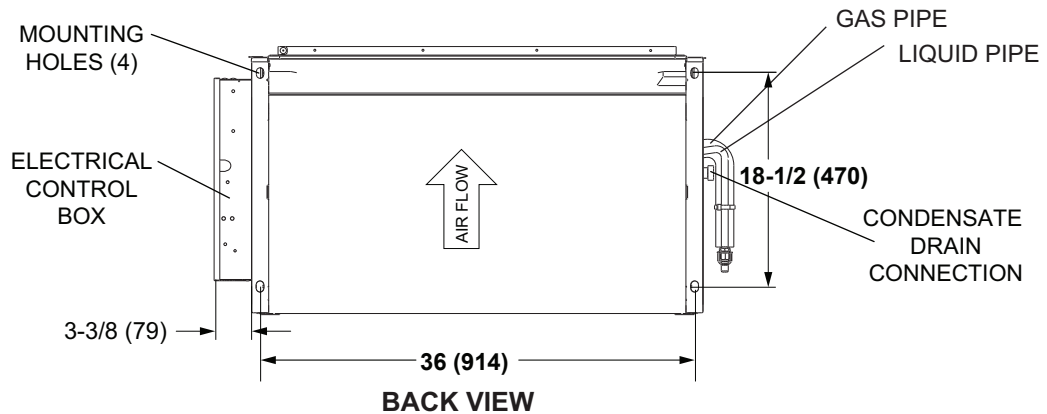


**LEFT SIDE VIEW**

NOTE - Optional Feet (not shown) add 3-1/2 in. (89 mm) to the overall height



**BOTTOM VIEW**



**BACK VIEW**

NOTE - Due to Lennox' ongoing commitment to quality, Specifications, Ratings and Dimensions subject to change without notice and without incurring liability. Improper installation, adjustment, alteration, service or maintenance can cause property damage or personal injury. Installation and service must be performed by a qualified installer and servicing agency.