

Job: _____
 Location: _____
 Schedule No.: _____
 System Designation: _____

Engineer: _____
 Architect: _____
 Location: _____
 Date: _____
 For: Reference Approval Review Construction

Floor Standing Indoor Unit (Exposed)

FEATURES

- Pre Heat Function
- Auto Addressing
- Auto Restart
- Electronic Expansion Valve
- High-Efficiency DC Motor
- Receiver/Display Panel
- Air Filter
- Flare Connections
- Refrigerant R-410A
- Six Capacity Sizes from 7,500 to 24,000 Btu/h

WARRANTY

- 10-year limited warranty.*See warranty for details.

SPECIFICATIONS

PERFORMANCE

Cooling Capacity ¹ (Btu/h)	12,000
Heating Capacity ¹ (Btu/h)	13,500
Airflow (CFM)	Low/Medium/High 249/288/319
External Static Pressure (in. w.g.)	0-0.4
Sound (dBA)	Low/Medium/High 32.4/35.3/37.7

ELECTRICAL DATA

Power Supply (Volts/Hertz/Phase)	208-230/60/1
Minimum Circuit Ampacity (MCA) (A)	0.5
Maximum Overcurrent Protection (MOP) (A)	15
Cooling Power Input (W)	40
Cooling Rated Current (A)	0.3
Heating Power Input (W)	41
Heating Rated Current (A)	0.3
Indoor Fan Motor Input (W)	30

DIMENSIONS

Unit Dimensions (in)	Width	36
	Height	14-3/4
	Depth	7-7/8
Liquid Pipe Connection (in) (I.D.)		1/4
Gas Pipe Connection (in) (I.D.)		1/2
Drain Connection (in) (O.D.)		3/4
Net Weight (lb)		40
Shipping Weight (lb)		49



OPTIONAL ACCESSORIES

- Support Feet V8VSA001-3P
- Hotel Keycard Interface VOCTRL88P-1

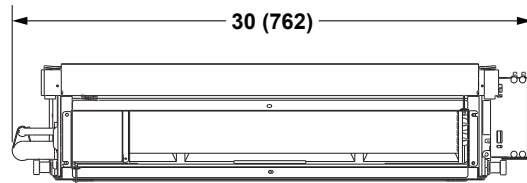
NOTES

1. Cooling and Heating capacity data is rated at the following conditions:
 Cooling: 80°FDB / 67°FWB Indoor, 95°FDB
 Outdoor Heating: 70°FDB Indoor, 47°FDB / 43°FWB
 Outdoor.

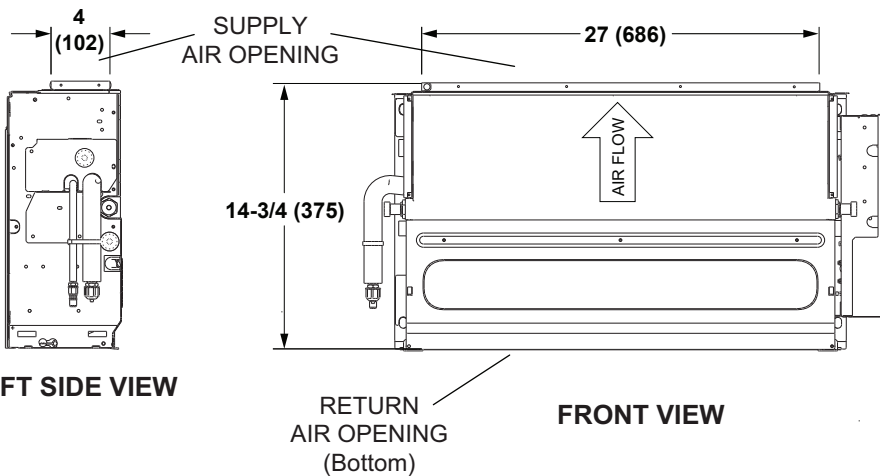


DIMENSIONAL DRAWINGS - INCHES (MM)

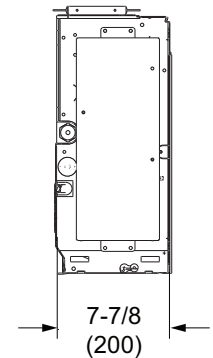
VSEA012H4



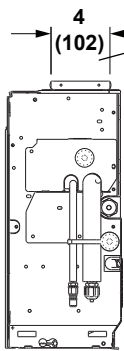
TOP VIEW



FRONT VIEW



RIGHT SIDE VIEW

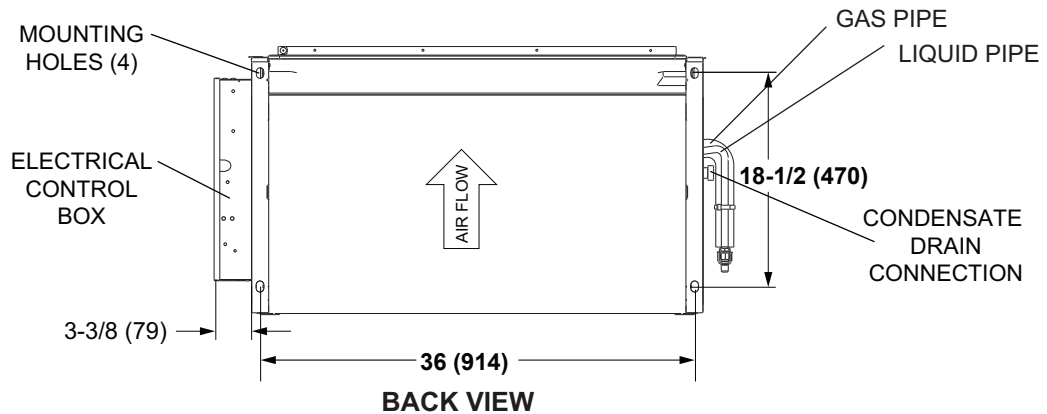


LEFT SIDE VIEW

NOTE - Optional Feet (not shown) add 3-1/2 in. (89 mm) to the overall height



BOTTOM VIEW



BACK VIEW

NOTE - Due to Lennox' ongoing commitment to quality, Specifications, Ratings and Dimensions subject to change without notice and without incurring liability. Improper installation, adjustment, alteration, service or maintenance can cause property damage or personal injury. Installation and service must be performed by a qualified installer and servicing agency.