

Job: _____
 Location: _____
 Schedule No.: _____
 System Designation: _____

Engineer: _____
 Architect: _____
 Location: _____
 Date: _____
 For: Reference Approval Review Construction

Floor Standing Indoor Unit (Exposed)

FEATURES

- Pre Heat Function
- Auto Addressing
- Auto Restart
- Electronic Expansion Valve
- High-Efficiency DC Motor
- Receiver/Display Panel
- Air Filter
- Flare Connections
- Refrigerant R-410A
- Six Capacity Sizes from 7,500 to 24,000 Btu/h

WARRANTY

- 10-year limited warranty.*See warranty for details.

SPECIFICATIONS

PERFORMANCE

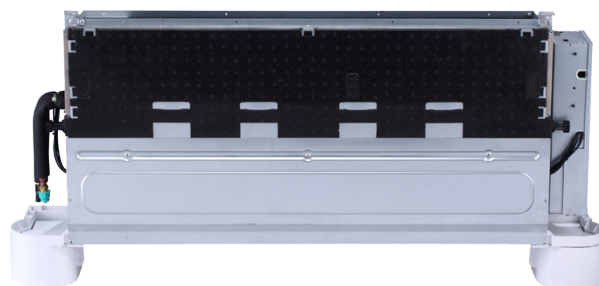
| | | |
|---------------------------------------|-----------------|----------------|
| Cooling Capacity ¹ (Btu/h) | | 19,000 |
| Heating Capacity ¹ (Btu/h) | | 21,000 |
| Airflow (CFM) | Low/Medium/High | 374/431/468 |
| External Static Pressure (in. w.g.) | | 0-0.4 |
| Sound (dBA) | Low/Medium/High | 35.7/37.4/38.6 |

ELECTRICAL DATA

| | |
|--|--------------|
| Power Supply (Volts/Hertz/Phase) | 208-230/60/1 |
| Minimum Circuit Ampacity (MCA) (A) | 0.57 |
| Maximum Overcurrent Protection (MOP) (A) | 151 |
| Cooling Power Input (W) | 45 |
| Cooling Rated Current (A) | 0.4 |
| Heating Power Input (W) | 47 |
| Heating Rated Current (A) | 0.4 |
| Indoor Fan Motor Input (W) | 60 |

DIMENSIONS

| | | |
|------------------------------------|--------|-----------------------------------|
| Unit Dimensions (in) | Width | 1 J $\frac{1}{8}$ - $\frac{1}{8}$ |
| | Height | 1 I $\frac{1}{8}$ - $\frac{1}{8}$ |
| | Depth | 7-7/8 |
| Liquid Pipe Connection (in) (I.D.) | | 1/4 |
| Gas Pipe Connection (in) (I.D.) | | 1/2 |
| Drain Connection (in) (O.D.) | | 3/4 |
| Net Weight (lb) | | 55 |
| Shipping Weight (lb) | | 68 |



OPTIONAL ACCESSORIES

| | |
|--|-------------|
| <input type="checkbox"/> Support Feet | V8VSA001-3P |
| <input type="checkbox"/> Hotel Keycard Interface | VOCTRL88P-1 |

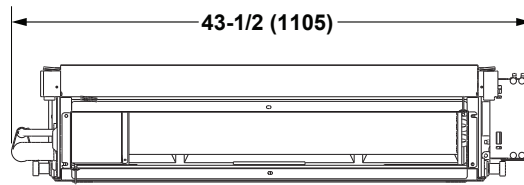
NOTES

1. Cooling and Heating capacity data is rated at the following conditions:
 Cooling: 80°FDB / 67°FWB Indoor, 95°FDB
 Outdoor Heating: 70°FDB Indoor, 47°FDB / 43°FWB Outdoor.

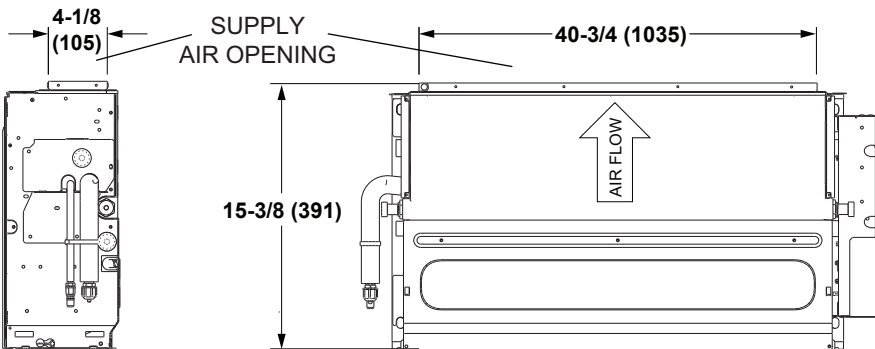


DIMENSIONAL DRAWINGS - INCHES (MM)

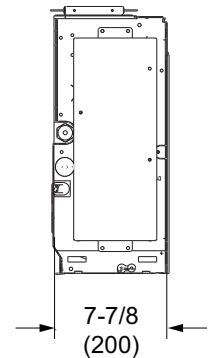
VSEA018H4



TOP VIEW



FRONT VIEW



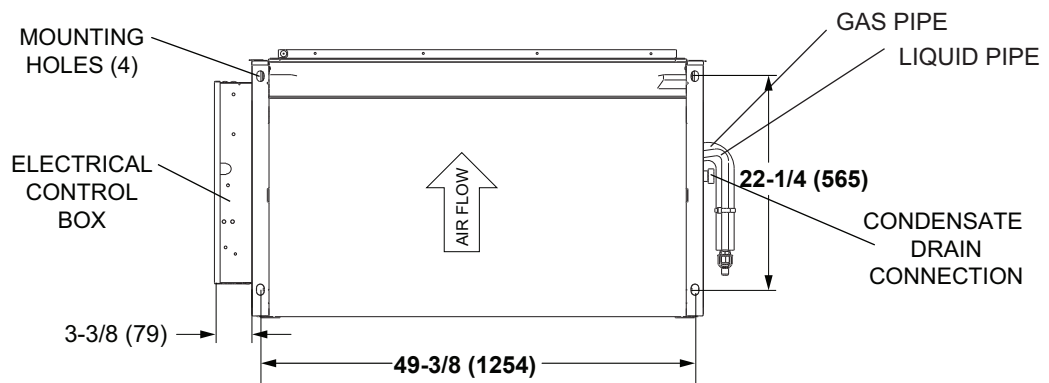
RIGHT SIDE VIEW

LEFT SIDE VIEW

NOTE - Optional Feet (not shown) add 3-1/2 in. (89 mm) to the overall height



BOTTOM VIEW



BACK VIEW