

Job: _____
 Location: _____
 Schedule No.: _____
 System Designation: _____

Engineer: _____
 Architect: _____
 Location: _____
 Date: _____
 For: Reference Approval Review Construction

Vertical Air Handler Ducted Indoor Unit

FEATURES

- Pre Heat Function
- Auto Addressing
- Auto Restart
- Optional Electric Heat
- Electronic Expansion Valve
- High-Efficiency DC Motor
- Four Built-In Dry Contacts Relays
- Brazed Connections
- Refrigerant R-410A
- Eight Capacity Sizes from 12,000 to 60,000 Btu/h

WARRANTY

- 10-year limited warranty.*See warranty for details.

SPECIFICATIONS

PERFORMANCE

Cooling Capacity ¹ (Btu/h)		12,000
Heating Capacity ¹ (Btu/h)		13,500
Airflow (CFM)	Low/Medium/High	320/320/400
External Static Pressure (in. WC)		0~0.8
Sound Pressure (dBA)	Low/Medium/High	34.7/35/39.4
Vertical Install		
Sound Pressure (dBA)	Low/Medium/High	32.3/32.1/35.4
Horizontal Install		

ELECTRICAL DATA

Power Supply (Volts/ Phase/Hertz)	208/230V-1Ph-60Hz
Minimum Circuit Ampacity (MCA)	1.5
Max. Overcurrent Protection (MOCP)	15
Cooling Power Input ² (W)	34
Cooling Rated Current (A)	0.5
Heating Power Input ² (W)	34
Heating Rated Current (A)	0.5
Indoor Fan Motor Input (W)	43(H:50Pa)

DIMENSIONS

Unit Dimensions (in)	Height	45-3/4
	Width	19-3/4
	Depth	21-5/8
Liquid Pipe Connection (in)		1/4
Gas Pipe Connection (in)		1/2
Condensate Drain Connection (in)		3/4 NPT(I.D.)
Unit Shipping Weight (lb)		143
Unit Net Weight (lb)		119



ELECTRIC HEATER

- 5 kW (V8EH0050P-1P)
 7.5 kW (V8EH0080P-1P)

OPTIONAL ACCESSORIES

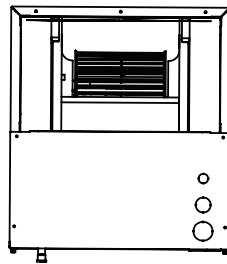
<input type="checkbox"/> Non-Programmable Controller	VOSTAT54P-3
<input type="checkbox"/> Programmable Wired Controller	VOSTAT51P-3
<input type="checkbox"/> Infrared Wireless Controller	VOSTAT52P-1
<input type="checkbox"/> Occupancy Sensor	VOSNSR78P-3
<input type="checkbox"/> Hotel Keycard Interface	VOCTRL88P-1
<input type="checkbox"/> HHE Relay Kit	VOCTRL92P-3
<input type="checkbox"/> Condensate Pumps (Reference Condensate Pump Selection Guide)	-

NOTES

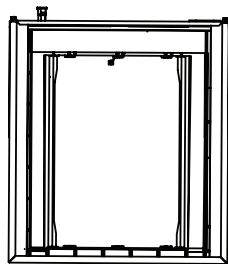
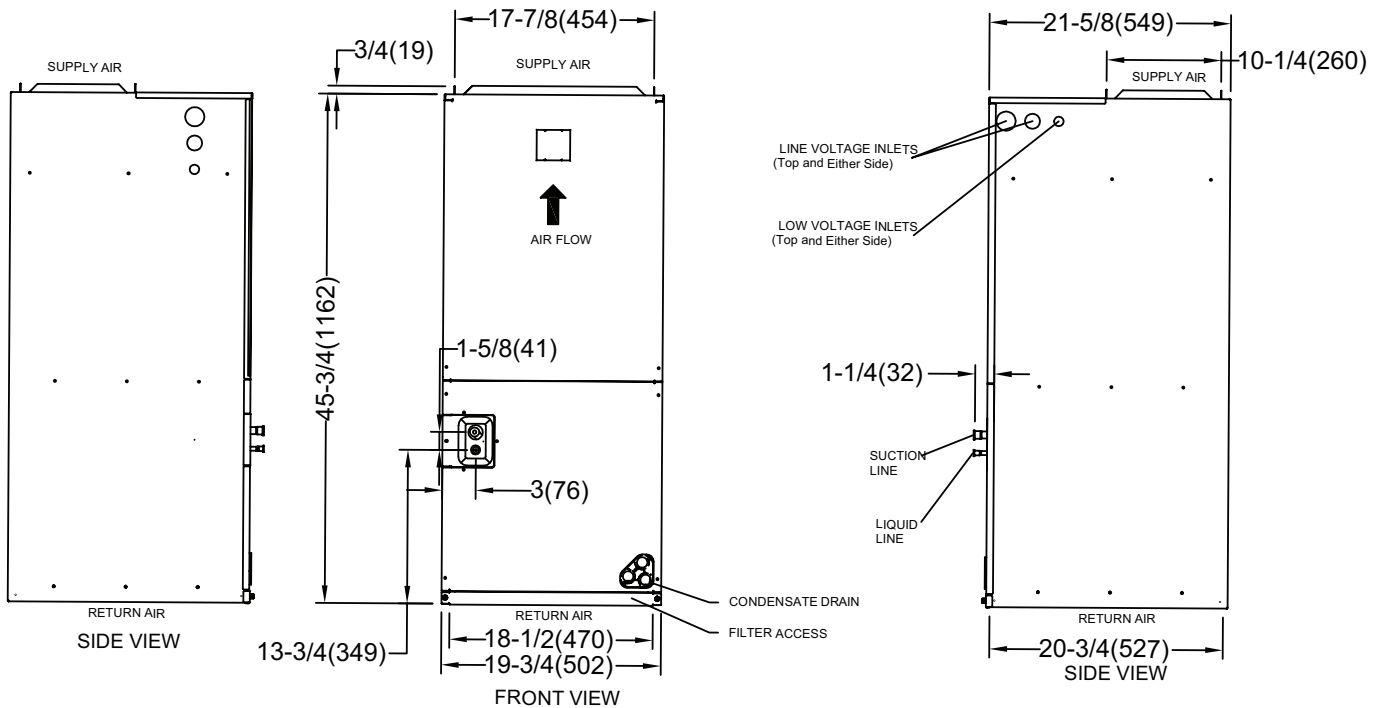
- Cooling and Heating capacity data is rated at the following conditions:
 Cooling: 80°FDB / 67°FWB Indoor, 95°FDB
 Outdoor Heating: 70°FDB Indoor, 47°FDB / 43°FWB Outdoor.
- Power Input values are rated at high fan speed.



DIMENSIONAL DRAWINGS - INCHES (MM)



TOP VIEW



BOTTOM VIEW