

Job: _____
 Location: _____
 Schedule No.: _____
 System Designation: _____

Engineer: _____
 Architect: _____
 Location: _____
 Date: _____

For: Reference Approval Review Construction

Vertical Air Handler Ducted Indoor Unit

FEATURES

- Pre Heat Function
- Auto Addressing
- Auto Restart
- Optional Electric Heat
- Electronic Expansion Valve
- High-Efficiency DC Motor
- Four Built-In Dry Contacts Relays
- Brazed Connections
- Refrigerant R-410A
- Eight Capacity Sizes from 12,000 to 60,000 Btu/h

WARRANTY

- 10-year limited warranty.*See warranty for details.

SPECIFICATIONS

PERFORMANCE

| | | |
|---------------------------------------|-----------------|----------------|
| Cooling Capacity ¹ (Btu/h) | | 12,000 |
| Heating Capacity ¹ (Btu/h) | | 13,500 |
| Airflow (CFM) | Low/Medium/High | 320/320/400 |
| External Static Pressure (in. WC) | | 0~0.8 |
| Sound Pressure (dBA) | Low/Medium/High | 34.7/35/39.4 |
| Vertical Install | | |
| Sound Pressure (dBA) | Low/Medium/High | 32.3/32.1/35.4 |
| Horizontal Install | | |

ELECTRICAL DATA

| | |
|--------------------------------------|-------------------|
| Power Supply (Volts/ Phase/Hertz) | 208/230V-1Ph-60Hz |
| Minimum Circuit Ampacity (MCA) | 1.5 |
| Max. Overcurrent Protection (MOCP) | 15 |
| Cooling Power Input ² (W) | 34 |
| Cooling Rated Current (A) | 0.5 |
| Heating Power Input ² (W) | 34 |
| Heating Rated Current (A) | 0.5 |
| Indoor Fan Motor Input (W) | 43(H:50Pa) |

DIMENSIONS

| | | |
|----------------------------------|--------|---------------|
| Unit Dimensions (in) | Height | 45-3/4 |
| | Width | 19-3/4 |
| | Depth | 21-5/8 |
| Liquid Pipe Connection (in) | | 1/4 |
| Gas Pipe Connection (in) | | 1/2 |
| Condensate Drain Connection (in) | | 3/4 NPT(I.D.) |
| Unit Shipping Weight (lb) | | 143 |
| Unit Net Weight (lb) | | 119 |

NOTES

1. Cooling and Heating capacity data is rated at the following conditions:
 Cooling: 80°FDB / 67°FWB Indoor, 95°FDB
 Outdoor Heating: 70°FDB Indoor, 47°FDB / 43°FWB Outdoor.
2. Power Input values are rated at high fan speed.



ELECTRIC HEATER

5 kW (V8EH0050P-1P)

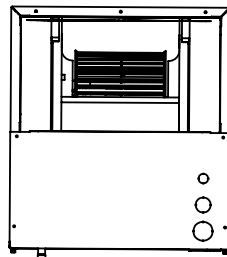
7.5 kW (V8EH0080P-1P)

OPTIONAL ACCESSORIES

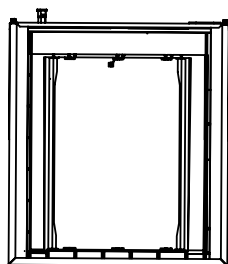
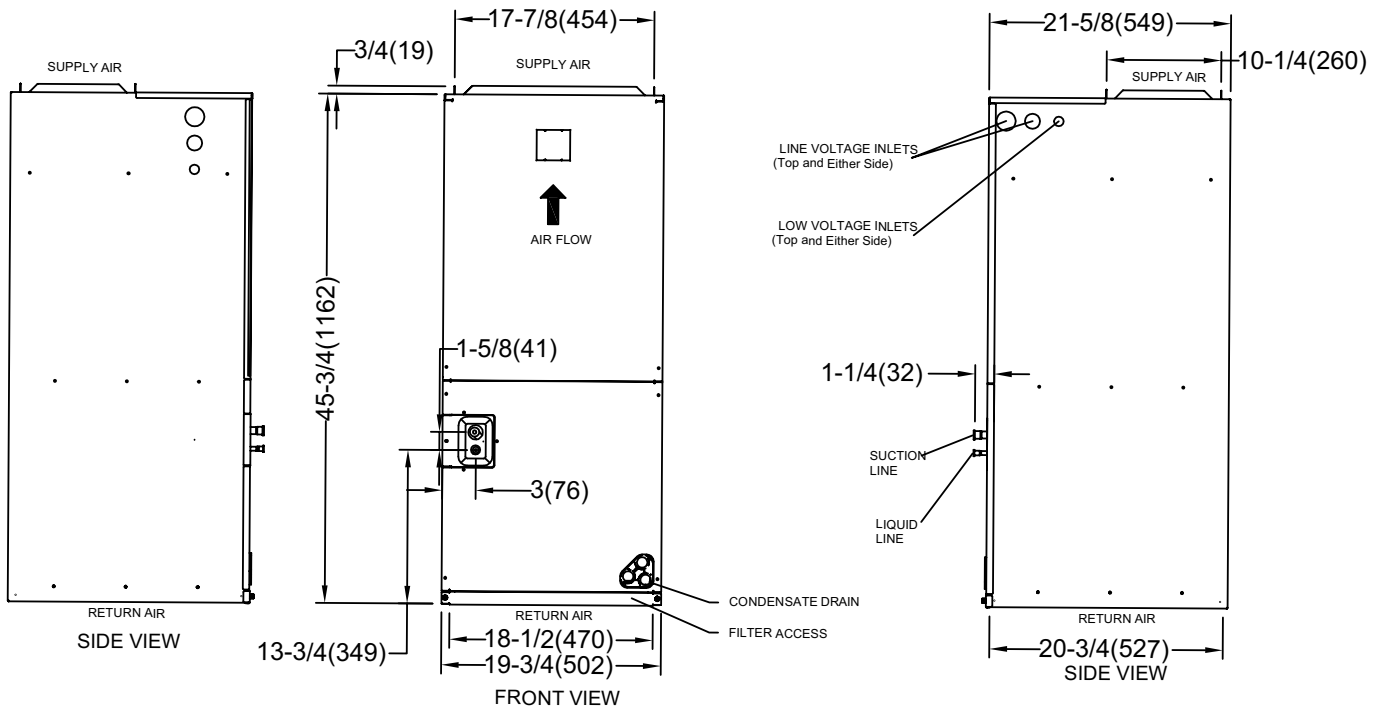
| | |
|--|-------------|
| Non-Programmable Controller | V0STAT54P-3 |
| Programmable Wired Controller | V0STAT51P-3 |
| Infrared Wireless Controller | V0STAT52P-1 |
| Occupancy Sensor | V0SNSR78P-3 |
| Hotel Keycard Interface | V0CTRL88P-1 |
| HHE Relay Kit | V0CTRL92P-3 |
| Condensate Pumps (Reference Condensate Pump Selection Guide) | - |



DIMENSIONAL DRAWINGS - INCHES (MM)



TOP VIEW



BOTTOM VIEW