

SERVICE AND APPLICATION NOTES

October 10, 2011
Re-issued 11-29-2011
H-11-05

SLP98DFV Units Failure To Calibrate Code 228

We have received reports of SLP98DFV units displaying code 228 (Failure to Calibrate). If after verifying the unit set up, drainage, and vent pipe sizing, according to specifications in the unit installation instructions, continues to give a 228 code, we are recommending replacement of the cold end header box and pressure switch on these units. See Table 1 for catalog numbers. These parts will be ordered under normal warranty terms. The cold end header box replacement kit includes a heat plate, foam blanket and self drilling screws. See figure 1 for cold end header box and figure 2 for pressure switch replacement.

Table 1

SLP98DFV-01, -02 and -03 Model Units	Cold end header box kit	Pressure switch 0 - 7500 ft	Pressure Switch 7501 - 10,000 ft
070	86W25	74W36 or 80W69	80W68
090	86W26		
110	86W27		

NOTE - Instructions included in kit.

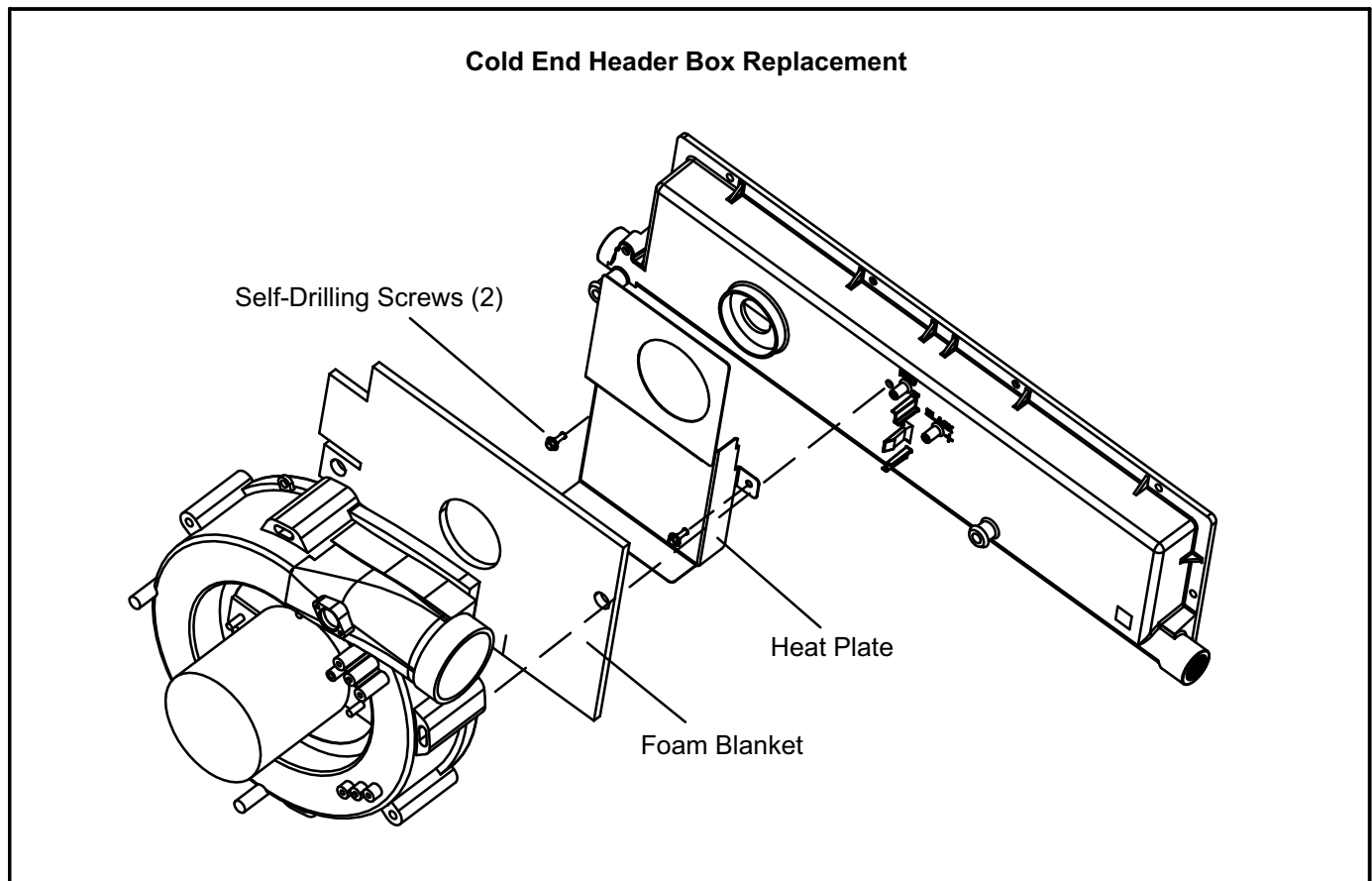
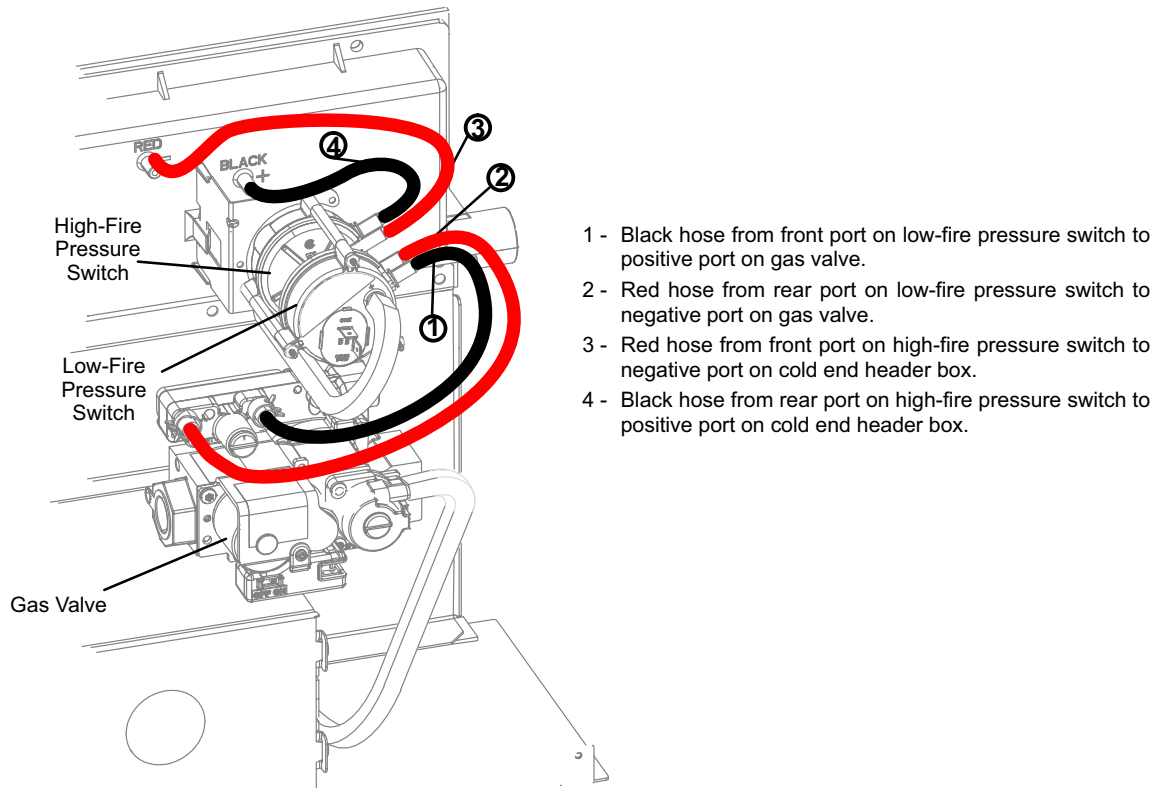


FIGURE 1

Pressure Switch Replacement



- 1 - Black hose from front port on low-fire pressure switch to positive port on gas valve.
- 2 - Red hose from rear port on low-fire pressure switch to negative port on gas valve.
- 3 - Red hose from front port on high-fire pressure switch to negative port on cold end header box.
- 4 - Black hose from rear port on high-fire pressure switch to positive port on cold end header box.

FIGURE 2