

# SERVICE AND APPLICATION NOTES

October 10, 2012

H-12-11

## G43/G51/G61/G71 Cold End Header Box Replacement For 045 and 070 Unit Sizes

We have increased the size of the negative pressure port on the replacement CEHB for these input furnaces. The new larger port has tested successfully in not plugging during operation. Each new replacement CEHB kit (figure 1) includes a new CEHB with the larger port, a larger pressure switch hose for connecting to the port and an adaptor fitting to transition to the original pressure switch tubing in the furnace. Table 1 shows which kit to order based on model family, unit input and dash number.

This Service and Application Note supersedes Corp. 0901-L11 (H-09-01) for the 045 and 070 unit sizes only. For all other units sizes, Service and Application Note H-09-01 still applies.

If you have any questions, please contact Lennox Technical Support at (800) 453-6669.

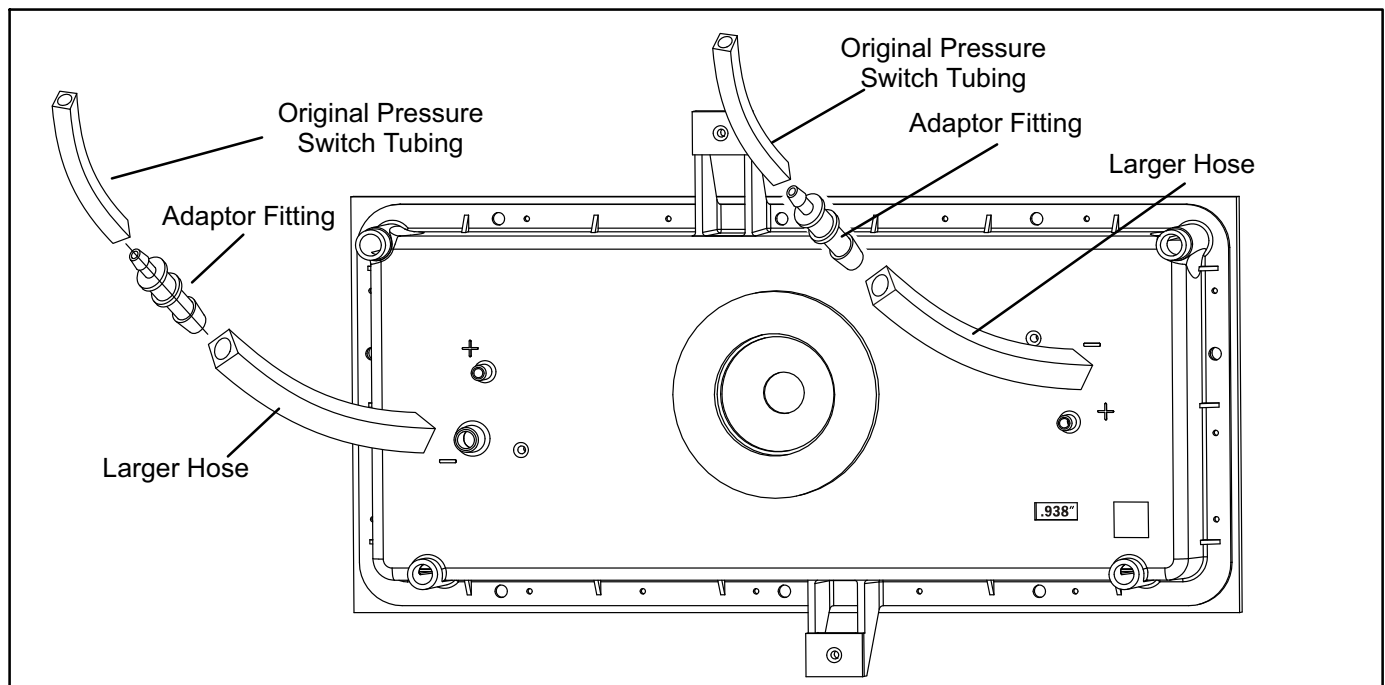


FIGURE 1

**Table 1**

<b>Catalog Number</b>	<b>Model &amp; Dash Number</b>
95W60	G51-045-07
95W61	G61MPV-045-01, -06, -07, -10, -11, -12 G61MP-045-01, -06, -07, -09
95W62	G51MP-045, -01, -02, -03, -06
95W63	G51MP-070-07, -08
95W64	G61MPV-070-01, -06, -07, -10, -11, -12 G61MP-070-01, -06, -07, -09 G61MPVT-070-01
95W65	G51MP-070-01, -02, -03, -06
95W66	G61MPVT-071-08, -10, -11, -12
95W67	G61MP-071-07, -09
92W26	G43UF-045, -01, -03, -04, -05, -06
92W27	G43UF-045-07, -08
92W28	G43UF-070-01, -03, -04, -05, -06
92W29	G43UF-070-07, -08
92W30	G71MPP-070