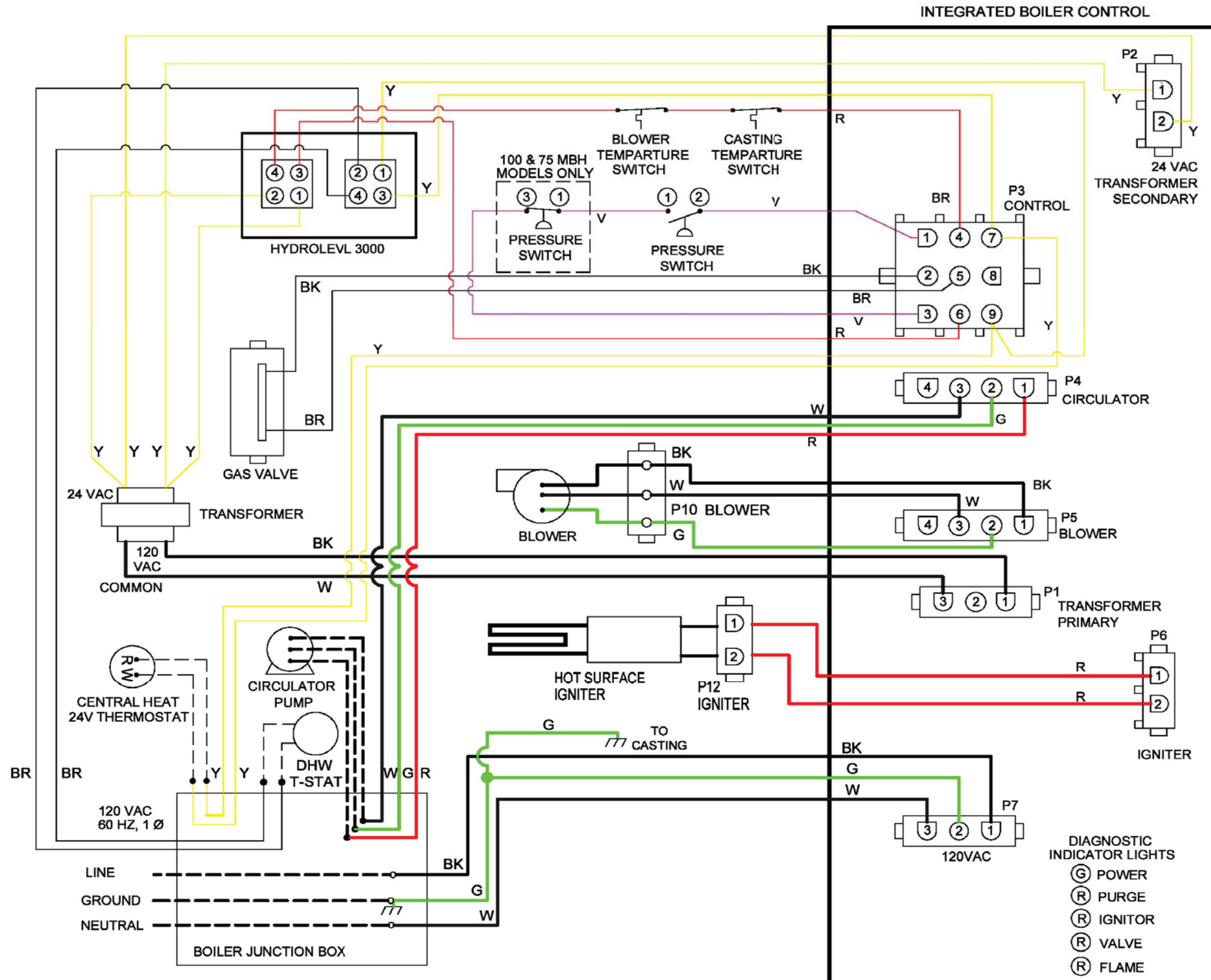


WIRING DIAGRAM



(NOTE: USE COPPER CONDUCTORS ONLY)

P/N: 240010137
REVISION: D

LADDER DIAGRAM

