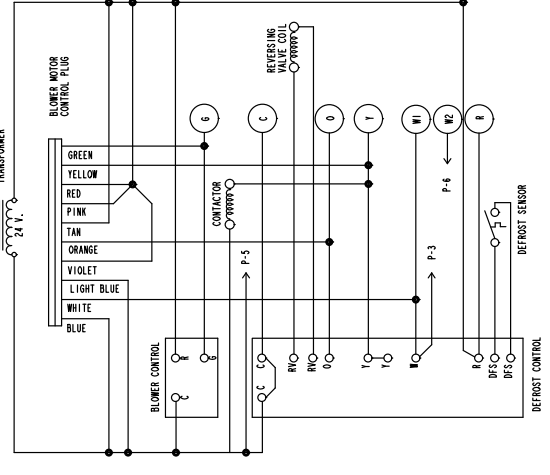
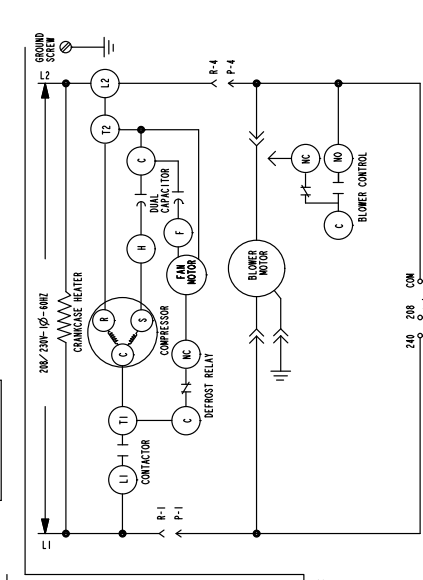
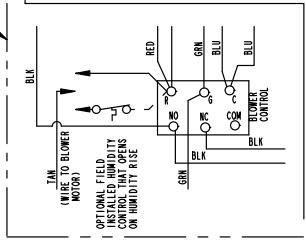


\*\*VIOLET & PINK WIRES ARE TO BE CUT FOR THESE MODELS ONLY:  
PH12 (A OR B) 1-30  
CHP26-030

\*\*W1 CAN BE USED IN STAGE 15 & 20 IN MODELS  
\*\*W2 CAN BE USED IN STAGE 15 & 20 IN MODELS  
\*\*W3 IS 1/2 IN HEATER ACCESSORIES  
\*\*FUNCTION OFF W1 ONLY



Allied engineering original drawing  
Cut size: 10" X 5"  
Black ink on white vinyl