



# SUBMITTAL DATA - MINI-SPLIT SYSTEMS

## MS7-CO-09L + MS7-CI-09L

### Single Zone Air Conditioner

Job: \_\_\_\_\_  
 Location: \_\_\_\_\_  
 Engineer: \_\_\_\_\_  
 Schedule No.: \_\_\_\_\_  
 System Designation: \_\_\_\_\_

Engineer: \_\_\_\_\_  
 Architect: \_\_\_\_\_  
 Location: \_\_\_\_\_  
 Date: \_\_\_\_\_  
 For:  Reference  Approval  Review  Construction

#### FEATURES

- Variable Frequency Rotary Compressor
- DC Inverter Control
- Outdoor Unit Microprocessor
- High Pressure Discharge Temperature Protection
- R-410A Refrigerant
- Intelligent Power Module (IPM) Protection
- Low Voltage Protection
- Indoor Coil Freeze Protection
- Indoor Unit Microprocessor
- Oscillating Air Deflection Louvers
- Turbo Function Blower
- Wireless Remote Control

#### PRODUCT WARRANTY

Compressor - limited warranty for five years.

All other covered components - five years in residential installations and one year in non-residential installations.

#### OUTDOOR UNIT - MS7-CO-09L

Nominal Tonnage		0.75
SEER/EER		22.0 / 14.2
AHRI Reference No.		4733645
Cooling Capacity (Btuh)	High	10,600
	Standard	9,000
	Low	4,435
Outdoor Temp. Operating Range		41°F to 115°F
Connections (in.)	Small line o.d. - flare	1/4
	Large line o.d. - flare	3/8
Refrigerant (R-410A) furnished		2 lbs. 6 oz.
Outdoor Fan Motor	Diameter - in.	15-5/8
	No. of blades	3
	Cfm	1120
	Rpm	900/650
	Watts	40
Shipping Data - lbs.		91

#### ELECTRICAL DATA

Line voltage data - 60 hz - 1ph		115V
Maximum overcurrent protection (amps)		25
	Minimum circuit ampacity	15
	Compressor	33
	Rated load amps	4.6
Compressor Inverter Frequency (hz)	High	70
	Standard	41
	Low	15
Compressor Power Input (W)	High	1050
	Standard	640
	Low	180
Outdoor Fan Motor	Rated load amps	0.17
	Output (W)	40
Rated Amps	High	16.8
	Standard	7.0

#### OPTIONAL ACCESSORIES - OUTDOOR

Description	Cat. No.	
Condenser Pad (18 x 36 x 2)	48X92	
Disconnects	30 amp, fused, 1 ph	27P37
	60 amp, non-fused, 1 ph	27P39
Fuses	30A	83P75
	60A	83P77
Line Sets	1/4 in. x 3/8 in. x 50 ft.	X0258
Male Flare Adaptor	5/16 in. quick connect x 1/4 in. MF	Y0576
Wall Bracket	Type 2 - Up to 220 lbs.	Y3400
Whips	10 Gauge - 1/2 in. x 6 ft.	29P54
	8 Gauge - 3/4 in. x 6 ft.	27P44

#### INDOOR UNIT - MS7-CI-09L

Connections (in.)	Small line o.d. - flare	1/4
	Large line o.d. - flare	3/8
Indoor Blower Air Volume (cfm)	Turbo	330
	High	295
	Medium	255
	Low	220
Indoor Temp. Operating Range		64°F to 90°F
Indoor Blower	Diameter x Length	3.6 x 25.4
	Type	Cross flow
Shipping Data - lbs.		31

#### ELECTRICAL DATA

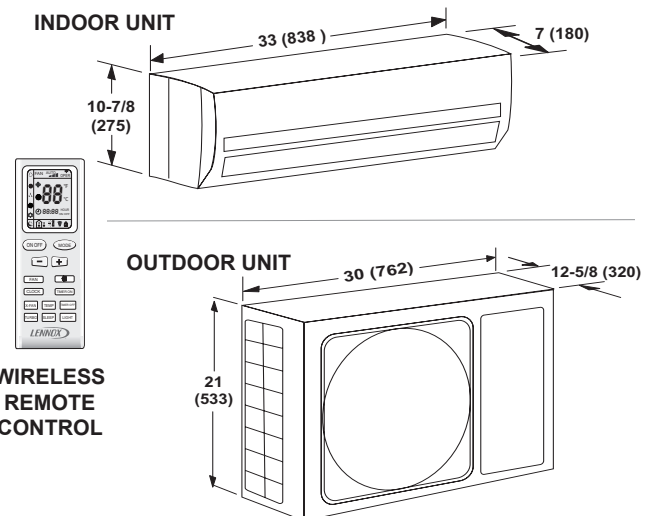
Line voltage data - 60 hz - 1ph	115V
Rated Load Amps	0.38
Output (W)	20

#### OPTIONAL ACCESSORIES - INDOOR

Description	Cat. No.
Condensate Pump, 3.70 US gallons per hour, 33 ft. lift, 115V	X8250
Condensate Mini-Split Drain Line - 5/8 in. I.D. 160 ft	Y3401
Indoor/Outdoor Wiring Cable - 14 Gauge, 4 conductor wire, THHN, 250 ft.	Y2067

#### SOUND DATA (Sound Rating Number dBA)

Outdoor Unit Pressure	53		
Indoor Unit Pressure	Low	Medium	High
	26	30	34



NOTE - Due to Lennox' ongoing commitment to quality, Specifications, Ratings and Dimensions subject to change without notice and without incurring liability. Improper installation, adjustment, alteration, service or maintenance can cause property damage or personal injury. Installation and service must be performed by a qualified installer and servicing agency.

495001 (201111)

©2011 Lennox Industries Inc.