



# SUBMITTAL DATA - MINI-SPLIT SYSTEMS

## MS7-CO-18P + MS7-CI-18P

### Single Zone Air Conditioner

**Job:** \_\_\_\_\_  
**Location:** \_\_\_\_\_  
**Engineer:** \_\_\_\_\_  
**Schedule No.:** \_\_\_\_\_  
**System Designation:** \_\_\_\_\_

**Engineer:** \_\_\_\_\_  
**Architect:** \_\_\_\_\_  
**Location:** \_\_\_\_\_  
**Date:** \_\_\_\_\_  
**For:**  Reference  Approval  Review  Construction

#### FEATURES

- Variable Frequency Rotary Compressor
- DC Inverter Control
- Outdoor Unit Microprocessor
- High Pressure Discharge Temperature Protection
- R-410A Refrigerant
- Intelligent Power Module (IPM) Protection
- Low Voltage Protection
- Indoor Coil Freeze Protection
- Indoor Unit Microprocessor
- Oscillating Air Deflection Louvers
- Turbo Function Blower
- Wireless Remote Control

#### PRODUCT WARRANTY

Compressor - limited warranty for five years.  
 All other covered components - five years in residential installations and one year in non-residential installations.

#### OUTDOOR UNIT - MS7-CO-18P

Nominal Tonnage	1.5	
SEER/EER	18.0 / 12.0	
AHRI Reference No.	4733649	
Cooling Capacity (Btuh)	High	22,350
	Standard	18,000
	Low	6,000
Outdoor Temp. Operating Range		41°F to 115°F
Connections (in.)	Small line o.d. - flare	1/4
	Large line o.d. - flare	1/2
Refrigerant (R-410A) furnished		3 lbs. 2 oz.
Outdoor Fan Motor	Diameter - in.	20
	No. of blades	3
	Cfm	1885
	Rpm	690/500
	Watts	60
Shipping Data - lbs.		121

#### ELECTRICAL DATA

Line voltage data - 60 hz - 1ph		208/230V
Maximum overcurrent protection (amps)		25
Minimum circuit ampacity		14
Compressor	Locked rotor amps	41
	Rated load amps	8.4
Compressor Power Input (W)		1640
Outdoor	Rated load amps	0.62
Fan Motor	Output (W)	60
Rated Amps		12

#### OPTIONAL ACCESSORIES - OUTDOOR

Description	Cat. No.	
Condenser Pad (18 x 36 x 2)	48X92	
Disconnects	30 amp, fused, 1 ph	27P37
	60 amp, non-fused, 1 ph	27P39
Fuses	30A	83P75
	60A	83P77
Line Sets	1/4 in. x 1/2 in. x 25 ft.	90X52
	1/4 in. x 1/2 in. x 50 ft.	X0259
Male Flare Adaptor	5/16 in. quick connect x 1/4 in. MF	Y0576
Wall Bracket	Type 2 - Up to 220 lbs.	Y3400
Whips	10 Gauge - 1/2 in. x 6 ft.	29P54
	8 Gauge - 3/4 in. x 6 ft.	27P44

#### INDOOR UNIT - MS7-CI-18P

Connections (in.)	Small line o.d. - flare	1/4
	Large line o.d. - flare	1/2
Indoor Blower	Turbo	500
Air Volume (cfm)	High	460
	Medium	380
	Low	325
Indoor Temp. Operating Range		64°F to 90°F
Indoor Blower	Diameter x Length	3.9 x 28
	Type	Cross flow
Shipping Data - lbs.		31

#### ELECTRICAL DATA

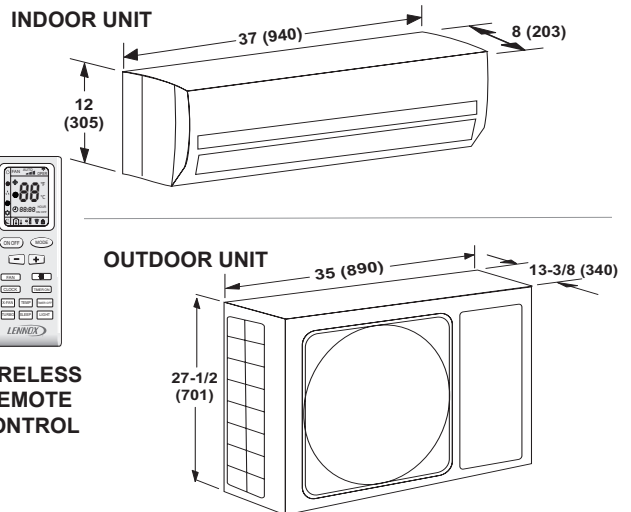
Line voltage data - 60 hz - 1ph		208/230V
Rated Load Amps		0.25
Output (W)		20

#### OPTIONAL ACCESSORIES - INDOOR

Description	Cat. No.
Condensate Pump, 3.70 US gallons per hour, 33 ft. lift, 230V	X8251
Condensate Mini-Split Drain Line - 5/8 in. I.D. 160 ft	Y3401
Indoor/Outdoor Wiring Cable - 14 Gauge, 4 conductor wire, THHN, 250 ft.	Y2067

#### SOUND DATA (Sound Rating Number dBA)

Outdoor Unit Pressure	54		
Indoor Unit Pressure	Low	Medium	High
	35	40	44



NOTE - Due to Lennox' ongoing commitment to quality, Specifications, Ratings and Dimensions subject to change without notice and without incurring liability. Improper installation, adjustment, alteration, service or maintenance can cause property damage or personal injury. Installation and service must be performed by a qualified installer and servicing agency.