



SUBMITTAL DATA - MINI-SPLIT SYSTEMS

MS7-CO-24P + MS7-CI-24P

Single Zone Air Conditioner

Job: _____
Location: _____
Engineer: _____
Schedule No.: _____
System Designation: _____

Engineer: _____
Architect: _____
Location: _____
Date: _____
For: Reference Approval Review Construction

FEATURES

- Variable Frequency Rotary Compressor
- DC Inverter Control
- Outdoor Unit Microprocessor
- High Pressure Discharge Temperature Protection
- R-410A Refrigerant
- Intelligent Power Module (IPM) Protection
- Low Voltage Protection
- Indoor Coil Freeze Protection
- Indoor Unit Microprocessor
- Oscillating Air Deflection Louvers
- Turbo Function Blower
- Wireless Remote Control

PRODUCT WARRANTY

Compressor - limited warranty for five years.
 All other covered components - five years in residential installations and one year in non-residential installations.

OUTDOOR UNIT - MS7-CO-24P

Nominal Tonnage	2	
SEER/EER	18.0 / 12.0	
AHRI Reference No.	4733650	
Cooling Capacity (Btuh)	High	25,000
	Standard	21,500
	Low	9,600
Outdoor Temp. Operating Range	41°F to 115°F	
Connections (in.)	Small line o.d. - flare	1/4
	Large line o.d. - flare	5/8
Refrigerant (R-410A) furnished	3 lbs. 10 oz.	
Outdoor Fan Motor	Diameter - in.	22
	No. of blades	3
	Cfm	2470
	Rpm	780/500
	Watts	90
Shipping Data - lbs.	132	

ELECTRICAL DATA

Line voltage data - 60 hz - 1ph	208/230V	
Maximum overcurrent protection (amps)	25	
Minimum circuit ampacity	14	
Compressor Locked rotor amps	41	
	Rated load amps	8.4
Compressor Power Input (W)	1640	
Outdoor Fan Motor	Rated load amps	0.90
	Output (W)	90
Rated Amps	12	

OPTIONAL ACCESSORIES - OUTDOOR

Description	Cat. No.
Condenser Pad (18 x 36 x 2)	48X92
Disconnects	30 amp, fused, 1 ph 60 amp, non-fused, 1 ph
Fuses	30A 60A
Line Sets	1/4 in. x 5/8 in. x 25 ft. 1/4 in. x 5/8 in. x 50 ft.
Male Flare Adaptor	5/16 in. quick connect x 1/4 in. MF
Wall Bracket	Type 2 - Up to 220 lbs.
Whips	10 Gauge - 1/2 in. x 6 ft. 8 Gauge - 3/4 in. x 6 ft.

INDOOR UNIT - MS7-CI-24P

Connections (in.)	Small line o.d. - flare	1/4
	Large line o.d. - flare	5/8
Indoor Blower	Turbo	560
Air Volume (cfm)	High	470
	Medium	410
	Low	355
Indoor Temp. Operating Range	64°F to 90°F	
Indoor Blower	Diameter x Length	3.9 x 28
	Type	Cross flow
Shipping Data - lbs.	46	

ELECTRICAL DATA

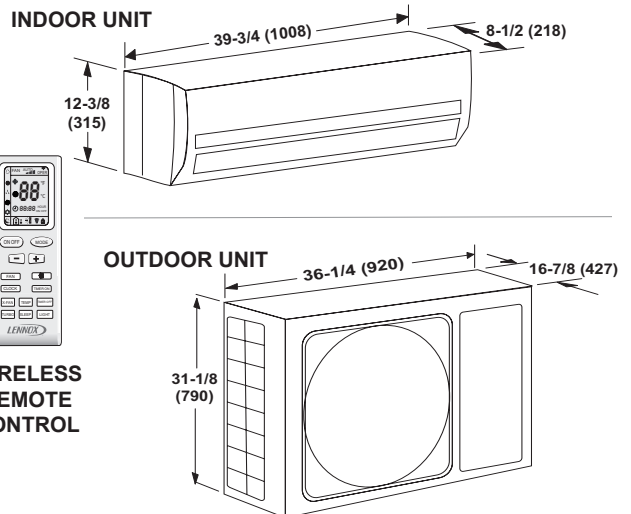
Line voltage data - 60 hz - 1ph	208/230V
Rated Load Amps	0.45
Output (W)	35

OPTIONAL ACCESSORIES - INDOOR

Description	Cat. No.
Condensate Pump, 3.70 US gallons per hour, 33 ft. lift, 230V	X8251
Condensate Mini-Split Drain Line - 5/8 in. I.D. 160 ft	Y3401
Indoor/Outdoor Wiring Cable - 14 Gauge, 4 conductor wire, THHN, 250 ft.	Y2067

SOUND DATA (Sound Rating Number dBA)

Outdoor Unit Pressure	56		
Indoor Unit Pressure	Low	Medium	High
	35	40	44



NOTE - Due to Lennox' ongoing commitment to quality, Specifications, Ratings and Dimensions subject to change without notice and without incurring liability. Improper installation, adjustment, alteration, service or maintenance can cause property damage or personal injury. Installation and service must be performed by a qualified installer and servicing agency.

495006 (201111)

©2011 Lennox Industries Inc.