



SUBMITTAL DATA - MINI-SPLIT SYSTEMS

MS7-H0-12L + MS7-HI-12L

Single Zone Heat Pump

Job: _____
 Location: _____
 Engineer: _____
 Schedule No.: _____
 System Designation: _____

Engineer: _____
 Architect: _____
 Location: _____
 Date: _____
 For: Reference Approval Review Construction

FEATURES

- Variable Frequency Rotary Compressor
- DC Inverter Control
- Outdoor Unit Microprocessor
- Reversing Valve
- High Pressure Discharge Temperature Protection
- R-410A Refrigerant
- Intelligent Power Module (IPM) Protection
- Defrost Control
- Low Voltage Protection
- Indoor Coil Freeze Protection
- Indoor Unit Microprocessor
- Oscillating Air Deflection Louvers
- Turbo Function Blower
- Wireless Remote Control

PRODUCT WARRANTY

Compressor - limited warranty for five years.

All other covered components - five years in residential installations and one year in non-residential installations.

OUTDOOR UNIT - MS7-H0-12L

Nominal Tonnage		1
SEER/EER		20.0 / 12.5
HSPF - Region IV (Region V)		9.60 (8.30)
AHRI Reference No.		4733652
Cooling Capacity (Btuh)	High	14,000
	Standard	12,000
	Low	4,500
Heating Capacity (Btuh)	High	14,500
	Standard	13,000
	Low	3,250
Outdoor Temp. Operating Range	Cooling	41°F to 115°F
	Heating	5°F to 86°F
Connections (in.)	Small line o.d. - flare	1/4
	Large line o.d. - flare	3/8
Refrigerant (R-410A) furnished		2 lbs. 9 oz.
Outdoor Fan Motor	Diameter - in.	15-5/8
	No. of blades	3
	Cfm	1120
	Rpm - Cooling (Heating)	900/680 (900)
	Watts	40
	Shipping Data - lbs.	

ELECTRICAL DATA

Line voltage data - 60 hz - 1ph		115V
Maximum overcurrent protection (amps)		25
Minimum circuit ampacity		15
Compressor	Locked rotor amps	33
	Rated load amps	4.6
Compressor Inverter Frequency (hz) Cooling/Heating	High	80 / 75
	Standard	57/ 65
	Low	15 / 15
	High	1450 / 1500
Compressor Power Input (W) Cooling/Heating	Standard	1000 / 1200
	Low	120 / 220
Outdoor Fan Motor	Rated load amps	0.17
	Output (W)	40
Rated Amps (Cooling/Heating)	High	17.0 / 18.2
	Standard	11.0 / 12.5

OPTIONAL ACCESSORIES - OUTDOOR

Description	Cat. No.	
Condenser Pad (18 x 36 x 2)	48X92	
Disconnects	30 amp, fused, 1 ph	27P37
	60 amp, non-fused, 1 ph	27P39
Fuses	30A	83P75
	60A	83P77
		X0258
Line Sets	1/4 in. x 3/8 in. x 50 ft.	X0258
Male Flare Adaptor	5/16 in. quick connect x 1/4 in. MF	Y0576
Wall Bracket	Type 2 - Up to 220 lbs.	Y3400
Whips	10 Gauge - 1/2 in. x 6 ft.	29P54
	8 Gauge - 3/4 in. x 6 ft.	27P44

INDOOR UNIT - MS7-HI-12L

Connections (in.)	Small line o.d. - flare	1/4
	Large line o.d. - flare	3/8
Indoor Blower	Turbo	300
Air Volume	High	275
	Medium	255
	Low	215
Indoor Blower RPM (Heating/Cooling)	Turbo	1260 / 1280
	High	1070 / 1050
	Medium	900 / 980
	Low	730 / 920
	Indoor Temp. Operating Range	Cooling
Heating		50°F to 86°F
Indoor Blower	Diameter x Length	3.6 x 25.4
	Type	Cross flow
Shipping Data - lbs.		37

ELECTRICAL DATA

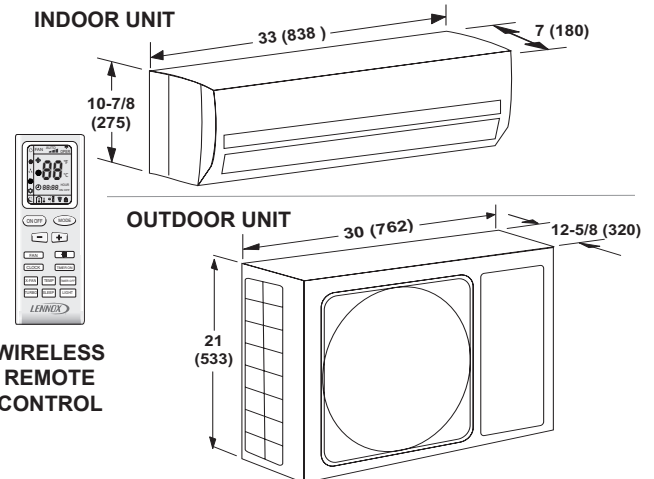
Line voltage data - 60 hz - 1ph	115V
Rated Load Amps	0.38
Output (W)	20

OPTIONAL ACCESSORIES - INDOOR

Description	Cat. No.
Condensate Pump, 3.70 US gallons per hour, 33 ft. lift, 115V	X8250
Condensate Mini-Split Drain Line - 5/8 in. I.D. 160 ft	Y3401
Indoor/Outdoor Wiring Cable - 14 Gauge, 4 conductor wire, THHN, 250 ft.	Y2067

SOUND DATA (Sound Rating Number dBA)

Outdoor Unit Pressure	55		
Indoor Unit Pressure	Low	Medium	High
	26	32	36



NOTE - Due to Lennox' ongoing commitment to quality, Specifications, Ratings and Dimensions subject to change without notice and without incurring liability.

Improper installation, adjustment, alteration, service or maintenance can cause property damage or personal injury.

Installation and service must be performed by a qualified installer and servicing agency.

495009 (201111)

©2011 Lennox Industries Inc.