



SUBMITTAL DATA - MINI-SPLIT SYSTEMS

MS8-CO-09L + MS8-CI-09L

Single-Zone Air Conditioner

Job: _____
 Location: _____
 Engineer: _____
 Schedule No.: _____
 System Designation: _____

Engineer: _____
 Architect: _____
 Location: _____
 Date: _____
 For: Reference Approval Review Construction

FEATURES

- Variable Frequency Rotary Compressor
- DC Inverter Control
- Outdoor Unit Microprocessor
- Compressor Discharge Temperature Protection
- R-410A Refrigerant
- Intelligent Power Module (IPM) Protection
- Indoor Coil Freeze Protection
- Indoor Unit Microprocessor
- Cold Blow Protection
- Oscillating Air Deflection Louvers
- Turbo Function Blower
- Wireless Remote Control

PRODUCT WARRANTY

Compressor - limited warranty for five years.

All other covered components - five years in residential installations and one year in non-residential installations.

OUTDOOR UNIT - MS8-CO-09L

Nominal Tonnage	0.75
SEER/EER	22.00 / 14.20
AHRI Reference No.	5625426
Cooling Capacity (Btuh)	9,000
Ambient Temp. Operating Range	41°F to 115°F
Connections	Liquid line o.d. - flare 1/4 Suction line o.d. - flare 3/8
Refrigerant (R-410A) furnished	2 lbs. 6 oz.
Outdoor Fan Motor	Diameter - in. 15-5/8 No. of blades 3 Cfm 1120 Rpm 650/900
Shipping Data - lbs.	91

INDOOR UNIT - MS8-CI-09L

Connections	Small line o.d. - flare 1/4 Large line o.d. - flare 3/8
Indoor Blower	Turbo 330
Air Volume	High 295 Medium 255 Low 220
Indoor Blower	Diameter x Length (in.) 3.6 x 25.4 Type Cross-flow
Shipping Data - lbs.	31

ELECTRICAL DATA

Line voltage data - 60 hz - 1ph	115V
Rated Load Amps	0.38
Output (W)	20

ELECTRICAL DATA

Line voltage data - 60 hz - 1ph	115V
Maximum overcurrent protection (amps)	35
Minimum circuit ampacity	22
Compressor Rated load amps	16
Compressor Power Input (W)	1050
Outdoor Fan Motor Rated load amps	0.17
Output (W)	40

OPTIONAL ACCESSORIES - INDOOR

Description	Cat. No.
Condensate Mini Orange 3.7 US gallons per hour, 26 ft. lift, 115V Pump	X8250
Mini Orange 3.7 US gallons per hour, 26 ft. lift - 230V	X8251
ClearVue Mini™ 7.9 US gallons per hour, 35 ft. lift - 120/240V	Y5170
Condensate Mini-Split Drain Line - 5/8 in. I.D. 160 ft	Y3401
Indoor/Outdoor Wiring Cable - 14 Gauge, 4 conductor wire, THHN, 250 ft.	Y2067
Wireless Remote Control Holder	Y5073

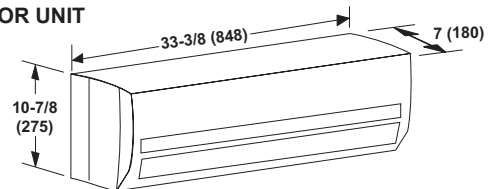
SOUND DATA (Sound Rating Number dBA)

Outdoor Unit Pressure	53
Indoor Pressure	Low 26 Medium 30 High 34

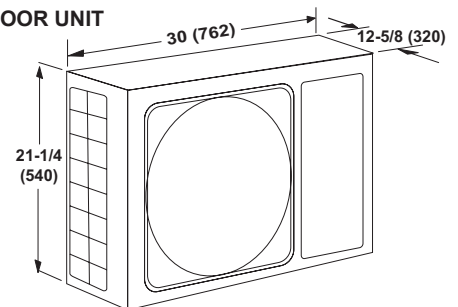
OPTIONAL ACCESSORIES - OUTDOOR

Description	Cat. No.
Condenser Pad (18 x 36 x 2)	48X92
Disconnects	30 amp, fused, 1 ph 27P37 60 amp, non-fused, 1 ph 27P39
Fuses	30A 83P75 60A 83P77
Line Sets	1/4 in. x 3/8 in. x 50 ft. X0258
Male Flare Adaptor	5/16 in. quick connect x 1/4 in. MF Y0576
Wall Bracket	30 in. Y5020
Whips	10 Gauge - 1/2 in. x 6 ft. 29P54 8 Gauge - 3/4 in. x 6 ft. 27P44

INDOOR UNIT



OUTDOOR UNIT



WIRELESS
REMOTE
CONTROL



Intertek

NOTE - Due to Lennox' ongoing commitment to quality, Specifications, Ratings and Dimensions subject to change without notice and without incurring liability.

Improper installation, adjustment, alteration, service or maintenance can cause property damage or personal injury.

Installation and service must be performed by a qualified installer and servicing agency.

495045 (201303)

©2013 Lennox Industries Inc.