



# SUBMITTAL DATA - MINI-SPLIT SYSTEMS

## MS8-C0-12L + MS8-CI-12L

### Single-Zone Air Conditioner

Job: \_\_\_\_\_  
 Location: \_\_\_\_\_  
 Engineer: \_\_\_\_\_  
 Schedule No.: \_\_\_\_\_  
 System Designation: \_\_\_\_\_

Engineer: \_\_\_\_\_  
 Architect: \_\_\_\_\_  
 Location: \_\_\_\_\_  
 Date: \_\_\_\_\_  
 For:  Reference  Approval  Review  Construction

#### FEATURES

- Variable Frequency Rotary Compressor
- DC Inverter Control
- Outdoor Unit Microprocessor
- Compressor Discharge Temperature Protection
- R-410A Refrigerant
- Intelligent Power Module (IPM) Protection
- Indoor Coil Freeze Protection
- Oscillating Air Deflection Louvers
- Indoor Unit Microprocessor
- Turbo Function Blower
- Cold Blow Protection
- Wireless Remote Control

#### PRODUCT WARRANTY

Compressor - limited warranty for five years.

All other covered components - five years in residential installations and one year in non-residential installations.

#### OUTDOOR UNIT - MS8-CO-12L

Nominal Tonnage	1
SEER/EER	20.00 / 12.50
AHRI Reference No.	5625427
Cooling Capacity (Btuh)	12,000
Ambient Temp. Operating Range	41°F to 115°F
Connections	Liquid line o.d. - flare 1/4 Suction line o.d. - flare 3/8
Refrigerant (R-410A) furnished	2 lbs. 14 oz.
Outdoor Fan Motor	Diameter - in. 15-5/8 No. of blades 3 Cfm 1120 Rpm 680/900
Shipping Data - lbs.	97

#### INDOOR UNIT - MS8-CI-12L

Connections	Small line o.d. - flare 1/4 Large line o.d. - flare 3/8
Indoor Blower	Turbo 300 High 275 Medium 255 Low 215
Air Volume	
Indoor Blower	Diameter x Length (in.) 3.6 x 25.4
Shipping Data - lbs.	Type Cross-flow 31

#### ELECTRICAL DATA

Line voltage data - 60 hz - 1ph	115V
Rated Load Amps	0.38
Output (W)	20

#### ELECTRICAL DATA

Line voltage data - 60 hz - 1ph	115V
Maximum overcurrent protection (amps)	40
Minimum circuit ampacity	23
Compressor	Rated load amps 17.5
Compressor Power Input (W)	1450
Outdoor Fan Motor	Rated load amps 0.17 Output (W) 40

#### OPTIONAL ACCESSORIES - INDOOR

Description	Cat. No.
Condensate Pump Mini Orange 3.7 US gallons per hour, 26 ft. lift, 115V	<b>X8250</b>
Condensate Pump Mini Orange 3.7 US gallons per hour, 26 ft. lift - 230V	<b>X8251</b>
ClearVue Mini™ 7.9 US gallons per hour, 35 ft. lift - 120/240V	<b>Y5170</b>
Condensate Mini-Split Drain Line - 5/8 in. I.D. 160 ft	<b>Y3401</b>
Indoor/Outdoor Wiring Cable - 14 Gauge, 4 conductor wire, THHN, 250 ft.	<b>Y2067</b>
Wireless Remote Control Holder	<b>Y5073</b>

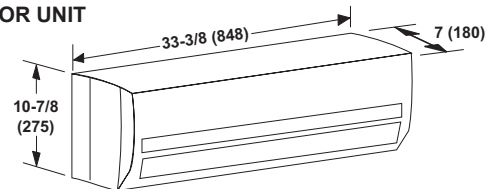
#### SOUND DATA (Sound Rating Number dBA)

Outdoor Unit Pressure	55
Indoor Pressure	Low 26
Unit	Medium 32
	High 36

#### OPTIONAL ACCESSORIES - OUTDOOR

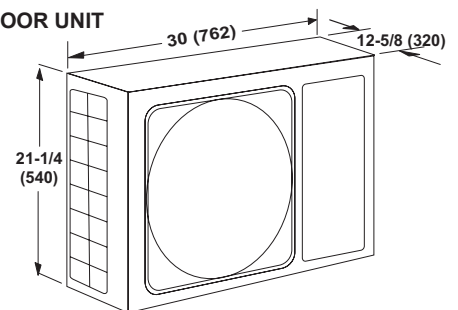
Description	Cat. No.
Condenser Pad (18 x 36 x 2)	<b>48X92</b>
Disconnects	30 amp, fused, 1 ph <b>27P37</b> 60 amp, non-fused, 1 ph <b>27P39</b>
Fuses	30A <b>83P75</b> 60A <b>83P77</b>
Line Sets	1/4 in. x 3/8 in. x 50 ft. <b>X0258</b>
Male Flare Adaptor	5/16 in. quick connect x 1/4 in. MF <b>Y0576</b>
Wall Bracket	30 in. <b>Y5020</b>
Whips	10 Gauge - 1/2 in. x 6 ft. <b>29P54</b> 8 Gauge - 3/4 in. x 6 ft. <b>27P44</b>

#### INDOOR UNIT



WIRELESS REMOTE CONTROL

#### OUTDOOR UNIT



Intertek

NOTE - Due to Lennox' ongoing commitment to quality, Specifications, Ratings and Dimensions subject to change without notice and without incurring liability. Improper installation, adjustment, alteration, service or maintenance can cause property damage or personal injury. Installation and service must be performed by a qualified installer and servicing agency.