



# SUBMITTAL DATA - MINI-SPLIT SYSTEMS

## MS8-CO-12P + MS8-CI-12P

### Single-Zone Air Conditioner

Job: \_\_\_\_\_  
 Location: \_\_\_\_\_  
 Engineer: \_\_\_\_\_  
 Schedule No.: \_\_\_\_\_  
 System Designation: \_\_\_\_\_

Engineer: \_\_\_\_\_  
 Architect: \_\_\_\_\_  
 Location: \_\_\_\_\_  
 Date: \_\_\_\_\_  
 For:  Reference  Approval  Review  Construction

#### FEATURES

- Variable Frequency Rotary Compressor
- DC Inverter Control
- Outdoor Unit Microprocessor
- Compressor Discharge Temperature Protection
- R-410A Refrigerant
- Intelligent Power Module (IPM) Protection
- Indoor Coil Freeze Protection
- Indoor Unit Microprocessor
- Cold Blow Protection
- Oscillating Air Deflection Louvers
- Turbo Function Blower
- Wireless Remote Control

#### PRODUCT WARRANTY

Compressor - limited warranty for five years.

All other covered components - five years in residential installations and one year in non-residential installations.

#### OUTDOOR UNIT - MS8-CO-12P

Nominal Tonnage	1
SEER/EER	20.00 / 12.00
AHRI Reference No.	5625429
Cooling Capacity (Btuh)	12,000
Ambient Temp. Operating Range	0°F to 109°F
Connections	Liquid line o.d. - flare 1/4 Suction line o.d. - flare 3/8
Refrigerant (R-410A) furnished	2 lbs. 14 oz.
Outdoor Fan Motor	Diameter - in. 15-3/4 No. of blades 3 Cfm 940 Rpm 680/900
Shipping Data - lbs.	97

#### INDOOR UNIT - MS8-CI-12P

Connections	Small line o.d. - flare 1/4 Large line o.d. - flare 3/8
Indoor Blower	Turbo 335
Air Volume	High 275 Medium 255 Low 220
Indoor Blower	Diameter x Length (in.) 3.6 x 25.4 Type Cross-flow
Shipping Data - lbs.	29

#### ELECTRICAL DATA

Line voltage data - 60 hz - 1ph	208/230V
Rated Load Amps	0.20
Output (W)	20

#### ELECTRICAL DATA

Line voltage data - 60 hz - 1ph	208/230V
Maximum overcurrent protection (amps)	15
Minimum circuit ampacity	10
Compressor Rated load amps	6.5
Compressor Power Input (W)	860
Outdoor Fan Motor Rated load amps	0.13
Output (W)	30

#### OPTIONAL ACCESSORIES - INDOOR

Description	Cat. No.
Condensate Mini Orange 3.7 US gallons per hour, 26 ft. lift, 115V Pump	<b>X8250</b>
Mini Orange 3.7 US gallons per hour, 26 ft. lift - 230V	<b>X8251</b>
ClearVue Mini™ 7.9 US gallons per hour, 35 ft. lift - 120/240V	<b>Y5170</b>
Condensate Mini-Split Drain Line - 5/8 in. I.D. 160 ft	<b>Y3401</b>
Indoor/Outdoor Wiring Cable - 14 Gauge, 4 conductor wire, THHN, 250 ft.	<b>Y2067</b>
Wireless Remote Control Holder	<b>Y5073</b>

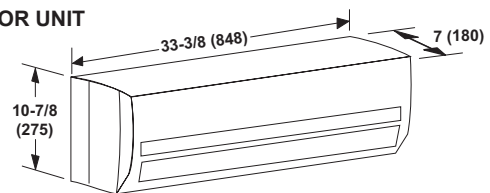
#### SOUND DATA (Sound Rating Number dBA)

Outdoor Unit Pressure	52
Indoor Pressure	Low 33
Unit	Medium 36
	High 39

#### OPTIONAL ACCESSORIES - OUTDOOR

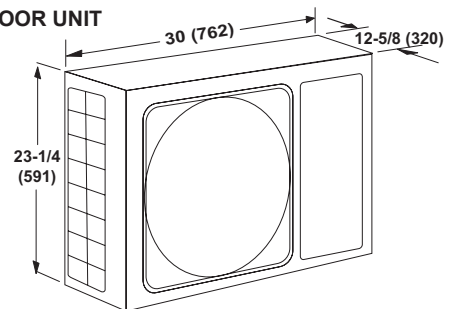
Description	Cat. No.
Condenser Pad (18 x 36 x 2)	<b>48X92</b>
Disconnects	30 amp, fused, 1 ph <b>27P37</b> 60 amp, non-fused, 1 ph <b>27P39</b>
Fuses	30A <b>83P75</b> 60A <b>83P77</b>
Line Sets	1/4 in. x 3/8 in. x 50 ft. <b>X0258</b>
Male Flare Adaptor	5/16 in. quick connect x 1/4 in. MF <b>Y0576</b>
Wall Bracket	30 in. <b>Y5020</b>
Whips	10 Gauge - 1/2 in. x 6 ft. <b>29P54</b> 8 Gauge - 3/4 in. x 6 ft. <b>27P44</b>

#### INDOOR UNIT



WIRELESS  
REMOTE  
CONTROL

#### OUTDOOR UNIT



Intertek

NOTE - Due to Lennox' ongoing commitment to quality, Specifications, Ratings and Dimensions subject to change without notice and without incurring liability.

Improper installation, adjustment, alteration, service or maintenance can cause property damage or personal injury.

Installation and service must be performed by a qualified installer and servicing agency.

495048 (201303)

©2013 Lennox Industries Inc.