



SUBMITTAL DATA - MINI-SPLIT SYSTEMS

MS8-CO-18P + MS8-CI-18P

Single-Zone Air Conditioner

Job: _____
 Location: _____
 Engineer: _____
 Schedule No.: _____
 System Designation: _____

Engineer: _____
 Architect: _____
 Location: _____
 Date: _____
 For: Reference Approval Review Construction

FEATURES

- Variable Frequency Rotary Compressor
- DC Inverter Control
- Outdoor Unit Microprocessor
- Compressor Discharge Temperature Protection
- R-410A Refrigerant
- Intelligent Power Module (IPM) Protection
- Indoor Coil Freeze Protection
- Indoor Unit Microprocessor
- Cold Blow Protection
- Oscillating Air Deflection Louvers
- Turbo Function Blower
- Wireless Remote Control

PRODUCT WARRANTY

Compressor - limited warranty for five years.

All other covered components - five years in residential installations and one year in non-residential installations.

OUTDOOR UNIT - MS8-CO-18P

Nominal Tonnage	1.5
SEER/EER	18.00 / 12.00
AHRI Reference No.	5625430
Cooling Capacity (Btuh)	18,000
Ambient Temp. Operating Range	5°F to 109°F
Connections	Liquid line o.d. - flare 1/4 Suction line o.d. - flare 1/2
Refrigerant (R-410A) furnished	3 lbs. 1 oz.
Outdoor Fan Motor	Diameter - in. 20-1/2 No. of blades 3 Cfm 1885 Rpm 800
Shipping Data - lbs.	110

INDOOR UNIT - MS8-CI-18P

Connections	Small line o.d. - flare 1/4 Large line o.d. - flare 1/2
Indoor Blower	Turbo 500
Air Volume	High 460 Medium 385 Low 325
Indoor Blower	Diameter x Length (in.) 3.9 x 28
Shipping Data - lbs.	Type Cross-flow 38

ELECTRICAL DATA

Line voltage data - 60 hz - 1ph	208/230V
Maximum overcurrent protection (amps)	20
Minimum circuit ampacity	13
Compressor Rated load amps	9.7
Compressor Power Input (W)	1200
Outdoor Rated load amps	0.28
Fan Motor Output (W)	60

ELECTRICAL DATA

Line voltage data - 60 hz - 1ph	208/230V
Rated Load Amps	0.32
Output (W)	20

OPTIONAL ACCESSORIES - OUTDOOR

Description	Cat. No.
Condenser Pad (18 x 36 x 2)	48X92
Disconnects 30 amp, fused, 1 ph	27P37
60 amp, non-fused, 1 ph	27P39
Fuses 30A	83P75
60A	83P77
Line Sets 1/4 in. x 1/2 in. x 25 ft.	90X52
1/4 in. x 1/2 in. x 50 ft.	X0259
Male Flare Adaptor 5/16 in. quick connect x 1/4 in. MF	Y0576
Wall Bracket 36 in.	Y5021
Whips 10 Gauge - 1/2 in. x 6 ft.	29P54
8 Gauge - 3/4 in. x 6 ft.	27P44

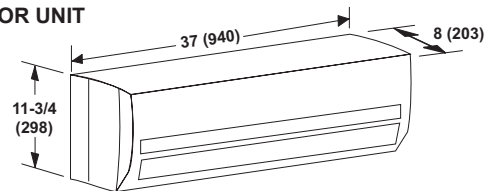
OPTIONAL ACCESSORIES - INDOOR

Description	Cat. No.
Condensate Mini Orange 3.7 US gallons per hour, 26 ft. lift, 115V Pump	X8250
Mini Orange 3.7 US gallons per hour, 26 ft. lift - 230V	X8251
ClearVue Mini™ 7.9 US gallons per hour, 35 ft. lift - 120/240V	Y5170
Condensate Mini-Split Drain Line - 5/8 in. I.D. 160 ft	Y3401
Indoor/Outdoor Wiring Cable - 14 Gauge, 4 conductor wire, THHN, 250 ft.	Y2067
Wireless Remote Control Holder	Y5073

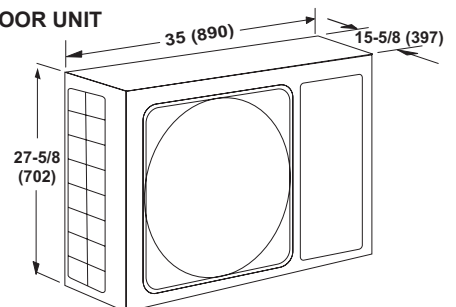
SOUND DATA (Sound Rating Number dBA)

Outdoor Unit Pressure	55
Indoor Pressure	Low 35
Unit	Medium 40
	High 44

INDOOR UNIT



OUTDOOR UNIT



WIRELESS
REMOTE
CONTROL



Intertek

NOTE - Due to Lennox' ongoing commitment to quality, Specifications, Ratings and Dimensions subject to change without notice and without incurring liability.

Improper installation, adjustment, alteration, service or maintenance can cause property damage or personal injury.

Installation and service must be performed by a qualified installer and servicing agency.

495049 (201303)

©2013 Lennox Industries Inc.