



SUBMITTAL DATA - MINI-SPLIT SYSTEMS

MS8-CO-24P + MS8-CI-24P

Single-Zone Air Conditioner

Job: _____
 Location: _____
 Engineer: _____
 Schedule No.: _____
 System Designation: _____

Engineer: _____
 Architect: _____
 Location: _____
 Date: _____
 For: Reference Approval Review Construction

FEATURES

- Variable Frequency Rotary Compressor
- DC Inverter Control
- Outdoor Unit Microprocessor
- Compressor Discharge Temperature Protection
- R-410A Refrigerant
- Intelligent Power Module (IPM) Protection
- Indoor Coil Freeze Protection
- Indoor Unit Microprocessor
- Cold Blow Protection
- Oscillating Air Deflection Louvers
- Turbo Function Blower
- Wireless Remote Control

PRODUCT WARRANTY

Compressor - limited warranty for five years.

All other covered components - five years in residential installations and one year in non-residential installations.

OUTDOOR UNIT - MS8-CO-24P

Nominal Tonnage	2
SEER/EER	18.00 / 12.00
AHRI Reference No.	5625431
Cooling Capacity (Btuh)	21,400
Ambient Temp. Operating Range	5°F to 109°F
Connections	Liquid line o.d. - flare 1/4 Suction line o.d. - flare 5/8
Refrigerant (R-410A) furnished	3 lbs. 9 oz.
Outdoor Fan Motor	Diameter - in. 21-3/4 No. of blades 3 Cfm 2355 Rpm 800
Shipping Data - lbs.	132

INDOOR UNIT - MS8-CI-24P

Connections	Small line o.d. - flare 1/4 Large line o.d. - flare 5/8
Indoor Blower	Turbo 590
Air Volume	High 470 Medium 410 Low 355
Indoor Blower	Diameter x Length (in.) 3.9 x 30 Type Cross-flow
Shipping Data - lbs.	47

ELECTRICAL DATA

Line voltage data - 60 hz - 1ph	208/230V
Rated Load Amps	0.24
Output (W)	60

ELECTRICAL DATA

Line voltage data - 60 hz - 1ph	208/230V
Maximum overcurrent protection (amps)	25
Minimum circuit ampacity	16
Compressor Rated load amps	11
Compressor Power Input (W)	1420
Outdoor Fan Motor Rated load amps	1.1
Output (W)	90

OPTIONAL ACCESSORIES - INDOOR

Description	Cat. No.
Condensate Pump Mini Orange 3.7 US gallons per hour, 26 ft. lift, 115V	X8250
Pump Mini Orange 3.7 US gallons per hour, 26 ft. lift - 230V	X8251
ClearVue Mini™ 7.9 US gallons per hour, 35 ft. lift - 120/240V	Y5170
Condensate Mini-Split Drain Line - 5/8 in. I.D. 160 ft	Y3401
Indoor/Outdoor Wiring Cable - 14 Gauge, 4 conductor wire, THHN, 250 ft.	Y2067
Wireless Remote Control Holder	Y5073

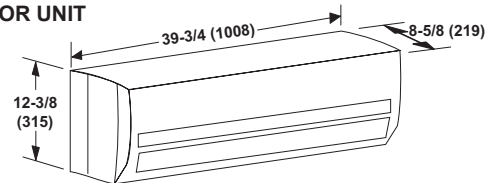
SOUND DATA (Sound Rating Number dBA)

Outdoor Unit Pressure	56
Indoor Pressure	Low 37
Unit	Medium 41
	High 45

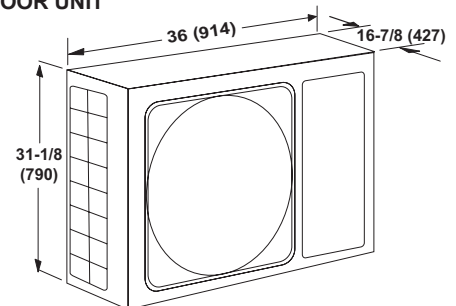
OPTIONAL ACCESSORIES - OUTDOOR

Description	Cat. No.
Condenser Pad (18 x 36 x 2)	48X92
Disconnects	30 amp, fused, 1 ph 27P37 60 amp, non-fused, 1 ph 27P39
Fuses	30A 83P75 60A 83P77
Line Sets	1/4 in. x 5/8 in. x 25 ft. 90X51 1/4 in. x 5/8 in. x 50 ft. X0260
Male Flare Adaptor	5/16 in. quick connect x 1/4 in. MF Y0576
Wall Bracket	36 in. Y5021
Whips	10 Gauge - 1/2 in. x 6 ft. 29P54 8 Gauge - 3/4 in. x 6 ft. 27P44

INDOOR UNIT



OUTDOOR UNIT



WIRELESS
REMOTE
CONTROL



Intertek

NOTE - Due to Lennox' ongoing commitment to quality, Specifications, Ratings and Dimensions subject to change without notice and without incurring liability. Improper installation, adjustment, alteration, service or maintenance can cause property damage or personal injury. Installation and service must be performed by a qualified installer and servicing agency.

495050 (201303)

©2013 Lennox Industries Inc.