



SUBMITTAL DATA - MINI-SPLIT SYSTEMS

MS8-HO-09L + MS8-HI-09L

Single Zone Heat Pump

Job: _____
 Location: _____
 Engineer: _____
 Schedule No.: _____
 System Designation: _____

Engineer: _____
 Architect: _____
 Location: _____
 Date: _____
 For: Reference Approval Review Construction

FEATURES

- Variable Frequency Rotary Compressor
- DC Inverter Control
- Outdoor Unit Microprocessor
- Reversing Valve
- Compressor Discharge Temperature Protection
- R-410A Refrigerant
- Intelligent Power Module (IPM) Protection
- Defrost Control
- Indoor Coil Freeze Protection
- Indoor Unit Microprocessor
- Cold Blow Protection
- Oscillating Air Deflection Louvers
- Turbo Function Blower
- Wireless Remote Control

PRODUCT WARRANTY

Compressor - limited warranty for five years.

All other covered components - five years in residential installations and one year in non-residential installations.

OUTDOOR UNIT - MS8-HO-09L

Nominal Tonnage		0.75
SEER/EER		22.0 / 14.2
HSPF - Region IV		9.80
AHRI Reference No.		5625419
Cooling Capacity (Btuh)		9,000
Heating Capacity (Btuh)		9,500
Outdoor Temp. Operating Range	Cooling	41°F to 115°F
	Heating	5°F to 86°F
Connections (in.)	Small line o.d. - flare	1/4
	Large line o.d. - flare	3/8
Refrigerant (R-410A) furnished		2 lbs. 6 oz.
Outdoor Fan Motor	Diameter - in.	15-5/8
	No. of blades	3
	Cfm	1120
	Rpm - Cooling (Heating)	650/900
Shipping Data - lbs.		110

ELECTRICAL DATA

	Line voltage data - 60 hz - 1ph	115V
	Maximum overcurrent protection (amps)	35
	Minimum circuit ampacity	22
Compressor	Rated load amps	16
Compressor Power Input (W)		600
Outdoor Fan Motor	Rated load amps	0.17
	Output (W)	40

OPTIONAL ACCESSORIES - OUTDOOR

Description	Cat. No.
Condenser Pad (18 x 36 x 2)	48X92
Disconnects	30 amp, fused, 1 ph 27P37 60 amp, non-fused, 1 ph 27P39
Fuses	30A 83P75 60A 83P77
Line Sets	1/4 in. x 3/8 in. x 50 ft. X0258
Male Flare Adaptor	5/16 in. quick connect x 1/4 in. MF Y0576
Wall Bracket	30 in. Y5020
Whips	10 Gauge - 1/2 in. x 6 ft. 29P54 8 Gauge - 3/4 in. x 6 ft. 27P44

INDOOR UNIT - MS8-HI-09L

Connections (in.)	Small line o.d. - flare	1/4
	Large line o.d. - flare	3/8
Indoor Blower Air Volume	Turbo	330
	High	295
	Medium	255
	Low	220
Indoor Blower RPM (Heating/Cooling)	Turbo	1260 / 1320
	High	1050 / 1200
	Medium	920 / 1100
	Low	730 / 950
Indoor Blower	Diameter x Length	3.6 x 25.4
Shipping Data - lbs.	Type	Cross-flow
		37

ELECTRICAL DATA

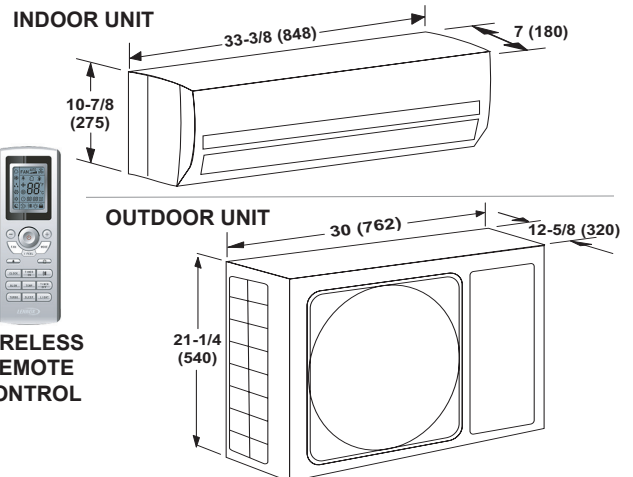
	Line voltage data - 60 hz - 1ph	115V
	Rated Load Amps	0.38
	Output (W)	20

OPTIONAL ACCESSORIES - INDOOR

Description	Cat. No.
Condensate Pump Mini Orange 3.7 US gallons per hour, 26 ft. lift, 115V	X8250
Pump Mini Orange 3.7 US gallons per hour, 26 ft. lift - 230V	X8251
ClearVue Mini™ 7.9 US gallons per hour, 35 ft. lift - 120/240V	Y5170
Condensate Mini-Split Drain Line - 5/8 in. I.D. 160 ft	Y3401
Indoor/Outdoor Wiring Cable - 14 Gauge, 4 conductor wire, THHN, 250 ft.	Y2067
Wireless Remote Control Holder	Y5073

SOUND DATA (Sound Rating Number dBA)

Outdoor Unit Pressure	53		
Indoor Unit Pressure	Low	Medium	High
	26	30	34



Intertek

NOTE - Due to Lennox' ongoing commitment to quality, Specifications, Ratings and Dimensions subject to change without notice and without incurring liability.

Improper installation, adjustment, alteration, service or maintenance can cause property damage or personal injury.

Installation and service must be performed by a qualified installer and servicing agency.

495051 (201303)

©2013 Lennox Industries Inc.