



# SUBMITTAL DATA - MINI-SPLIT SYSTEMS

## MS8-HO-09L + MS8-HI-09L

### Single Zone Heat Pump

Job: \_\_\_\_\_  
 Location: \_\_\_\_\_  
 Engineer: \_\_\_\_\_  
 Schedule No.: \_\_\_\_\_  
 System Designation: \_\_\_\_\_

Engineer: \_\_\_\_\_  
 Architect: \_\_\_\_\_  
 Location: \_\_\_\_\_  
 Date: \_\_\_\_\_  
 For:  Reference  Approval  Review  Construction

#### FEATURES

- Variable Frequency Rotary Compressor
- DC Inverter Control
- Outdoor Unit Microprocessor
- Reversing Valve
- Compressor Discharge Temperature Protection
- R-410A Refrigerant
- Intelligent Power Module (IPM) Protection
- Defrost Control
- Indoor Coil Freeze Protection
- Indoor Unit Microprocessor
- Cold Blow Protection
- Oscillating Air Deflection Louvers
- Turbo Function Blower
- Wireless Remote Control

#### PRODUCT WARRANTY

Compressor - limited warranty for five years.

All other covered components - five years in residential installations and one year in non-residential installations.

#### OUTDOOR UNIT - MS8-HO-09L

Nominal Tonnage		0.75
SEER/EER		22.0 / 14.2
HSPF - Region IV		9.80
AHRI Reference No.		5625419
Cooling Capacity (Btuh)		9,000
Heating Capacity (Btuh)		9,500
Outdoor Temp. Operating Range	Cooling	41°F to 115°F
	Heating	5°F to 86°F
Connections (in.)	Small line o.d. - flare	1/4
	Large line o.d. - flare	3/8
Refrigerant (R-410A) furnished		2 lbs. 6 oz.
Outdoor Fan Motor	Diameter - in.	15-5/8
	No. of blades	3
	Cfm	1120
	Rpm - Cooling (Heating)	650/900
Shipping Data - lbs.		110

#### ELECTRICAL DATA

	Line voltage data - 60 hz - 1ph	115V
	Maximum overcurrent protection (amps)	35
	Minimum circuit ampacity	22
Compressor	Rated load amps	16
Compressor Power Input (W)		600
Outdoor Fan Motor	Rated load amps	0.17
	Output (W)	40

#### OPTIONAL ACCESSORIES - OUTDOOR

Description	Cat. No.
Condenser Pad (18 x 36 x 2)	<b>48X92</b>
Disconnects	30 amp, fused, 1 ph <b>27P37</b> 60 amp, non-fused, 1 ph <b>27P39</b>
Fuses	30A <b>83P75</b> 60A <b>83P77</b>
Line Sets	1/4 in. x 3/8 in. x 50 ft. <b>X0258</b>
Male Flare Adaptor	5/16 in. quick connect x 1/4 in. MF <b>Y0576</b>
Wall Bracket	30 in. <b>Y5020</b>
Whips	10 Gauge - 1/2 in. x 6 ft. <b>29P54</b> 8 Gauge - 3/4 in. x 6 ft. <b>27P44</b>

#### INDOOR UNIT - MS8-HI-09L

Connections (in.)	Small line o.d. - flare	1/4
	Large line o.d. - flare	3/8
Indoor Blower Air Volume	Turbo	330
	High	295
	Medium	255
	Low	220
Indoor Blower RPM (Heating/Cooling)	Turbo	1260 / 1320
	High	1050 / 1200
	Medium	920 / 1100
	Low	730 / 950
Indoor Blower	Diameter x Length	3.6 x 25.4
Shipping Data - lbs.	Type	Cross-flow
		37

#### ELECTRICAL DATA

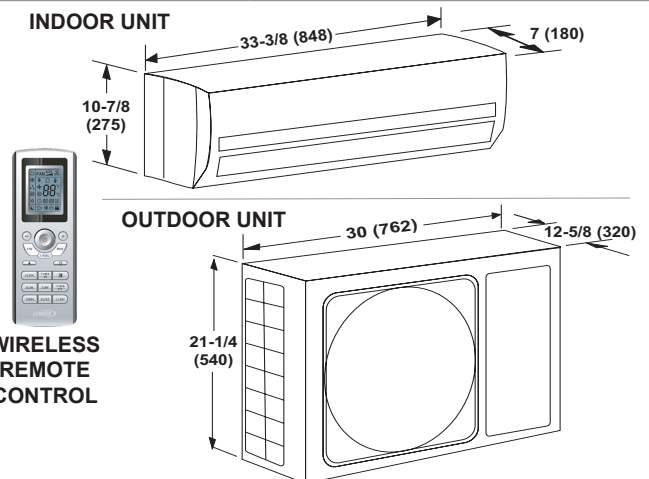
	Line voltage data - 60 hz - 1ph	115V
	Rated Load Amps	0.38
	Output (W)	20

#### OPTIONAL ACCESSORIES - INDOOR

Description	Cat. No.
Condensate Pump	Mini Orange 3.7 US gallons per hour, 26 ft. lift, 115V <b>X8250</b> Mini Orange 3.7 US gallons per hour, 26 ft. lift - 230V <b>X8251</b>
Condensate Mini-Split Drain Line - 5/8 in. I.D. 160 ft	ClearVue Mini™ 7.9 US gallons per hour, 35 ft. lift - 120/240V <b>Y5170</b>
Indoor/Outdoor Wiring Cable - 14 Gauge, 4 conductor wire, THHN, 250 ft.	<b>Y3401</b>
Wireless Remote Control Holder	<b>Y2067</b>
	<b>Y5073</b>

#### SOUND DATA (Sound Rating Number dBA)

Outdoor Unit Pressure	53		
Indoor Unit Pressure	Low	Medium	High
	26	30	34



Intertek

NOTE - Due to Lennox' ongoing commitment to quality, Specifications, Ratings and Dimensions subject to change without notice and without incurring liability.

Improper installation, adjustment, alteration, service or maintenance can cause property damage or personal injury.

Installation and service must be performed by a qualified installer and servicing agency.

495051 (201303)

©2013 Lennox Industries Inc.