



# SUBMITTAL DATA - MINI-SPLIT SYSTEMS

## (1) MS8-ZO-36P4 with (1) MS8-HI-09P1 + (1) MS8-HI-12P1 + (1) MS8-HI-18P1 Multi-Zone Heat Pump

Job: \_\_\_\_\_  
 Location: \_\_\_\_\_  
 Engineer: \_\_\_\_\_  
 Schedule No.: \_\_\_\_\_  
 System Designation: \_\_\_\_\_

Engineer: \_\_\_\_\_  
 Architect: \_\_\_\_\_  
 Location: \_\_\_\_\_  
 Date: \_\_\_\_\_  
 For:  Reference  Approval  Review  Construction

### FEATURES

- Variable Frequency Rotary Compressor (R-410A)
- DC Inverter Control
- Compressor Crankcase Heater
- High Pressure Discharge Temperature Protection
- Reversing Valve
- Defrost Control
- Low Voltage Protection
- Indoor Coil Freeze Protection
- Indoor Unit Microprocessor
- Oscillating Air Deflection Louvers
- Turbo Function Blower
- Wireless Remote Control

### PRODUCT WARRANTY

Compressor - limited warranty for five years.  
 All other covered components - five years in residential installations and one year in non-residential installations.

### OUTDOOR UNIT - MS8-ZO-36P4

|                                    |                                                                                                                       |
|------------------------------------|-----------------------------------------------------------------------------------------------------------------------|
| Number of Zones                    | 3                                                                                                                     |
| SEER/EER                           | 16.00 / 7.95                                                                                                          |
| HSPF - Region IV                   | 8.20                                                                                                                  |
| AHRI Reference No.                 | 6484324                                                                                                               |
| Cooling Capacity (Btuh)            | 34,400                                                                                                                |
| Heating Capacity (Btuh)            | High 37,200<br>Low 22,000                                                                                             |
| Ambient Temp. Operating Range (°F) | Cooling 23 to 118<br>Heating 5 to 80                                                                                  |
| Connections                        | Liquid line o.d. - flare 1/4<br>Suction line o.d. - flare 3/8                                                         |
| Refrigerant (R-410A) furnished     | 6 lbs. 4 oz.                                                                                                          |
| Outdoor Fan Motor                  | Diameter - in. 22<br>No. of blades 3<br>Cfm (High/Standard/Low) 2200/1600/1400<br>Rpm (High/Standard/Low) 820/640/560 |
| Shipping Data - lbs.               | 152                                                                                                                   |

### ELECTRICAL DATA

|                                       |            |
|---------------------------------------|------------|
| Line voltage data - 60 hz - 1ph       | 208 / 230V |
| Maximum overcurrent protection (amps) | 32         |
| Minimum circuit ampacity              | 20         |
| Compressor Rated load amps            | 21         |
| Compressor Power Input (W)            | 2200       |
| Outdoor Fan Motor Rated load amps     | 0.59       |
| Output (W)                            | 120        |

### OPTIONAL ACCESSORIES - OUTDOOR

| Description                 | Cat. No.                                                                                                                                     |
|-----------------------------|----------------------------------------------------------------------------------------------------------------------------------------------|
| Condenser Pad (18 x 36 x 2) | 48X92                                                                                                                                        |
| Disconnects                 | 30 amp, fused, 1 ph 27P37<br>60 amp, non-fused, 1 ph 27P39                                                                                   |
| Fuses                       | 30A 83P75<br>60A 83P77                                                                                                                       |
| Line Sets                   | 1/4 in. x 3/8 in. x 25 ft. 90X53<br>1/4 in. x 3/8 in. x 50 ft. X0258<br>1/4 in. x 1/2 in. x 25 ft. 90X52<br>1/4 in. x 1/2 in. x 50 ft. X0259 |
| Male Flare Adaptor          | 5/16 in. quick connect x 1/4 in. MF Y0576                                                                                                    |
| Wall Bracket                | 36 in. Y5021                                                                                                                                 |
| Whips                       | 10 Gauge - 1/2 in. x 6 ft. 29P54<br>8 Gauge - 3/4 in. x 6 ft. 27P44                                                                          |

### INDOOR UNIT - MS8-HI-09P1 / MS8-HI-12P1 / MS8-HI-18P1

| Model No.                    | (1) MS8-HI-09P1                                  | (1) MS8-HI-12P1          | (1) MS8-HI-18P1          |
|------------------------------|--------------------------------------------------|--------------------------|--------------------------|
| Connections (in.) o.d. flare | Liquid/Suction 1/4 / 3/8                         | 1/4 / 3/8                | 1/4 / 1/2                |
| Line Sets Required (in.)     | (1) 1/4 x 3/8                                    | (1) 1/4 x 3/8            | (1) 1/4 x 1/2            |
| Indoor Blower Air Volume     | Maximum 305<br>High 275<br>Medium 255<br>Low 220 | 335<br>275<br>255<br>220 | 500<br>460<br>385<br>325 |
| Indoor Blower D x L (in.)    | 3.6 x 25.4                                       | 3.6 in. x 25.4           | 3.9 x 28                 |
| Shipping Data - lbs.         | 31                                               | 29                       | 38                       |

### ELECTRICAL DATA

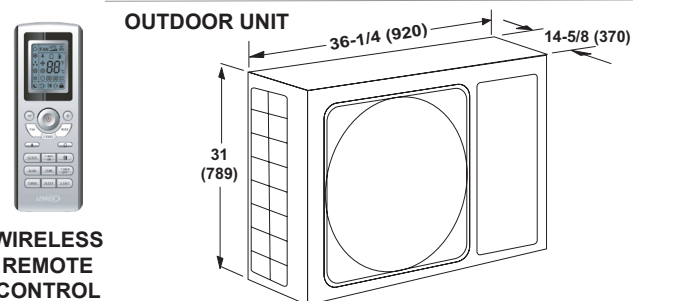
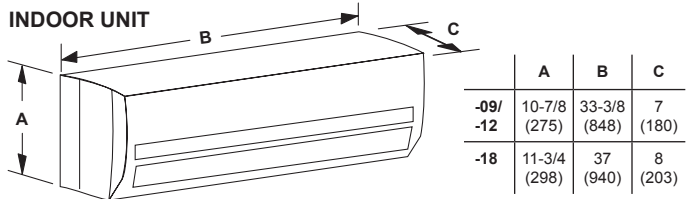
|                                 | 208/230V | 208/230V | 208/230V |
|---------------------------------|----------|----------|----------|
| Line voltage data - 60 hz - 1ph | 208/230V | 208/230V | 208/230V |
| Rated Load Amps                 | 0.20     | 0.20     | 0.32     |
| Output (W)                      | 20       | 20       | 20       |

### OPTIONAL ACCESSORIES - INDOOR

| Accessory                                                             | MS8-HI-09P1 | MS8-HI-12P1 | MS8-HI-18P1 |
|-----------------------------------------------------------------------|-------------|-------------|-------------|
| Condensate Pump                                                       |             |             |             |
| 3.70 US gph, 26 ft. lift - 115V                                       | X8250       | X8250       | X8250       |
| 3.70 US gph, 26 ft. lift, 230V                                        | X8251       | X8251       | X8251       |
| 7.9 US gph, 35 ft. lift - 120/240V                                    | Y5170       | Y5170       | Y5170       |
| Condensate Mini-Split Drain Line - 5/8 in. I.D. 160 ft.               | Y3401       | Y3401       | Y3401       |
| Indoor/Outdoor Wiring Cable 14 Gauge, 4 conductor wire, THHN, 250 ft. | Y2067       | Y2067       | Y2067       |
| Wireless Remote Control Holder                                        | Y5073       | Y5073       | Y5073       |

### SOUND DATA (Sound Rating Number dBA)

| Pressure              | MS8-HI-09P1 | MS8-HI-12P1 | MS8-HI-18P1 |
|-----------------------|-------------|-------------|-------------|
| Outdoor Unit Pressure | 59          |             |             |
| Indoor Unit Pressure  | Low 32      | 33          | 35          |
|                       | Medium 35   | 36          | 40          |
|                       | High 38     | 39          | 44          |
|                       | Maximum 42  | 42          | 49          |



NOTE - Due to Lennox' ongoing commitment to quality, Specifications, Ratings and Dimensions subject to change without notice and without incurring liability. Improper installation, adjustment, alteration, service or maintenance can cause property damage or personal injury. Installation and service must be performed by a qualified installer and servicing agency.