



SUBMITTAL DATA - MINI-SPLIT SYSTEMS

(1) MS8-ZO-36P4 with (2) MS8-HI-09P1 + (1) MS8-HI-12P1 + (1) MS8-HI-18P1 Multi-Zone Heat Pump

Job: _____
 Location: _____
 Engineer: _____
 Schedule No.: _____
 System Designation: _____

Engineer: _____
 Architect: _____
 Location: _____
 Date: _____
 For: Reference Approval Review Construction

FEATURES

- Variable Frequency Rotary Compressor (R-410A)
- DC Inverter Control
- Compressor Crankcase Heater
- High Pressure Discharge Temperature Protection
- Reversing Valve
- Defrost Control
- Low Voltage Protection
- Indoor Coil Freeze Protection
- Indoor Unit Microprocessor
- Oscillating Air Deflection Louvers
- Turbo Function Blower
- Wireless Remote Control

PRODUCT WARRANTY

Compressor - limited warranty for five years.
 All other covered components - five years in residential installations and one year in non-residential installations.

OUTDOOR UNIT - MS8-ZO-36P4

Number of Zones	4
SEER/EER	16.00 / 7.95
HSPF - Region IV	8.20
AHRI Reference No.	6484324
Cooling Capacity (Btuh)	34,400
Heating Capacity (Btuh)	High 37,200 Low 22,000
Ambient Temp. Operating Range (°F)	Cooling 23 to 118 Heating 5 to 80
Connections	Liquid line o.d. - flare 1/4 Suction line o.d. - flare 3/8
Refrigerant (R-410A) furnished	6 lbs. 4 oz.
Outdoor Fan Motor	Diameter - in. 22 No. of blades 3 Cfm (High/Standard/Low) 2200/1600/1400 Rpm (High/Standard/Low) 820/640/560
Shipping Data - lbs.	152

ELECTRICAL DATA

Line voltage data - 60 hz - 1ph	208 / 230V
Maximum overcurrent protection (amps)	32
Minimum circuit ampacity	20
Compressor Rated load amps	21
Compressor Power Input (W)	2200
Outdoor Fan Motor Rated load amps	0.59
Output (W)	120

OPTIONAL ACCESSORIES - OUTDOOR

Description	Cat. No.
Condenser Pad (18 x 36 x 2)	48X92
Disconnects	30 amp, fused, 1 ph 27P37 60 amp, non-fused, 1 ph 27P39
Fuses	30A 83P75 60A 83P77
Line Sets	1/4 in. x 3/8 in. x 25 ft. 90X53 1/4 in. x 3/8 in. x 50 ft. X0258 1/4 in. x 1/2 in. x 25 ft. 90X52 1/4 in. x 1/2 in. x 50 ft. X0259
Male Flare Adaptor	5/16 in. quick connect x 1/4 in. MF Y0576
Wall Bracket	36 in. Y5021
Whips	10 Gauge - 1/2 in. x 6 ft. 29P54 8 Gauge - 3/4 in. x 6 ft. 27P44

INDOOR UNIT - MS8-HI-09P1 / MS8-HI-12P1 / MS8-HI-18P1

Model No.	(2) MS8-HI-09P1	(1) MS8-HI-12P1	(1) MS8-HI-18P1
Connections (in.) o.d. flare	Liquid/Suction 1/4 / 3/8	1/4 / 3/8	1/4 / 1/2
Line Sets Required (in.)	(2) 1/4 x 3/8	(1) 1/4 x 3/8	(1) 1/4 x 1/2
Indoor Blower Air Volume	Maximum 305 High 275 Medium 255 Low 220	335 275 255 220	500 460 385 325
Indoor Blower D x L (in.)	3.6 x 25.4	3.6 in. x 25.4	3.9 x 28
Shipping Data - lbs.	31	29	38

ELECTRICAL DATA

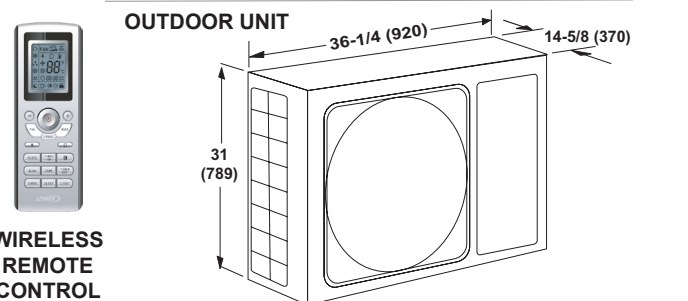
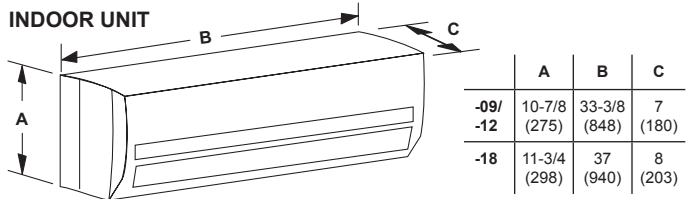
	208/230V	208/230V	208/230V
Line voltage data - 60 hz - 1ph	208/230V	208/230V	208/230V
Rated Load Amps	0.20	0.20	0.32
Output (W)	20	20	20

OPTIONAL ACCESSORIES - INDOOR

Accessory	(2) MS8-HI-09P1	(1) MS8-HI-12P1	(1) MS8-HI-18P1
Condensate Pump			
3.70 US gph, 26 ft. lift - 115V	X8250	X8250	X8250
3.70 US gph, 26 ft. lift, 230V	X8251	X8251	X8251
7.9 US gph, 35 ft. lift - 120/240V	Y5170	Y5170	Y5170
Condensate Mini-Split Drain Line - 5/8 in. I.D. 160 ft.	Y3401	Y3401	Y3401
Indoor/Outdoor Wiring Cable 14 Gauge, 4 conductor wire, THHN, 250 ft.	Y2067	Y2067	Y2067
Wireless Remote Control Holder	Y5073	Y5073	Y5073

SOUND DATA (Sound Rating Number dBA)

Pressure	Low	Medium	High	Maximum
Outdoor Unit Pressure	59			
Indoor Unit Pressure	32	33	35	35
	35	36	40	40
	38	39	44	44
	42	42	49	49



NOTE - Due to Lennox' ongoing commitment to quality, Specifications, Ratings and Dimensions subject to change without notice and without incurring liability. Improper installation, adjustment, alteration, service or maintenance can cause property damage or personal injury. Installation and service must be performed by a qualified installer and servicing agency.