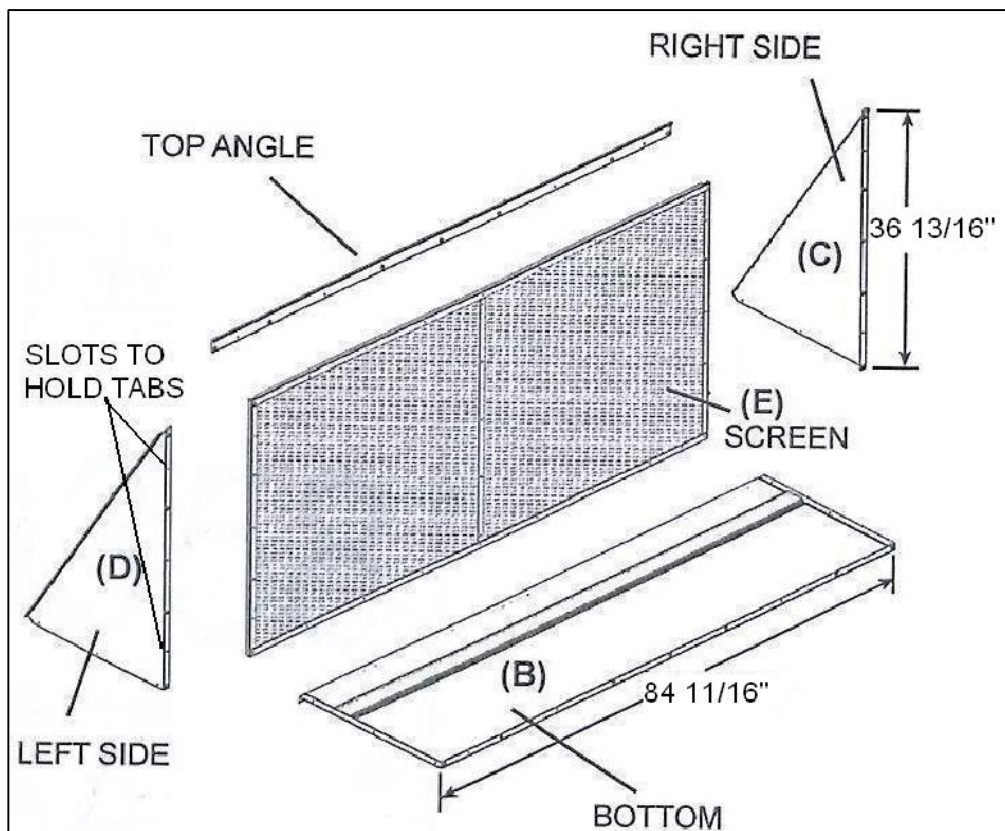


INSTALL INSTRUCTIONS
FOR HAIL GUARDS
(CAT # 47W21)



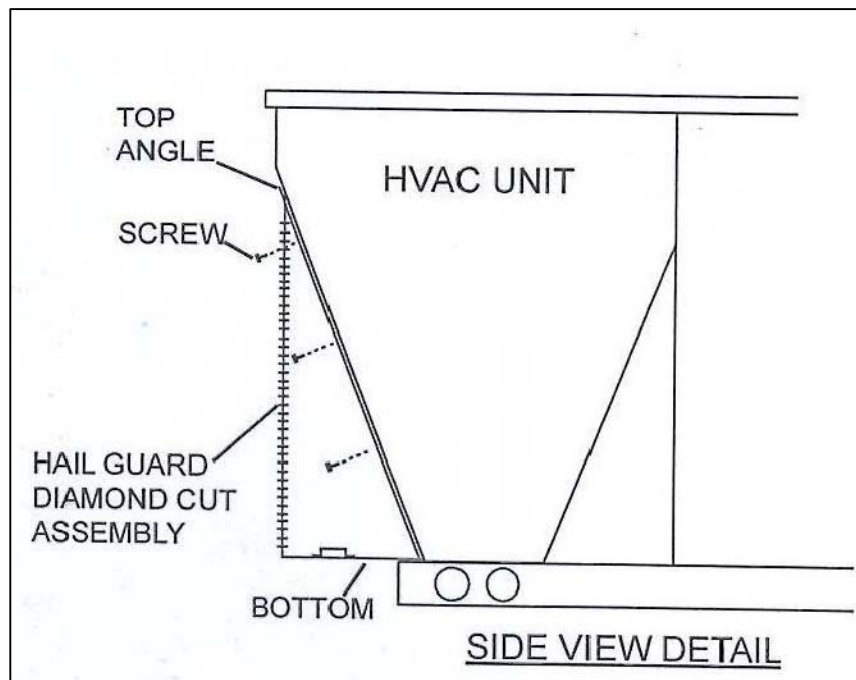
1. ATTACH THE GUARD SIDES (C & D) TO CONDENSER COIL. ALIGN THE HOLES ON THE GUARD'S FLANGE WITH THE HOLES / SCREWS IN THE HVAC UNIT. DO NOT REMOVE SCREWS THAT FALL INSIDE SLOTS ON BOTH LEFT & RIGHT SIDES. SECURE IN PLACE. SEE "SIDE VIEW DETAIL."
2. INSERT THE HAIL GUARD SCREEN (DIAMOND CUT) (E) BETWEEN LEFT SIDE (D) & RIGHT SIDE (C). LOCATE THE TABS ON THE SCREEN ASSEMBLY INTO THE SLOTS GIVEN IN THE SIDES.
3. LOCK THE HAIL GUARD BY BENDING THE TABS OVER TO SECURE THEM FIRMLY IN THE PLACE.

***CAUTION!!
BE CAREFUL NOT TO DAMAGE THE COIL WHILE
INSTALLING THE GUARD!!!!***

INSTALL INSTRUCTIONS FOR HAIL GUARDS (CAT # 47W21)

4. PLACE THE HAIL GUARD BOTTOM PANEL AGAINST THE UNIT BASE RAIL & POSITION BOTTOM PANEL (B) FLANGES TO THE OUTSIDE OF THE SIDE PANELS (C & D) USING SUPPLIED 10-16 X 1/2" SCREWS.

5. ATTACH THE TOP ANGLE IN PLACE BY SCREWING TO SIDES.



PACKING LIST :-

HAIL GUARD TOP ANGLE- 1 PC.

HAIL GUARD BOTTOM (B) -1 PC.

HAIL GUARD RIGHT SIDE (C) -1 PC.

HAIL GUARD LEFT SIDE (D) -1 PC.

HAIL GUARD DIAMOND SCREEN - (E) - 1 PC

#10 X 1/2" SHEET METAL SCREWS - 24 PCS.