



INSTALL INSTRUCTIONS FOR CONSOLIDATED COIL/HAIL GUARD TO SUIT LENNOX CAT # 13R98

⚠ CAUTION

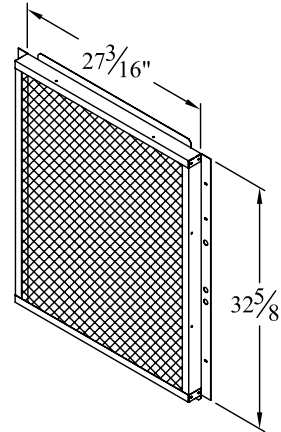
WHEN INSTALLING COIL GUARD BE SURE
NOT TO PUNCTURE CONDENSER COIL

1. THE 13R98 COIL GUARDS ARE DESIGNED TO
PROTECT THE CONDENSOR COIL OF THE HVAC UNIT.

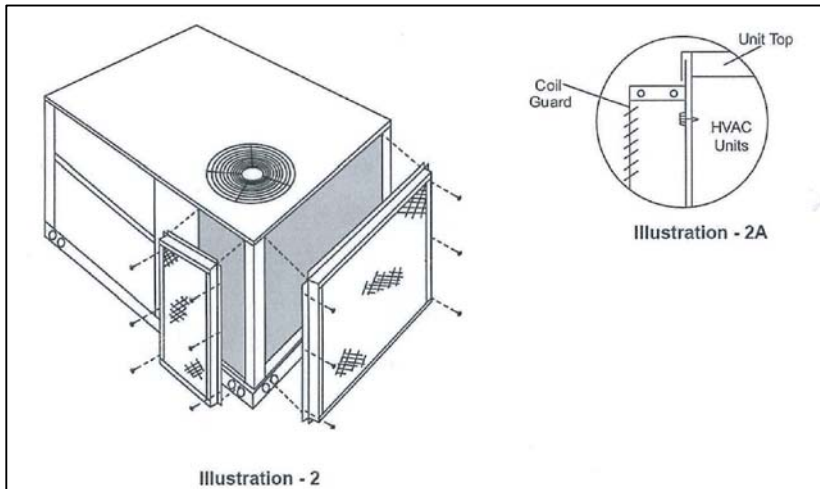
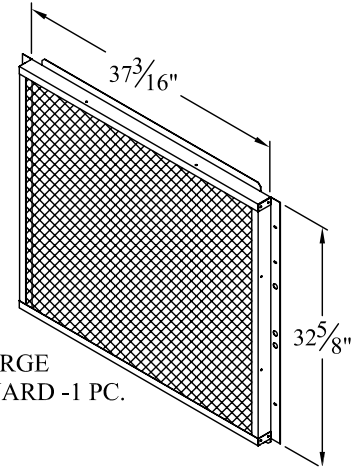
THE FOLLOWING ARE INCLUDED:-
SHIPPING AND PACKING LIST

- 1- SMALL COIL GUARD
- 1- LARGE COIL GUARD
- 1- HARDWARE BAG W/
 - 1-INSTRUCTIONS
 - 20-#10-1/2" SCREWS

SMALL
GUARD -1 PC.



LARGE
GUARD -1 PC.



INSTALLATION

1. DISCONNECT ALL POWER SOURCES TO THE UNIT.
2. SLIDE THE TOP FLANGE OF SMALL COIL GUARD UNDERNEATH THE TOP FLANGE OF THE HVAC UNIT. (SEE ILL. 2 AND 2A)
3. SCREW THE SIDE FLANGES OF THE GUARD WITH THE UNIT. TO AVOID COIL DAMAGE, USE ONLY 1/2" SCREWS PROVIDED.

**NOTE:- BE CAREFUL NOT TO DAMAGE THE COIL WHILE
INSTALLING THE GUARD.**

**THE SELF DRILLING SCREWS PROVIDED CAN BE USED
ON ALL THE SIDES WITH OR WITHOUT MATCHING
HOLES IN THE UNIT.**

5000300 LCCGH010

APR.,01,2015



INSTALL INSTRUCTIONS FOR
CONSOLIDATED COIL/HAIL GUARD
TO SUIT
LENNOX CAT # 13R98

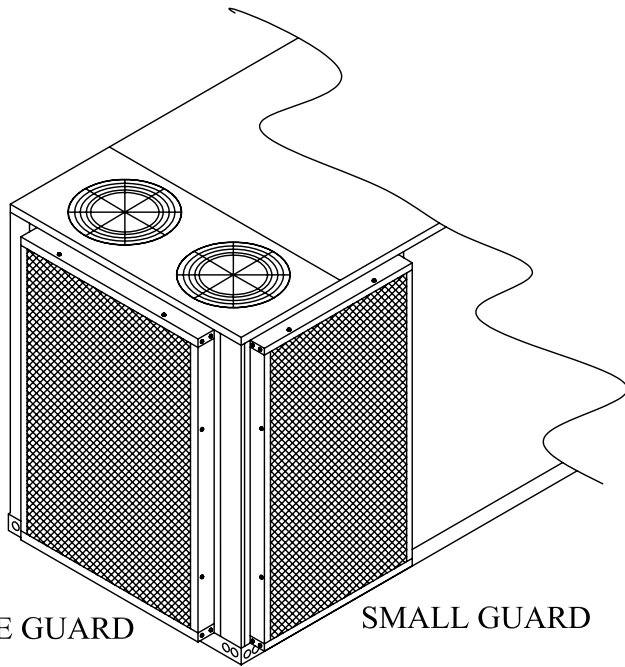


FIG. 2

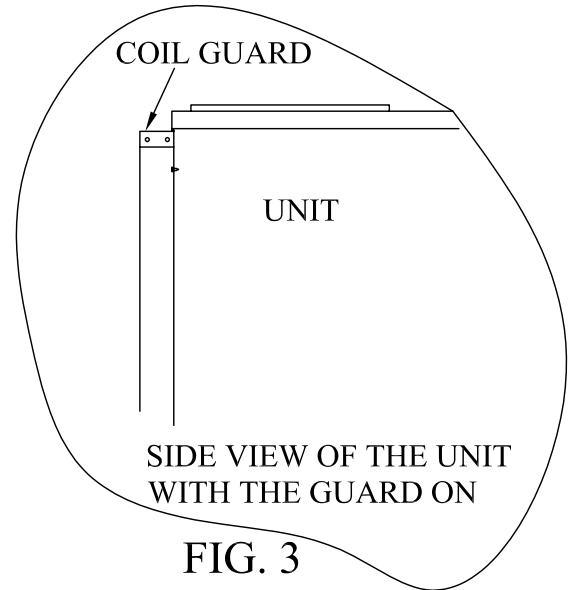


FIG. 3

5. REPEAT THE PROCESS FOR THE LARGE GUARD. TO AVOID COIL DAMAGE, USE ONLY SCREWS PROVIDED.