



INSTALL INSTRUCTIONS FOR HAIL GUARDS (CAT# 12X19 & 12X20)

CAUTION

**WHEN INSTALLING COIL GUARD BE SURE
NOT TO PUNCTURE CONDENSER COIL**

The 12X19 and 12X20 coil guards are designed to prevent damage to the condenser coil of the HVAC unit. The following parts are included:

SHIPPING AND PACKING LIST

- 1 - Front Coil Guard
- 1 - Right Coil Guard
- 1 - Rear Coil Guard
- 1 - Hardware bag w/
 - 1 - Instructions
 - 18 - #10 x 1/2" screws

INSTALLATION

1. Disconnect all power sources to HVAC unit.
2. Slide the top flange of front coil guard underneath the top flange of HVAC unit. (See Ill. 2A.)
3. Screw the side flanges of front guard to unit. (See Ill. 2.) To avoid coil damage, only use the 1/2" screws provided. (See Ill. 2 and 2A.)

NOTE: The screws provided are self-drilling as there are no mating holes in unit.

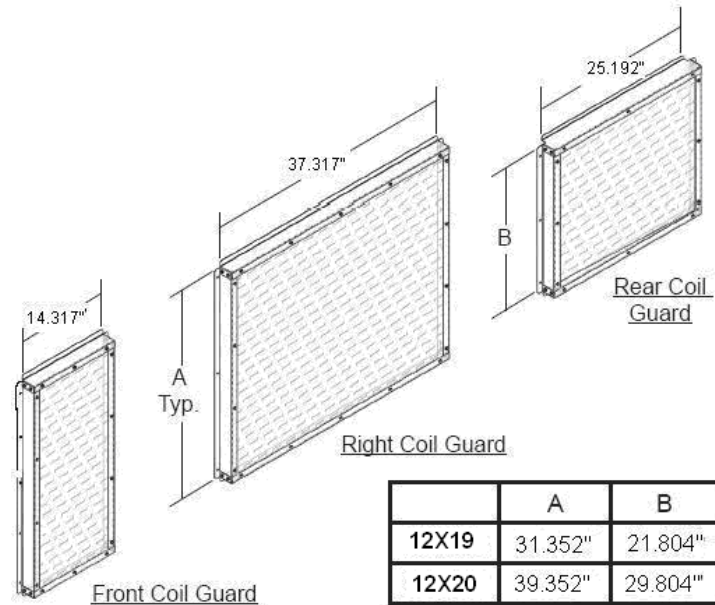


Illustration - 1

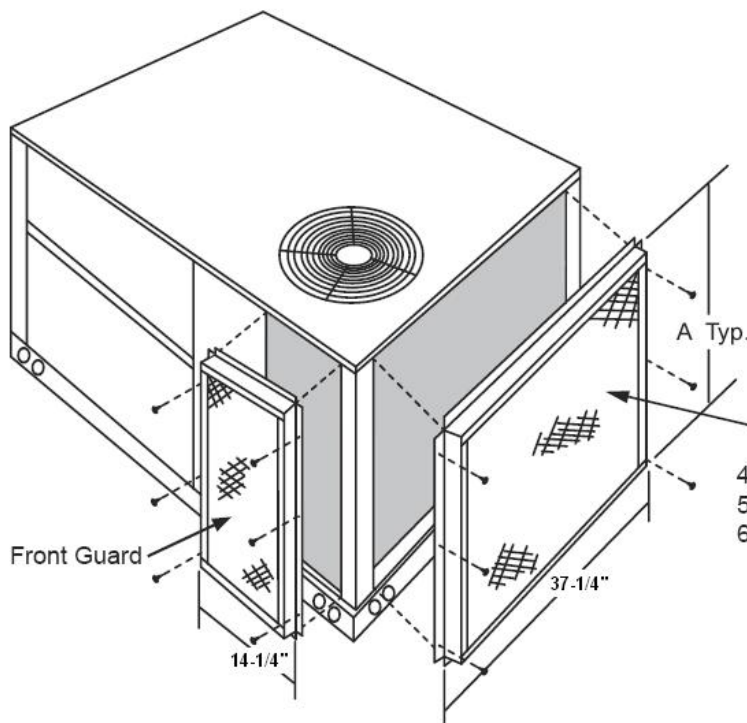


Illustration - 2

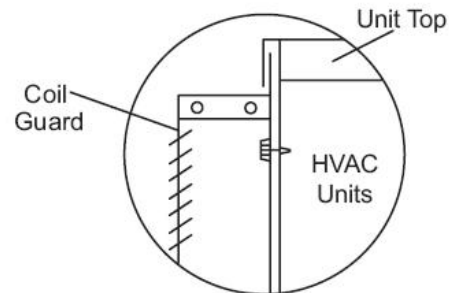


Illustration - 2A

4. Repeat the process for right guard. (See Ill. 2 and 2A.)
5. Remove control box panel cover from unit. (See Ill. 3.)
6. Slide the top flange of rear guard underneath control box flange. (See Ill. 3 and 3A.)

5000324
AUG., 19, 2015



7. Screw side flanges of rear guard to unit. (See Ill. 3.) To avoid coil damage only use 1/2" long screws provided.
- NOTE: Screws are self-drilling as there are no mating holes in unit.
8. Re-install control box cover over control box. (See Ill. 3A.)

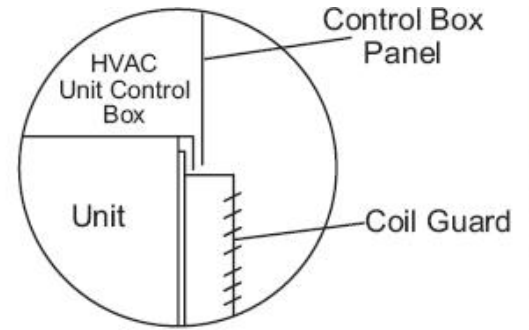


Illustration - 3A

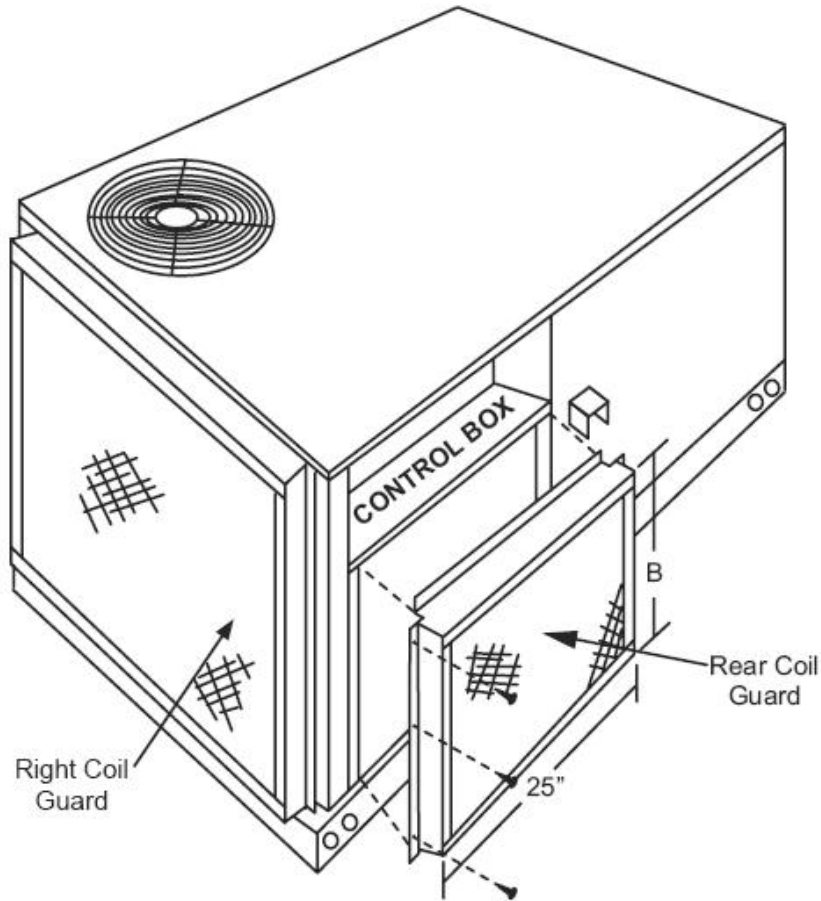


Illustration - 3

5000324
AUG., 19, 2015