

**INSTALLATION INSTRUCTIONS FOR UNIT STAND KIT (45K31 AND 45K32)
USED WITH VARIOUS AIR HANDLERS**

Shipping & Packing List

Package 1 of 1 contains:

1 - Unit stand

Application

Unit stand kit 45K31 (16-1/4" across the front) is for use with narrow cabinets and unit stand kit 45K32 (21-1/4") is for use with wider cabinets. Check your unit's installation manual for dimensions to ensure correct application.

Installation

1. Adjust unit stand depth to fit blower coil unit.
2. Tighten side rail thumb screws to secure in place.
3. Notice that raised flange edge goes to the back.
4. Set unit on stand and run duct as specified for application.

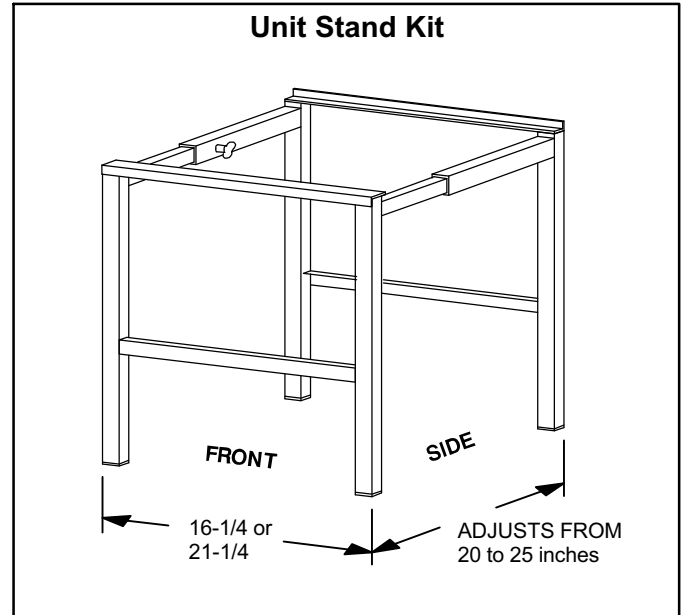


Figure 1