

**INSTALLATION INSTRUCTIONS FOR COIL REPLACEMENT KITS  
USED WITH ELITE®, DAVE LENNOX SIGNATURE® COLLECTION, AND  
S-CLASS® COMMERCIAL SPLIT SYSTEM HEAT PUMPS**

**General**

This document provides coil replacement instructions supporting all models of Elite®, Dave Lennox Signature® Collection and S-Class® Split System heat pumps. See table 1 for a list of heat pump replacement coils.

**Shipping and Packing List**

Package 1 of 1 contains:

- Heat Pump coil
- Bag assembly which contains the following:
  - 1 - 3/8" coupling
  - 1 - 3/4" or 7/8" coupling
  - 1 - Installation instructions

Check the replacement coil for shipping damage. If you find any damage, immediately contact the last carrier.

**Requirements**

Verify that the coil has holding charge. Remove the cap from the discharge stub and press the valve core. The coil should have approximately 10 psi dry air holding charge. If there is no charge, repressurize the coil and check for leaks or any damage to the coil that may have caused a leak.

**Installation**

**⚠ WARNING**

Improper installation, adjustment, alteration, service or maintenance can cause personal injury, loss of life, or damage to property.

Installation and service must be performed by a licensed professional installer (or equivalent) or a service agency.

**⚠ CAUTION**

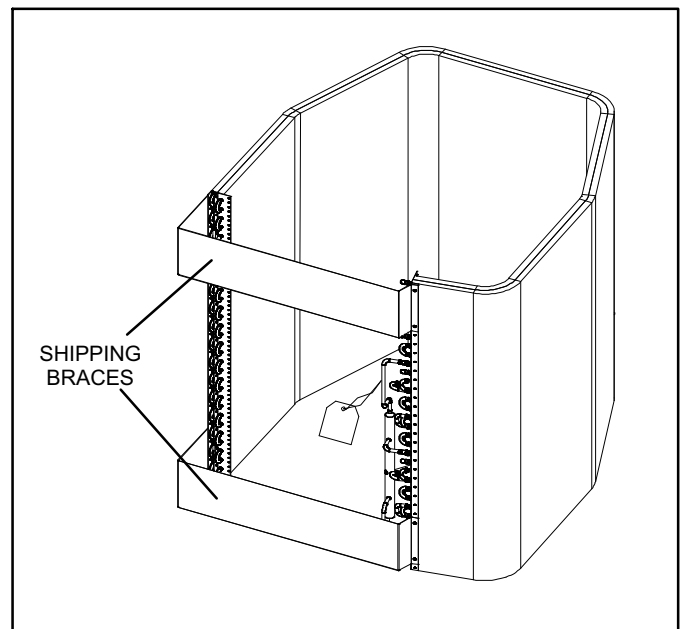
As with any mechanical equipment, contact with sharp sheet metal edges can result in personal injury. Take care while handling this equipment and use protective clothing.

**⚠ WARNING**



Electric Shock Hazard. Can cause injury or death. Unit must be grounded in accordance with national and local codes.

Line voltage is present at all components when unit is not in operation on units with single-pole contactors. Disconnect all remote electric power supplies before opening access panel. Unit may have multiple power supplies.



**Figure 1. Replacement Heat Pump Coil**

**⚠ IMPORTANT**

The Clean Air Act of 1990 bans the intentional venting of refrigerant (CFCs, HCFCs AND HFCs) as of July 1, 1992. Approved methods of recovery, recycling or reclaiming must be followed. Fines and/or incarceration may be levied for noncompliance.

## Installation — Contd.

1. Disconnect all power to the unit.
2. Reclaim the refrigerant from the unit.
3. Remove access panel, side (louvered) panels, top panel, and corner posts. Remove the screws that attach the coil endplate to the control box and compressor enclosure. Keep the screws.
4. Unscrew the liquid line service valve and suction valve brackets from the coil.
5. Figure 2 is a typical internal view of most models. The circled area in the diagram identifies where the following cuts will be made.
6. Remove the TXV sensing bulb from the suction line.

### WARNING



Danger of fire. Bleeding the refrigerant charge from only the high side may result in the low side shell and suction tubing being pressurized. Application of a brazing torch while pressurized may result in ignition of the refrigerant and oil mixture - check the high and low pressures before unbrazing.

### WARNING



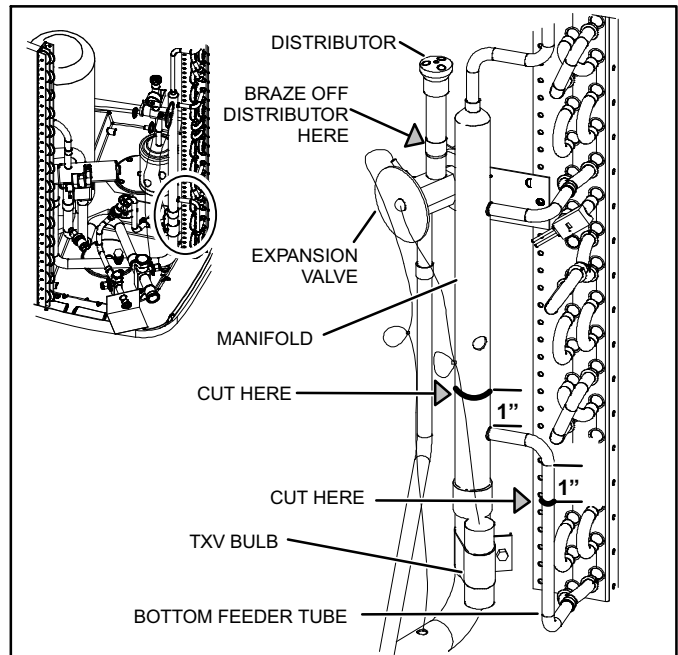
When using a high pressure gas such as dry nitrogen to pressurize a system, use a regulator that can control the pressure down to 1 or 2 psig (6.9 to 13.8 kPa).

7. Wrap a wet cloth around the expansion valve to protect it from heat damage. Braze off the distributor from the expansion valve.
8. Use a tubing cutter to cut the manifold approximately one inch from the bottom feeder tube. Cut the bottom feeder tube approximately one inch from its elbow.
9. Remove the existing coil.
10. Remove the shipping braces from the new coil. Press the valve core to remove the holding charge from the replacement coil. Use a tubing cutter to cut the manifold approximately one inch from the bottom feeder tube. Cut the bottom feeder tube approximately one inch from its elbow.
11. Braze the plug from the end of the distributor.
12. Align the manifold and feeder tube on the replacement coil with those in the unit. Install the provided couplings between the two tubes. Braze the couplings into place. See figure 3.
13. Braze the distributor to the expansion valve.
14. Reattach the liquid and suction service valves.

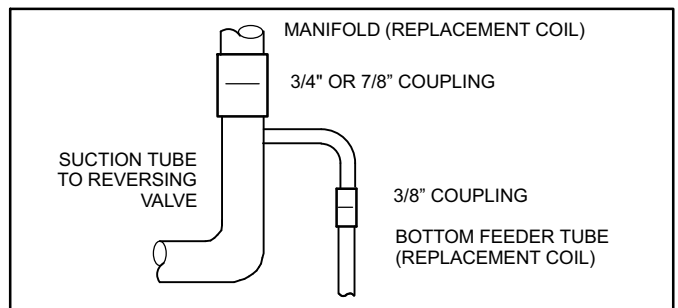
15. Replace the screws that attach the coil endplate to the control box and compressor enclosure.
16. Replace the corner posts, side (louvered) panels, and top panel.
17. Refer to the unit installation instructions for leak testing, evacuation, and start-up procedures. Charge the unit as outlined on the charging sticker.
18. Once you have installed the replacement coil, start the compressor and observe the discharge line. Verify that there is minimal vibration between the shock loop and the manifold on the outdoor coil's discharge line.
19. If there is visible motion, apply weight kit 38K46 to the discharge line. Install the weight kit on the horizontal run after the shock loop, or other suitable area to achieve acceptable results. Rotate the weight kit on the tubing to change vibration characteristics.

**NOTE** - Visible motion could result in a future failure of the replacement coil.

20. Replace access panel.



**Figure 2. Coil Cut Locations - Most Models**



**Figure 3. Replacement Line & Coupling**

**Table 1. Heat Pump Replacement Coils**

Applicable Model	Lennox Original Catalog Number	Lennox Original Part Number	Applicable Model	Lennox Original Catalog Number	Lennox Original Part Number
HP13-018-230-01	13W92	LB-110823K	XP16-024-230-03,04	95M85	LB-110823D
HP13-024-230-01	13W93	LB-110823L	XP16-024-230-05,06,07,08	27W63	LB-110823T
HP13-030-230-01	13W94	LB-110823M	XP16-036-230-01 through 04	95M88	LB-110823G
HP13-036-230-01	13W95	LB-110823N	XP16-036-230-05,06,07	59W17	LB-110823AA
HP13-042-230-01	95M88	LB-110823G	XP16-036-230-08	10A77	LB-110823AN
HP13-048-230-01,02	13W96	LB-110823P	XP16-048-230-01 through 04	95M90	LB-110823J
HP13-060-230-01,02	13W97	LB-110823R	XP16-048-230-05,06,07	59W18	LB-110823AB
XP13-018-230-01through -07	95M85	LB-110823D	XP16-060-230-01 through 04	13W97	LB-110823R
XP13-018-230-08,09	79W24	LB-110823AD	XP16-060-230-05,06,07	27W66	LB-110823Y
XP13-024-230-01 through 07	95M85	LB-110823D	SPB036H4S4-01,02,03,04	95M88	LB-110823G
XP13-024-230-08,09,10	79W25	LB-110823AE	SPB036H4S4-05-06	59W17	LB-110823AA
XP13-030-230-01 through 07	95M86	LB-110823E	SPB036H4S4-07	10A77	LB-110823AN
XP13-030-230-08,09	79W26	LB-110823AF	SPB0480H4S4-01,02,03,04	95M90	LB-110823J
XP13-036-230-01 through 07	95M87	LB-110823F	SPB048H4S4-05-06-07	59W18	LB-110823AB
XP13-036-230-08,09	79W27	LB-110823AG	SPB060H4S4-01,02,03,04	13W97	LB-110823R
XP13-037-230-01,02,03	95M88	LB-110823G	SPB060H4S4-05-06-07	27W66	LB-110823Y
XP13-042-230-01 through 05	95M88	LB-110823G	XP17-024-230-01 through 08	93M43	LB-110823A
XP13-042-230-08,09,10	79W28	LB-110823AH	XP17-030-230-01 through 08		
XP13-048-230-01 through 05	95M89	LB-110823H	XP17-036-230-01,02,03,04,05,07,08	93M44	LB-110823B
XP13-048-230-08,09,10	79W27	LB-110823AG	XP17-042-230-01,02,03,04,05,07,08		
XP13-060-230-01 through 07	95M90	LB-110823J	XP17-048-230-01,02,03,04,05,07,08	24W24	LB-110823S
XP13-060-230-08,09	79W29	LB-110823AJ	XP17-060-230-01,02,03,04,05,07,08		
XP14-018-230-01 through 07	13W94	LB-110823M	XP17N-024-230-01,02	93M43	LB-110823A
XP14-018-230-08,09	79W26	LB-110823AF	XP17N-030-230-01,02	93M44	LB-110823B
XP14-024-230-01 through 07	13W94	LB-110823M	XP17N-036-230-01,02	24W24	LB-110823S
XP14-024-230-08,09	82W10	LB-110823AK	XP19-024-230-01,02,03,05,06	93M43	LB-110823A
XP14-030-230-01 through 07	27W63	LB-110823T	XP19-036-230-01,02,03,05,06	93M44	LB-110823B
XP14-030-230-08,09	82W10	LB-110823AK	XP19-048-230-01,02,03,05,06	24W24	LB-110823S
XP14-036-230-01,02,03	27W64	LB-110823W	XP19-060-230-01,02,03,05,06		
XP14-036-230-08,09,10	95M88	LB-110823G	XPG20-036-230-01	93M44	LB-110823B
XP14-042-230-01,02,03,08,09	27W65	LB-110823X	XPG20-048-230-01	24W24	LB-110823S
XP14-048-230-01.02.03,08,09			XPG20-060-230-01		
XP14-060-230-01.02.03,08,09	27W66	LB-110823Y	XP20-024-230	13U22	LB-110823AP
XP15-024-230-01,02,03,04	93M43	LB-110823A	XP20-036-230	13U23	LB-110823AR
XP15-030-230-01,02,03,04			XP20-048/060-230	13U24	LB-110823AS
XP15-036-230-01,02,03,04	93M44	LB-110823B	XP21-024-230-01 through 06	93M43	LB-110823A
XP15-042-230-01,03,04			XP21-036-230-01,02,03,04,05	93M44	LB-110823B
XP15-048-230-01,03,04	24W24	LB-110823S	XP21-048-230-01,02,03,04,05	24W24	LB-110823S
XP15-060-230-01,03,04			XP21-060-230-01,02,03,04,05	72W80	LB-11823AC
XPG15-024-230-01,02	93M43	LB-110823A	XP21N-036-230-01,02	93M44	LB-110823B
XPG15-030-230-01,02			XP21N-048-230-01,02	24W24	LB-110823S
XPG15-036-230-01	93M44	LB-110823B	XP25-024-230	10A75	LB-110823AL
XPG15-042-230-01			XP25-036-230	10A76	LB-110823AM
XPG15-048-230-01	24W24	LB-110823S	XP25-048-230	24W24	LB-110823S
XPG15-060-230-01			XP25-060-230	72W80	LB-11823AC