

**INSTALLATION INSTRUCTIONS FOR DIRTY FILTER SWITCH KIT (603364-03, 04, 05;
 53W66, 53W67, 53W68) USED ON LGH/LCH UNITS**

Shipping and Packing List

Package 1 of 1 contains:

- 1- Filter switch (S27)
- 1- Plastic tubing
- 2- Screws

Application

Filter switch kit is used on LGH/LCH036-300S (3 to 25 ton) packaged units. See table 1 for usage.

The normally open filter switch will close with an increase in static pressure.

The Unit Controller will display and store an error code and energize a service output. See Unit Controller manual provided with unit.

TABLE 1

Unit Voltage	Kit
036-072	603364-03; 53W66
092-150	603364-04; 53W67
156-300S	603364-05; 53W68

Installation

- 1- Disconnect all electrical power to unit. Open filter access door.
- 2- Install filter switch in location shown in figure 1 for 036-072 units, figure 2 for 092-150 units, and figure 3 for 156-300S units
- 3- Connect one end of plastic tubing to the filter switch port. See figure 4.

⚠ WARNING

Improper installation, adjustment, alteration, service or maintenance can cause property damage, personal injury or loss of life. Installation and service must be performed by a qualified installer, service agency or the gas supplier

⚠ CAUTION

Danger of sharp metallic edges. Can cause injury. Take care when servicing unit to avoid accidental contact with sharp edges.

- 4- Route the other end of plastic tubing as shown in appropriate figure.
- 5- Locate wires marked S27-C and S27-NO hanging near filter switch. Connect wire marked S27-C to the switch common terminal. Connect wire marked S27-NO to the switch NO terminal. See figure 4.
- 6- **Prodigy 2.0 - M3 Unit Controller Setup:** To enable the Dirty Filter Switch (S27), Go to **SETUP / INSTALL** and navigate through the various setup questions until **Configuration ID 2** appears. Position **two** needs to set to either **C** if installed on M3 Unit Controller or **D** if installed on DDC controller.

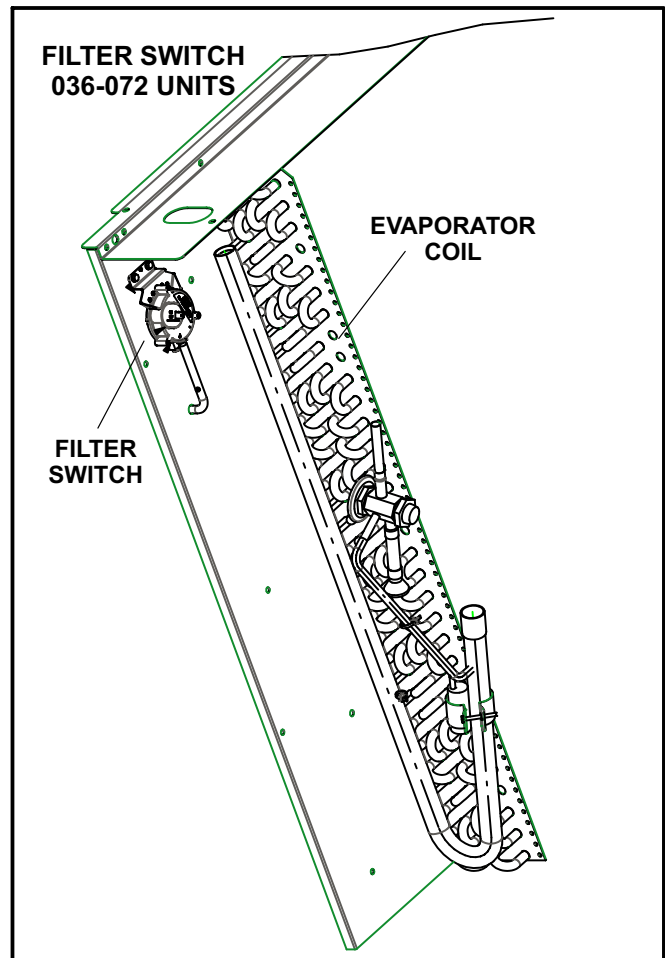


FIGURE 1

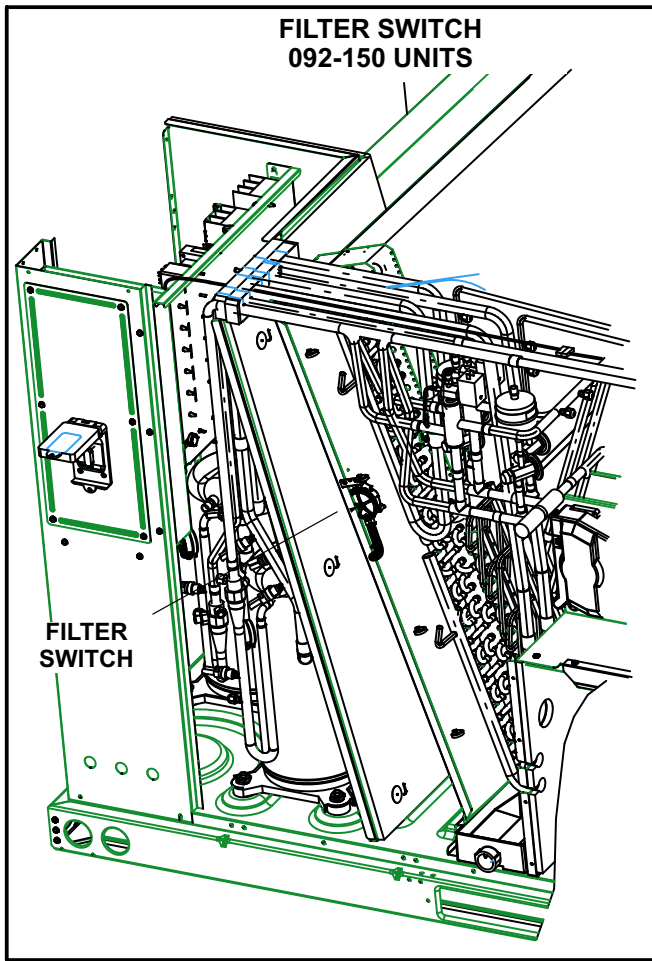


FIGURE 2

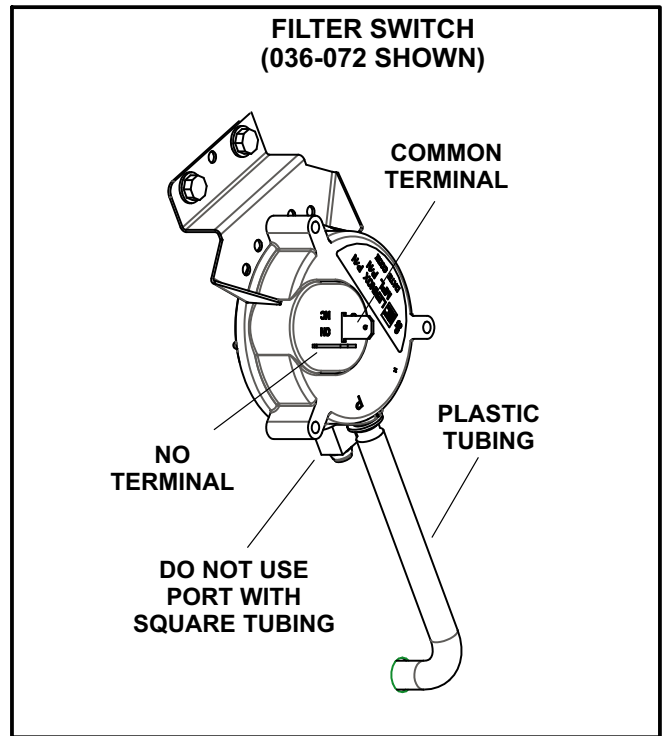


FIGURE 4

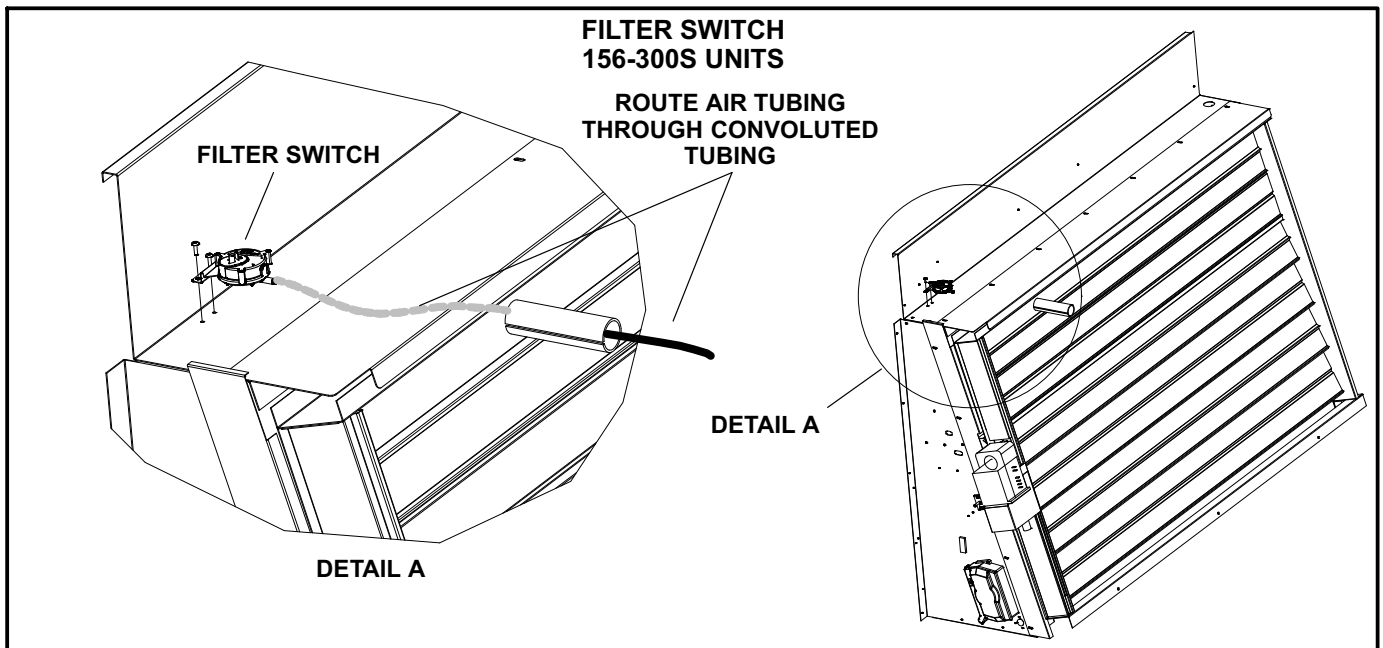


FIGURE 3