

**INSTALLATION INSTRUCTIONS FOR BLOWER PROVING SWITCH KIT  
(603364-02; 53W65) USED ON PACKAGED LGH/LCH036-300S UNITS**

**Shipping and Packing List**

**Package 1 of 1 contains:**

- 1- Air flow switch (S52)
- 1- Air flow fitting
- 1- Air flow tubing
- 2- Screws

**Application**

The Blower Proving Switch Kit is used on LGH/LCH036-300S (3 to 25 ton) units.

The normally open S52 air flow (blower proving) switch will close with an increase in static pressure when the blower is started.

Units which contain a Unit Controller will keep the heating and cooling functions locked out and also show an alarm in the system if the blower is not sensed. S52 is found on the "C" or control wiring diagram section in the unit.

**⚠ WARNING**

Improper installation, adjustment, alteration, service or maintenance can cause property damage, personal injury or loss of life. Installation and service must be performed by a qualified installer, service agency or the gas supplier

**Unit Controller Settings**

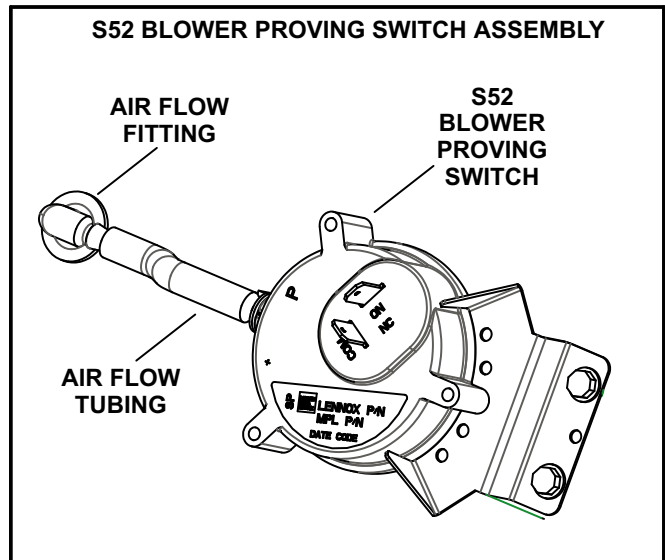
The blower proving switch is controlled by the Unit Controller. Use the Unit Controller manual provided with each unit to enable blower proving switch function.

Use the following menu:

- 1- **Prodigy M2 Unit Controller:** Go to **Settings > Install > Blower Proving Sw**
- 2- **Prodigy 2.0 M3 Unit Controller:** Go to **Setup > Install** and navigate through the various setup questions until **Configuration ID 2** appears. Position **one** needs to be set to either **C** for installed on M3 Unit Controller or **D** for installed on DDC controller.

**Installation**

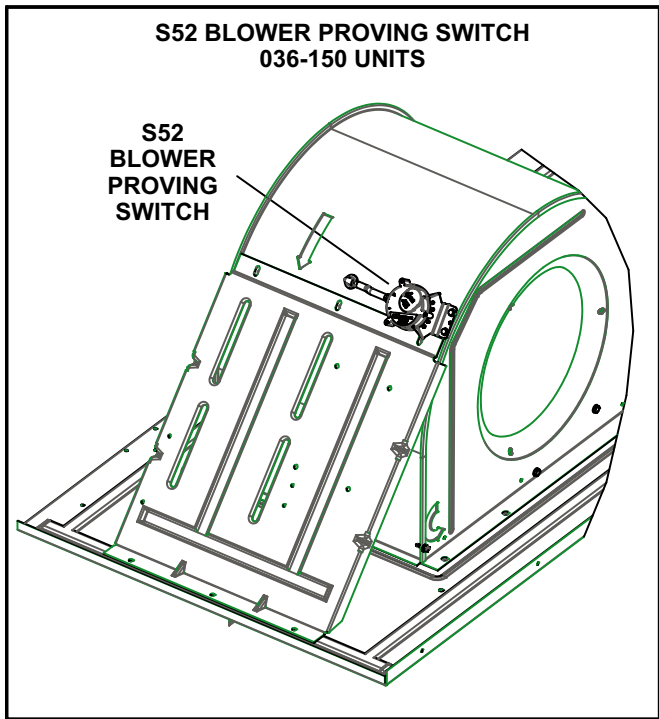
- 1- Open blower access doors and disconnect all electrical power to unit.
- 2- Cut air flow tubing to 2" for 036-072 and 156-300S units. Use length provided for 092-150 units.
- 3- Assemble air flow switch, tubing, and fitting as shown in figure 1.
- 4- Install switch assembly as shown in figure 2 for 036-150 units and figure 3 for 156-300S units. Snap the air flow fitting into the keyed hole. Secure the switch with two screws.



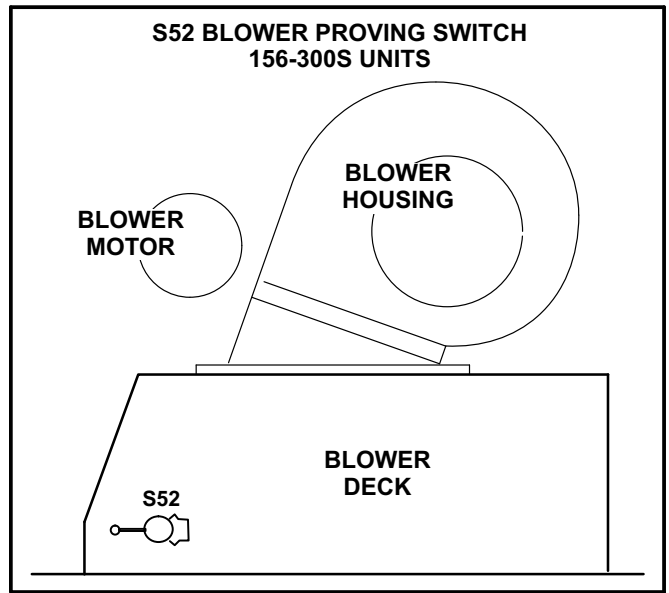
**FIGURE 1**

**⚠ CAUTION**

Danger of sharp metallic edges. Can cause injury. Take care when servicing unit to avoid accidental contact with sharp edges.



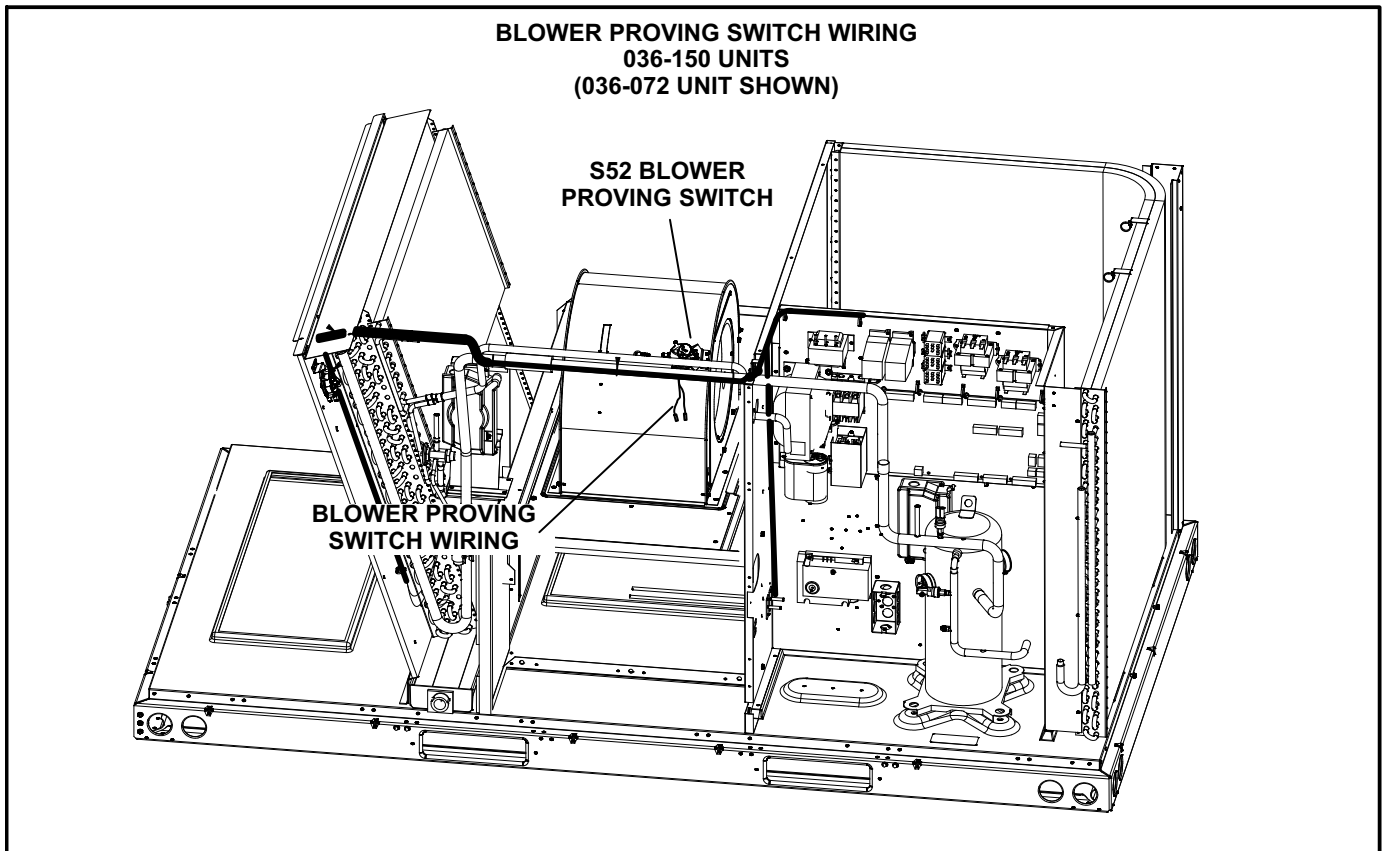
**FIGURE 2**



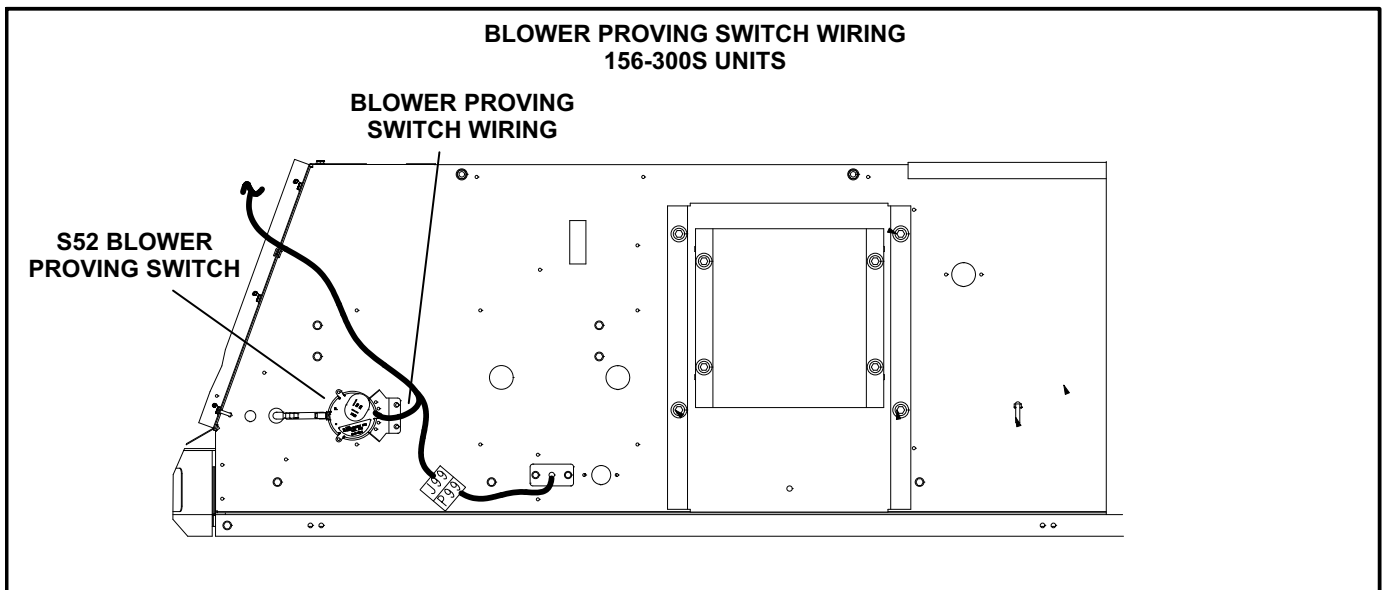
**FIGURE 3**

## Wiring

Locate the wires hanging near the blower proving switch labeled "S52". Connect wires to the blower proving switch terminals. See figure 4 for 036-150 units and figure 5 for 156-300S units.



**FIGURE 4**



**FIGURE 5**