

**INSTALLATION INSTRUCTIONS FOR COLD WEATHER KIT
 USED ON KG/LG 092-360 GAS PACKAGED UNITS**


WARNING

Improper installation, adjustment, alteration, service or maintenance can cause property damage, personal injury or loss of life. Installation and service must be performed by a qualified installer, service agency or the gas supplier


CAUTION

Danger of sharp metallic edges. Can cause injury. Take care when servicing unit to avoid accidental contact with sharp edges.

Shipping and Packing List

55W91, 55W92, 55W93 - Package 1 of 1 contains:

- 1- Heater assembly
- 1- Relay
- Wire harnesses
 - 1-604954-01 (LG units)
 - 1-604956-01 (KG units)
- 1- #8 Screw

58W28, 58W29, 58W30 -

Package 1 of 1 contains:

- 2- Heater assemblies
- 2- Relays
- Wire harnesses
 - 1-604784-01 (LG units)
 - 1-604785-01 (KG units)
- 4- #8 Screws

Application

The cold weather kit heats the gas heat compartment to allow gas valve operation during low outdoor temperatures. See table 1 for usage.

TABLE 1

Unit	Unit Voltage	Part No.	Cat. No.
092-150	Y	602947-01	55W91
092-150	G, M	602947-02	55W92
092-150	J	602947-03	55W93
156-360S	Y	604970-01	58W28
156-360S	G, M	604970-02	58W29
156-360S	J	604970-03	58W30

Installation - LGH092-150 Units

- 1- Disconnect all power to unit and open heat access panel. See figure 1.
- 2- Locate the kit harness labeled 604954-01 kit harness. Remove cold weather kit cover and connect wires labeled HR6 to the cold weather assembly. See figure 2. Replace cold weather kit cover. Discard harness labeled 604956-01 provided in kit
- 3- Install heater assembly in heat section as shown in figure 3. Use existing screws.
- 4- Route the remaining harness wires as shown in figure 3. Make wire connections as shown in figure 2.
- 5- Open control access panel and install K125 as shown in figure 4. Secure with #8 screws provided in kit.
- 6- Locate existing wires in control box and connect to K125 as shown in figure 4.

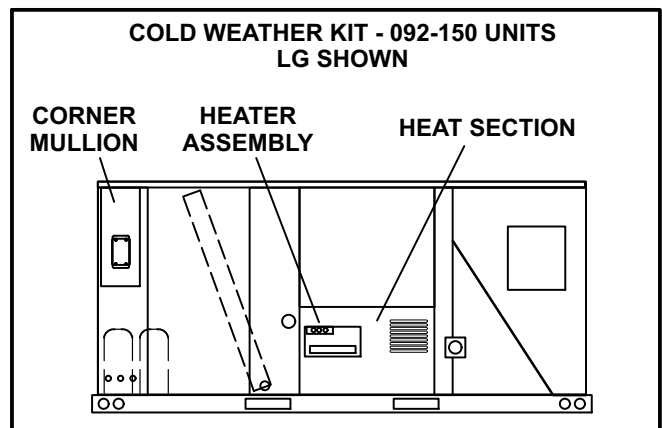


FIGURE 1

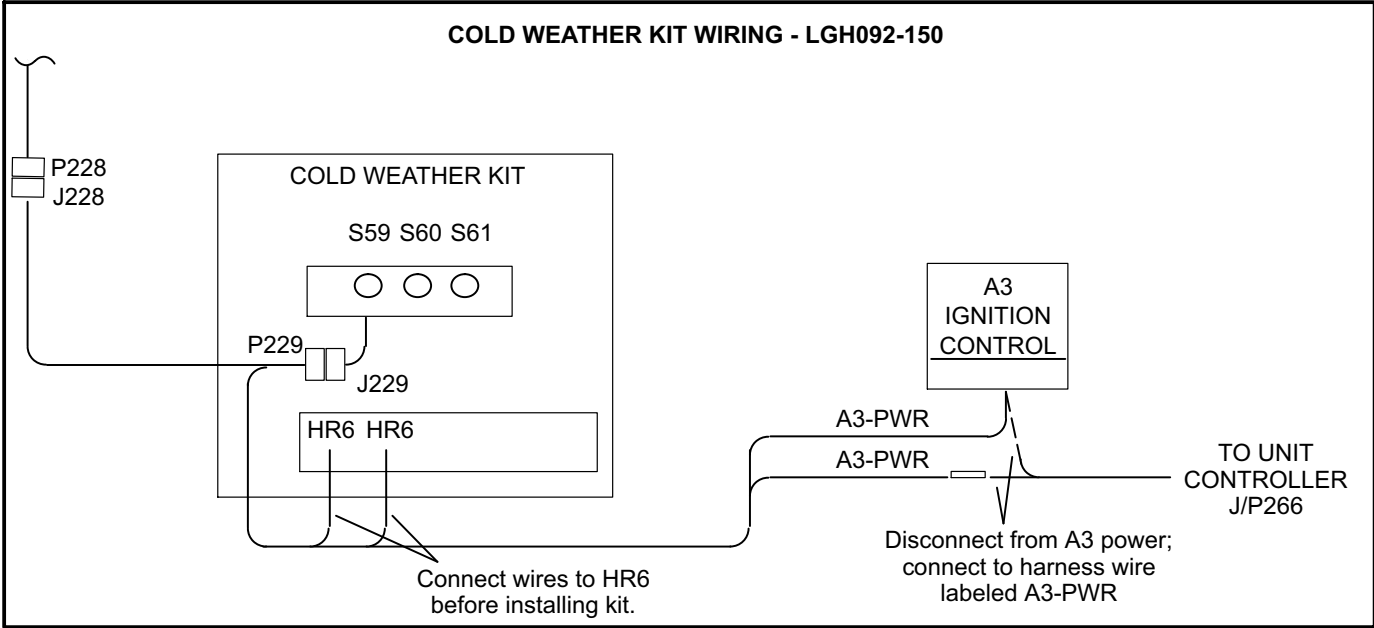


FIGURE 2

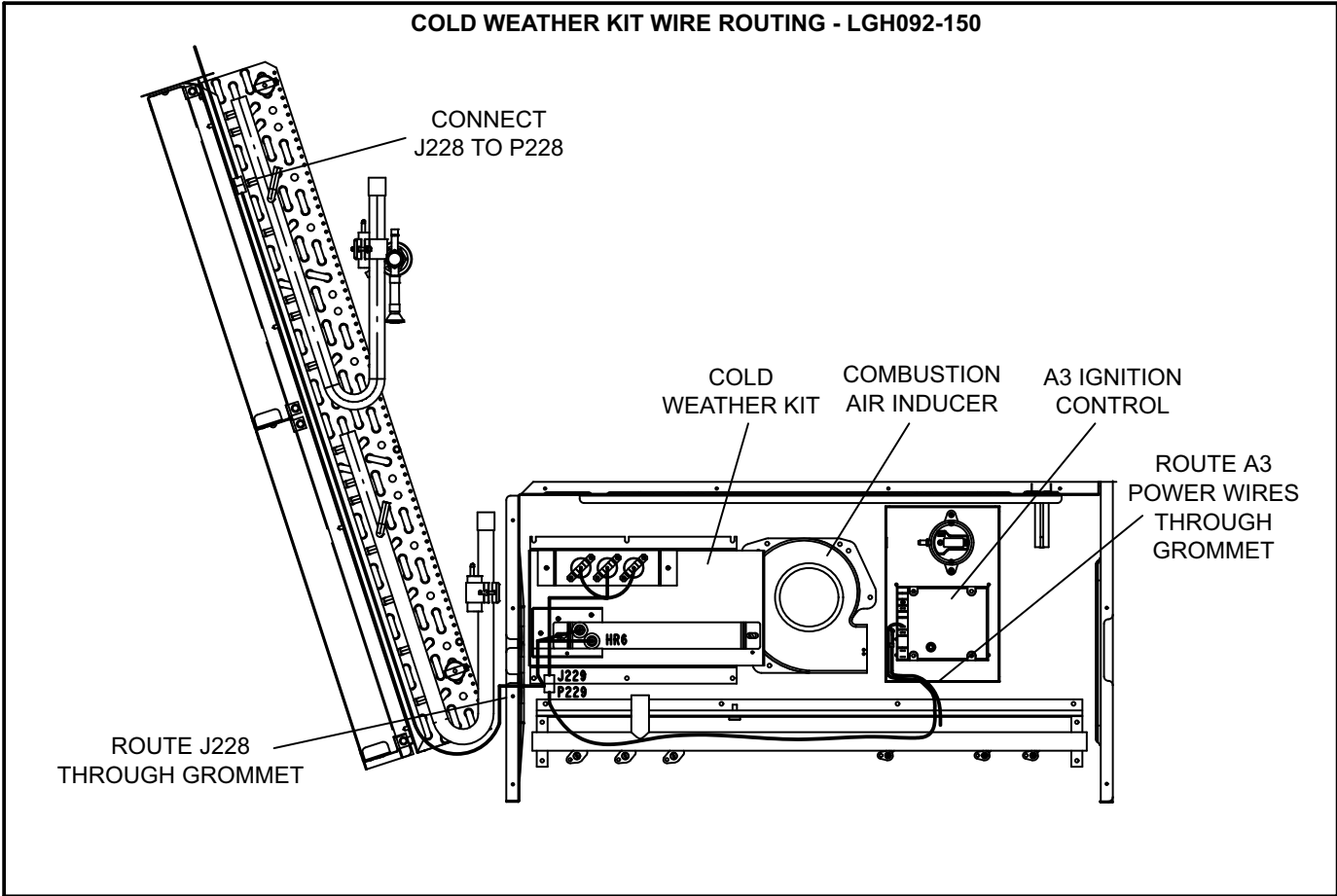


FIGURE 3

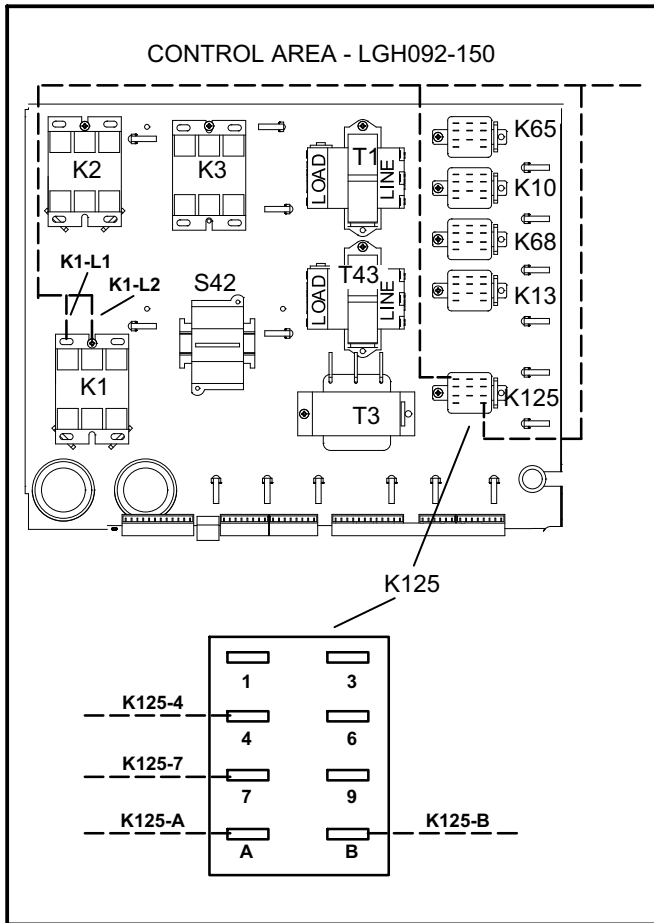


FIGURE 4

Installation - KG 092-150 Units

- 1- Disconnect all power to unit and open heat access panel. See figure 1.
- 2- Remove six screws that are holding the unit top to the compressor area corner mullion.
- 3- Locate the harness labeled 604956-01 and identify six wires labeled K1-L1, K1-L2, K125-4, K125-7, K125-A, and K125-B. Route the six wires from the heat section through the side grommet to the control box. See figure 5. Discard harness labeled 604954-01 provided in kit

- 4- Remove cold weather kit cover and connect wires labeled HR6 to the cold weather assembly. See figure 6. Replace cold weather kit cover.
- 5- Install heater assembly in heat section as shown in figure 3. Use existing screws.
- 6- Open control access panel and install K125 as shown in figure 4. Secure with #8 screws provided in kit.
- 7- Make wire connections as shown in figure 6.
- 8- Replace top panel and secure in place.

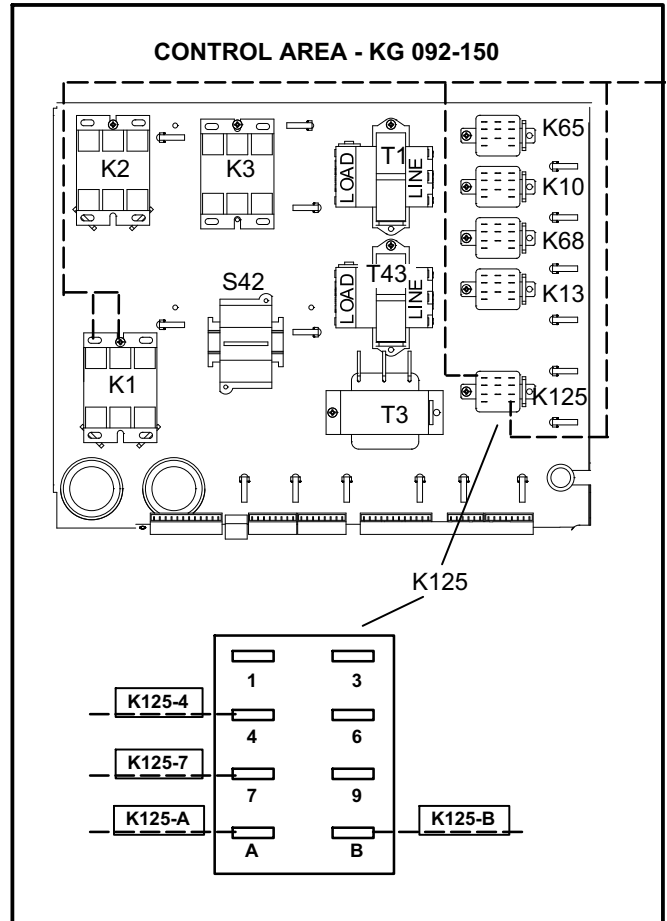


FIGURE 7

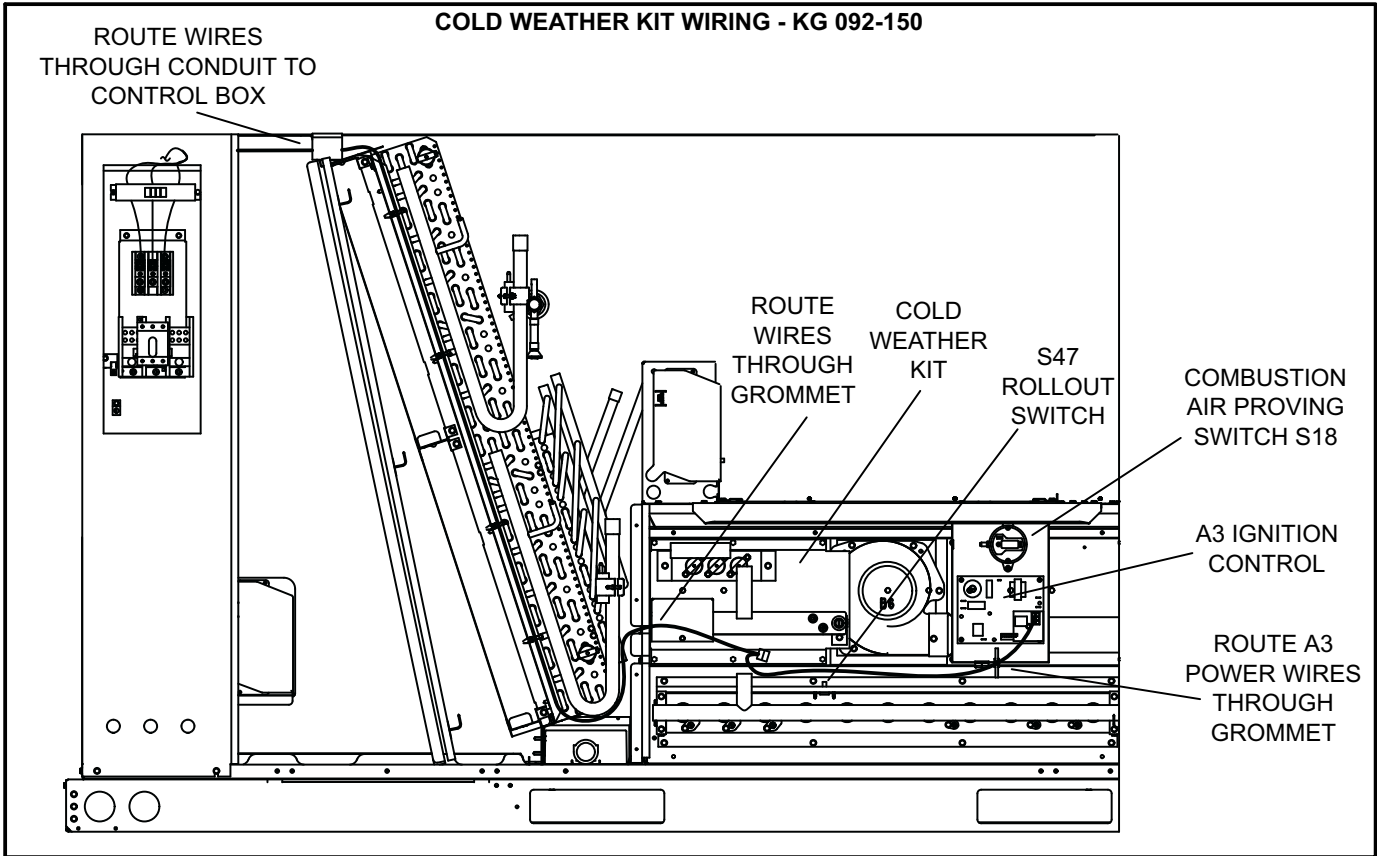


FIGURE 5

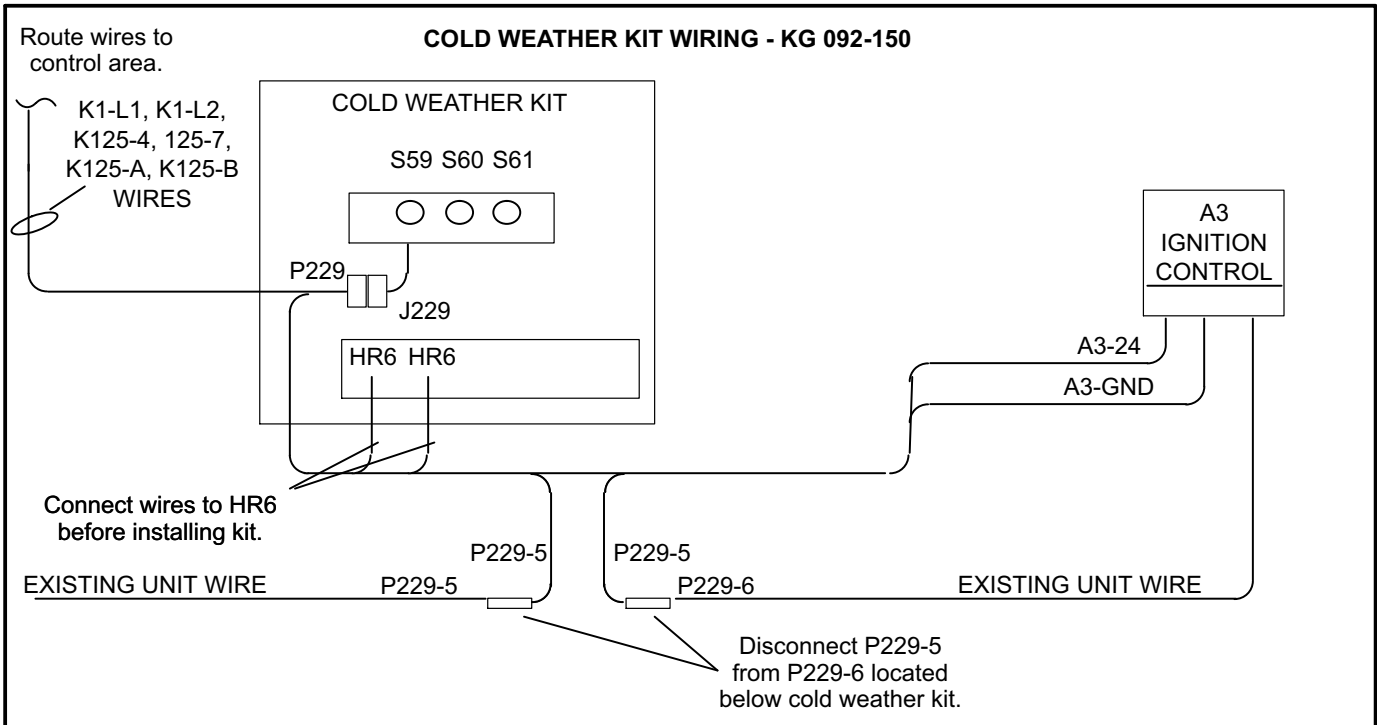


FIGURE 6

Installation - LGH156-300 Units

- 1- Disconnect all power to unit and open compressor access panels.
- 2- Install both cold weather assemblies as shown in figure 8. Use existing screws.
- 3- Install both K125 relays in control area above

compressors. Secure with #8 screws. See figure 9.

- 4- Locate harness labeled 604784-01 and route as shown in figure 9. Secure with wire ties. Discard harness labeled 604785-01.
- 5- Make wire connections as shown in figure 10.
- 6- Use wire ties to securely route and tie harness away from gas heat manifold.

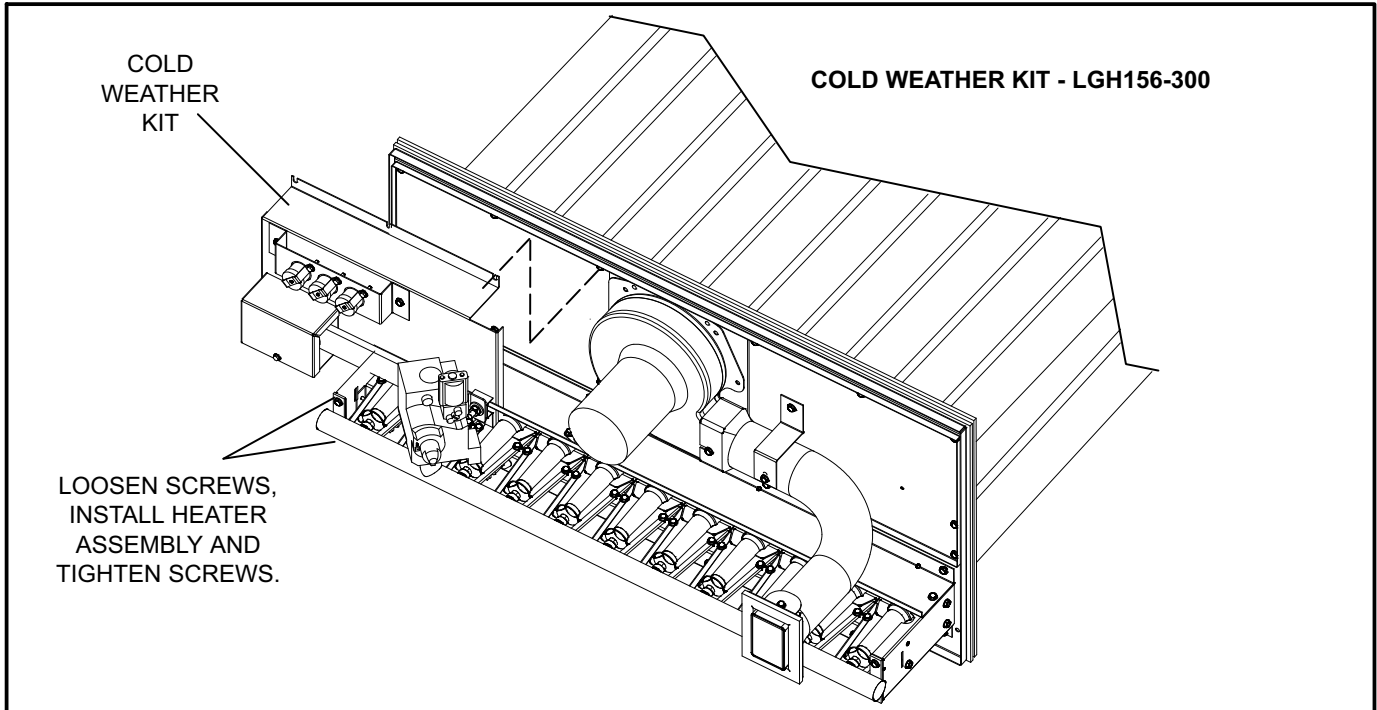


FIGURE 8

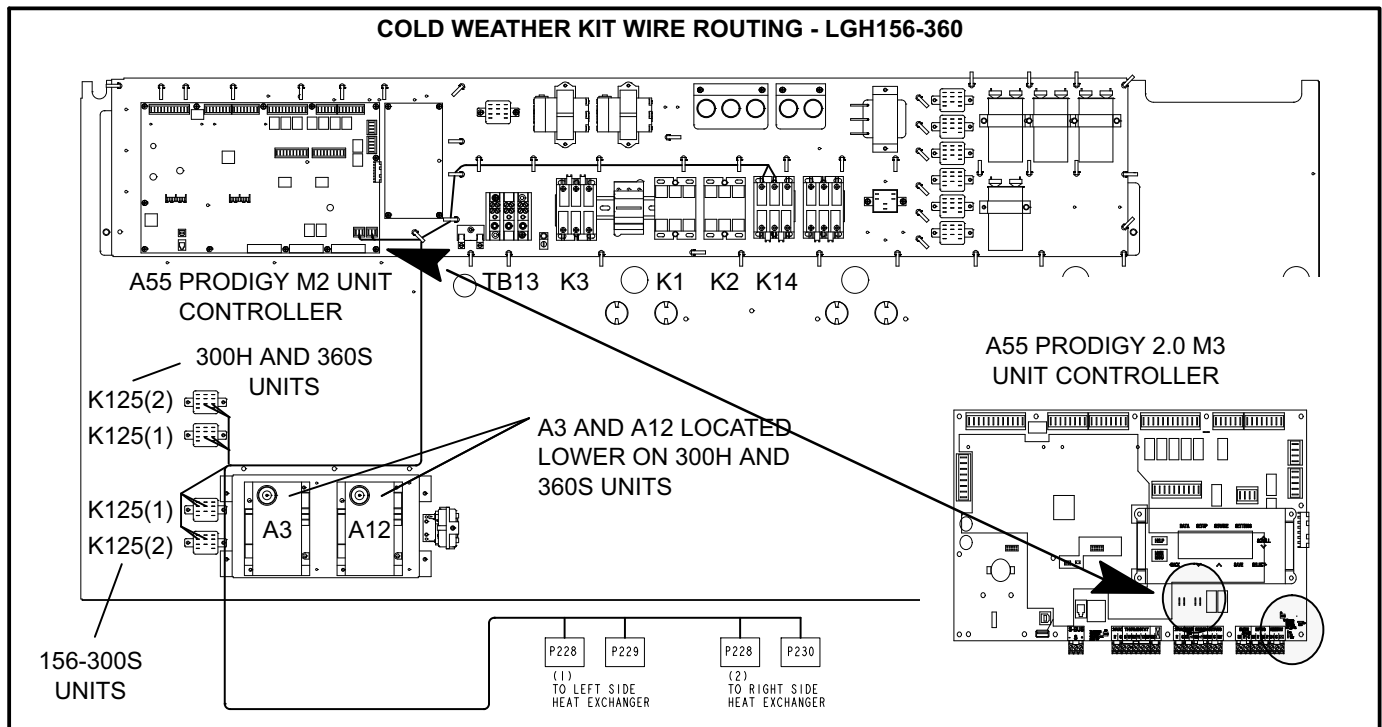


FIGURE 9

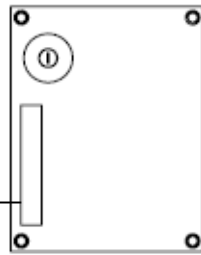
COLD WEATHER KIT WIRING - LGH156-360

A55 - PRODIGY 2.0
M3 UNIT CONTROLLER

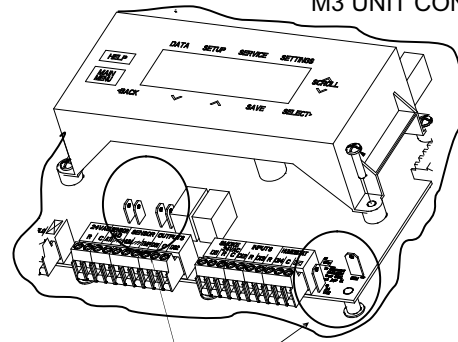
DISCONNECT WIRES
FROM IGNITION BOARD
A3 AND A12

--- KIT HARNESS

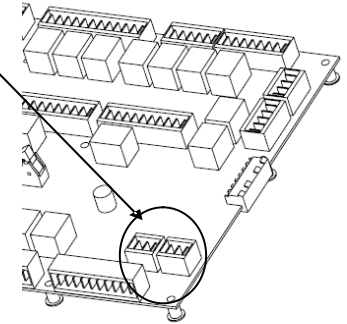
PWR



A3/A12



CONNECT TO A55
UNIT CONTROLLER



A55 - PRODIGY
M2 UNIT CONTROLLER

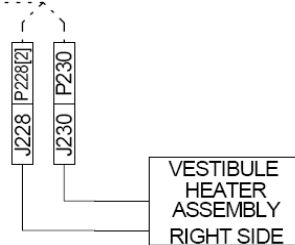
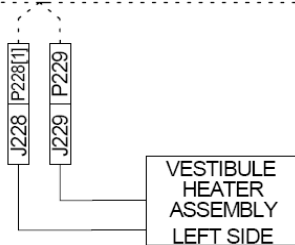
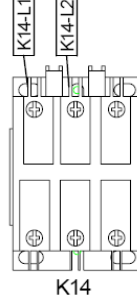
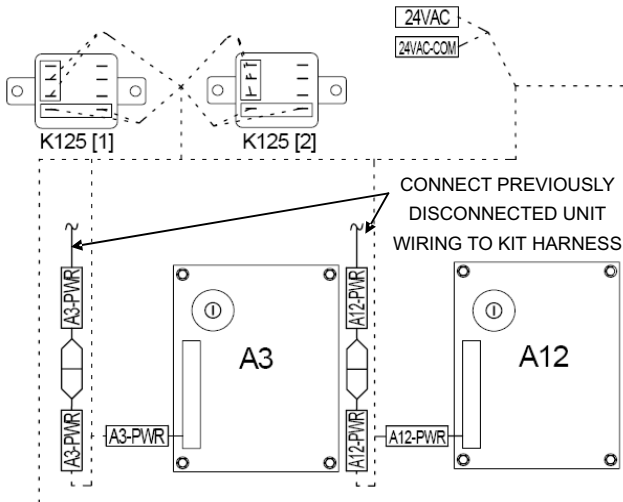


FIGURE 10

Installation - KG 156-300 Units

- 1- Disconnect all power to unit and open compressor access panels.
- 2- Install both cold weather assemblies as shown in figure 8. Use existing screws.
- 3- Install both K125 relays in control area above compressors. Secure with #8 screws. See figure 11.
- 4- Locate harness labeled 604785-01 and route as shown in figure 9. Secure with wire ties. Discard harness labeled 604784-01.
- 5- Make wire connections as shown in figure 12.
- 6- Use wire ties to securely route and tie harness away from gas heat manifold.

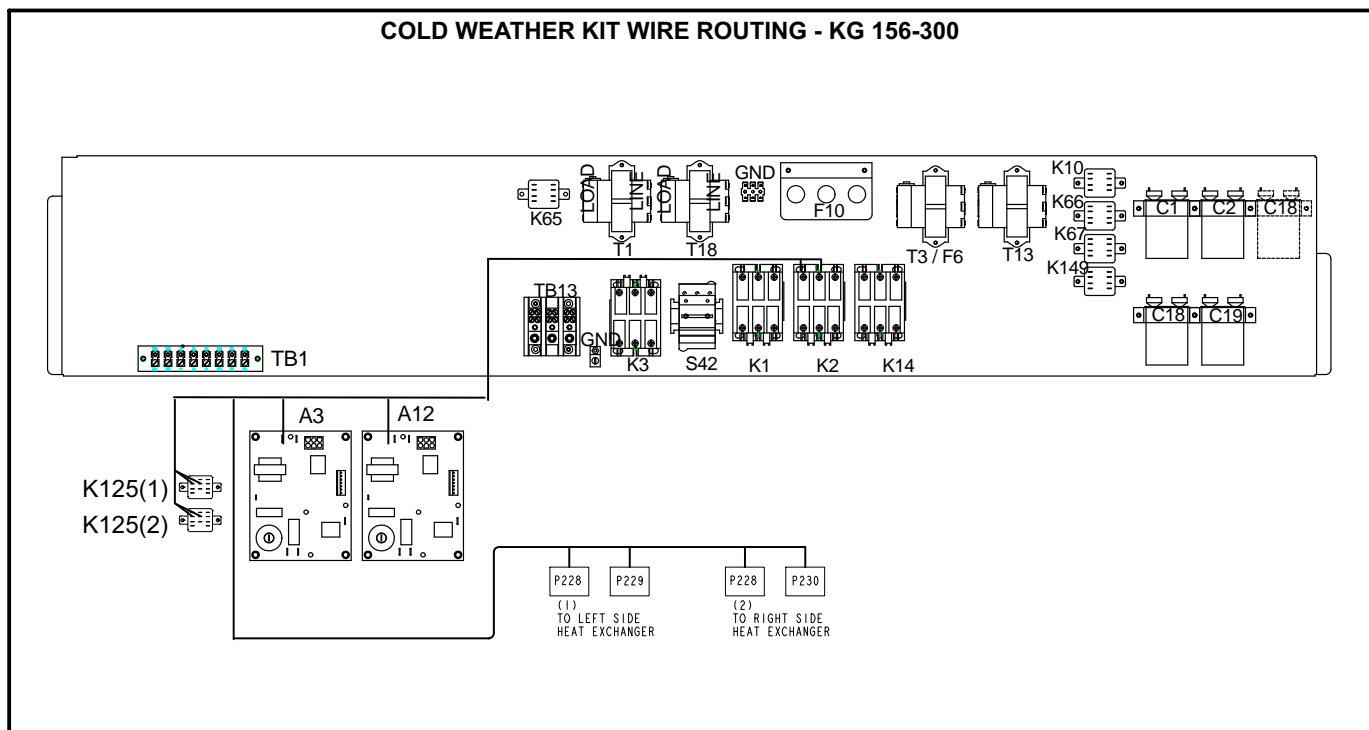


FIGURE 11

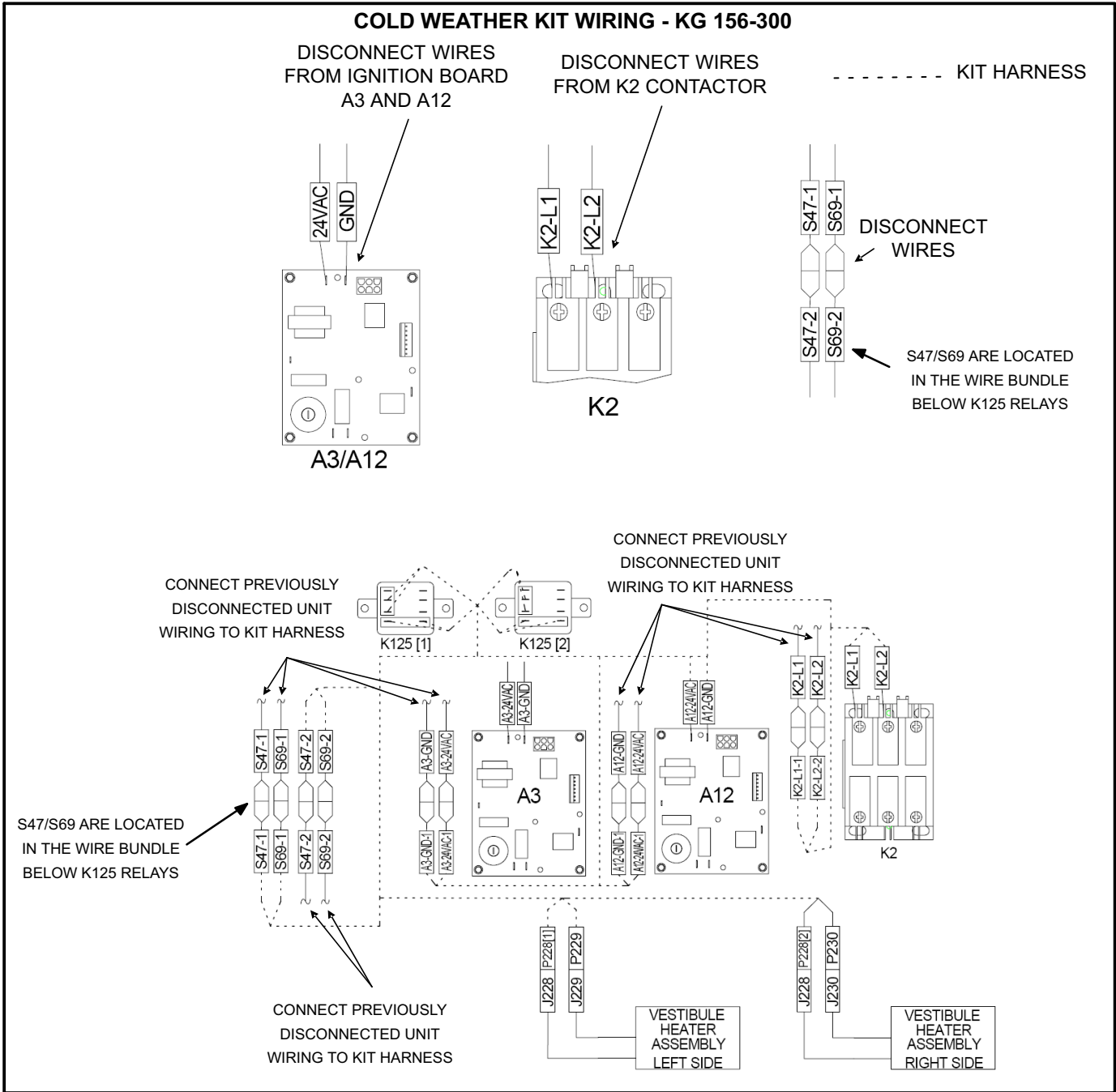


FIGURE 12

Operation

When ambient temperature drops below 20°F (-7°C), S61 closes. When ambient temperature drops below -10°F (-23°C), S60 closes to energize K125 and bring on HR6 heater.

When ambient temperature rises to 20°F (-7°C), S60 opens to de-energize HR6 heater.

When ambient temperature drops below -20°F (-29°C), S59 opens to disable GV1 gas valve. S59 closes to allow heating when temperature rises to 10°F (-12°C).