

**INSTALLATION INSTRUCTIONS FOR 2" (44W92) AND 3" (44W93)
CONCENTRIC TERMINATION KITS**

⚠ WARNING

Improper installation, adjustment, alteration, service or maintenance can cause property damage, personal injury or loss of life. Installation and service must be performed by a licensed professional installer, service agency or the gas supplier.

Shipping and Packing List

44W92 Package 1 of 1 contains:

- 1 - 2" rain cap
- 1 - 2" DR-26 pipe
- 1 - 3" DR-26 pipe
- 1 - 2" "Y" fitting
- 1 - 2" X 1-1/2" reducer
- 1 - 2" X 2-1/4" pipe
- 1 - 1-1/2" X 4-1/2" pipe

44W93 Package 1 of 1 contains:

- 1 - 3" rain cap
- 1 - 2-1/2" DR-26 pipe
- 1 - 4" DR-26 pipe
- 1 - 3" "Y" fitting

Application

Concentric termination kits (44W92 and 44W93) isolate intake and exhaust lines as they exit the structure.

Requirements

All pipe, fittings, primer and solvent cement must conform to ULC-S636 requirements. The solvent shall be free flowing and contain no lumps, undissolved particles or any foreign matter that adversely affects the joint strength or chemical resistance of the cement. The cement shall show no gelation, stratification, or separation that cannot be removed by stirring.

When making ABS joints, clean pieces with a dry cloth after all burs are removed. When joining ABS to PVC materials, use ABS to PVC transition solvent cement.

⚠ CAUTION

Solvent cements for plastic pipe are flammable liquids and should be kept away from all sources of ignition. Do not use excessive amounts of solvent cement when making joints. Good ventilation should be maintained to reduce fire hazard and to minimize breathing of solvent vapors. Avoid contact of cement with skin and eyes.

Joint Cementing Procedure

⚠ WARNING

DANGER OF EXPLOSION! Fumes from PVC glue may ignite during system check. Remove ignitor lead from ignition control before 115V power is applied. Reconnect wire after two minutes.

- 1 - Measure and cut vent pipe to desired length.
- 2 - Deburr and chamfer end of pipe, removing any ridges or rough edges. If end is not chamfered, edge of pipe may remove cement from fitting socket and result in a leaking joint.
- 3 - Clean and dry surfaces to be joined.
- 4 - Test fit joint and mark depth of fitting on outside of pipe.
- 5 - Uniformly apply liberal coat of PVC primer, if required.
- 6 - Promptly apply solvent cement to end of pipe and inside socket surface of fitting. Cement should be applied lightly but uniformly to inside of socket. Take care to keep excess cement out of socket. Apply second coat to end of pipe.
NOTE - Time is critical at this stage. Do not allow primer to dry before applying cement.
- 7 - Immediately after applying last coat of cement to pipe, and while both inside socket surface and end of pipe are wet with cement, forcefully insert end of pipe into socket until it bottoms out. Turn pipe 1/4 turn during assembly (but not after pipe is fully inserted) to distribute cement evenly.
NOTE - Assembly should be completed within 20 seconds after last application of cement. Hammer blows should not be used when inserting pipe.



- 8 - After assembly, wipe excess cement from pipe at end of fitting socket. A properly made joint will show a bead around its entire perimeter. Any gaps may indicate a defective assembly due to insufficient solvent.
- 9 - Handle joints carefully until completely set.

Assembly and Installation

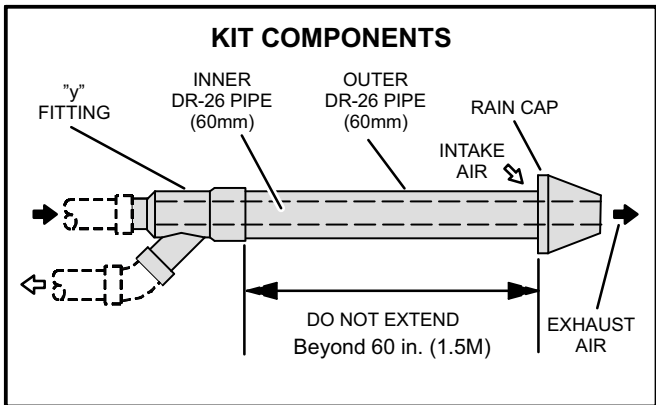


FIGURE 1

Concentric Termination -- Rooftop Application

- 1 - Determine the best area for the termination to exit the roof.
- 2 - When 2" pipe is used, cut one hole approximately 4 inches (102mm) in diameter in roof. When 3" pipe is used, cut one hole approximately 5 inches in diameter in roof.
- 3 - Use proper joint cementing procedure to cement "Y" fitting to inner and outer pipes provided in kit. See figure 1 for component identification.

⚠ WARNING

DO NOT operate the furnace unless the rain cap has been installed. Products of combustion may be recirculated. In addition, water may collect in the inlet air pipe and flow into the burner enclosure. Failure to follow this warning could result in product damage or improper operation, personal injury or death.

- 4 - When 2" concentric kit is used with -045 and -070 furnaces, it is necessary to use the provided accelerator on the end of the termination. See figure 2 for accelerator component identification.

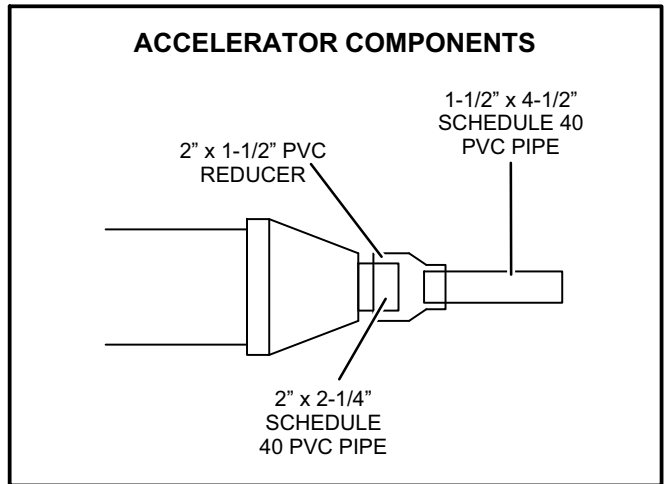


FIGURE 2

- 5 - Run outer pipe through roof opening. Use a sheet metal strap to secure termination to the roofing joist as shown in figure 3.

NOTE - Weight of termination must be supported by the clamp and sheet metal strap.

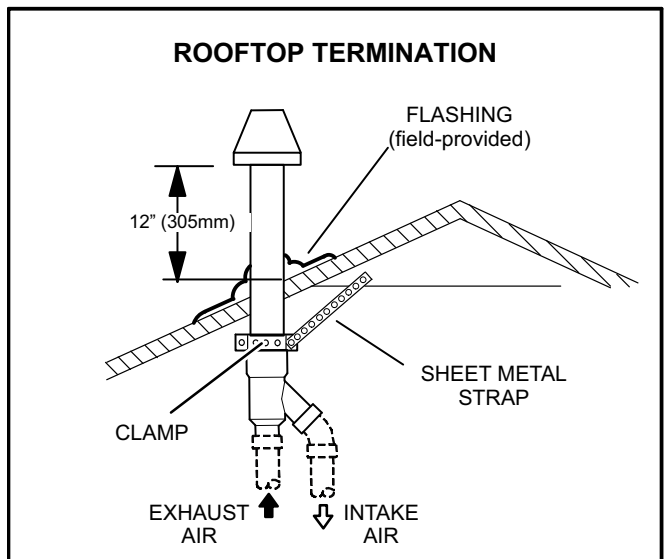


FIGURE 3

⚠ IMPORTANT

Concentric vent termination must extend a minimum of 12 inches (305mm) above the height of average snow accumulation.

- 6 - Slide field-provided flashing over pipe and secure flashing to roof as shown in figure 3. Seal around flashing to make sure it is weather-tight.
- 7 - Apply solvent cement to end of inner pipe and cement to rain cap. Make sure that inner pipe is properly seated in rain cap.

- 8 - Connect intake and exhaust lines to termination assembly.
NOTE - Exhaust line must be insulated when run through unconditioned spaces.
- 9 - Use isolation hangers to suspend furnace vent pipe and to support vent termination. See figure 4.
- 10 - Continue with installation and start-up procedures in unit installation instructions.

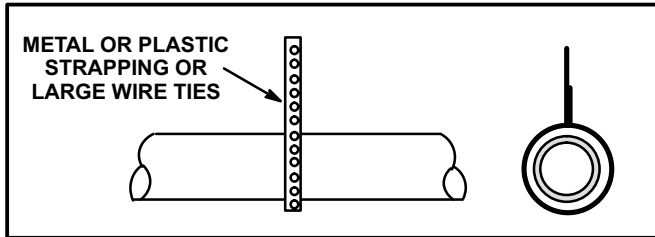


FIGURE 4

Concentric Termination -- Sidewall Application

- 1 - Determine the best area for the vent to exit the wall.
- 2 - When 2" pipe is used, cut one hole approximately 4 inches (102mm) in diameter in outer wall. When 3" pipe is used, cut one hole approximately 5 inches in diameter in outer wall.
- 3 - Use proper joint cementing procedure to join Y" fitting to inner and outer pipes provided in kit. See figure 1 for component identification.

⚠ WARNING

DO NOT operate the furnace unless the rain shield has been installed. Products of combustion may be recirculated. Failure to follow this warning could result in product damage or improper operation, personal injury or death.

- 4 - When 2" concentric kit is used with -045 and -070 furnaces, it is necessary to use the provided accelerator on the end of the termination. See figure 2 for accelerator component identification.

- 5 - Run outer pipe through wall opening. Use a sheet metal strap to secure termination to the wall opening as shown in figure 5.
NOTE - Weight of termination must be supported by the clamp and sheet metal strap.

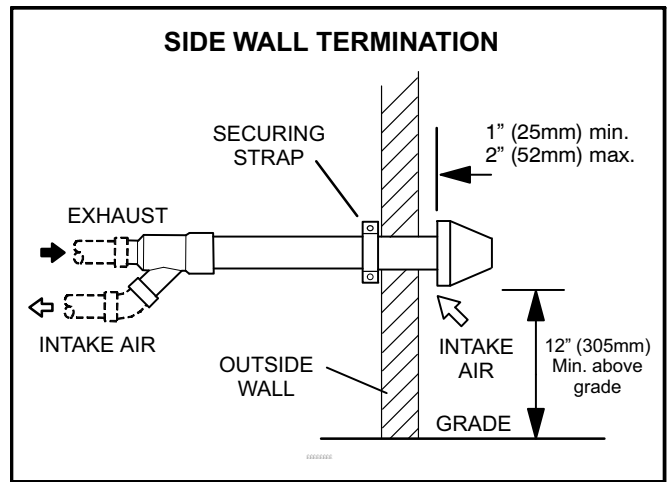


FIGURE 5

⚠ IMPORTANT

Concentric vent termination must extend a minimum of 12 inches (305mm) above grade or above the height of average snow accumulation.

- 6 - Apply solvent cement to end of inner pipe and cement to rain cap. Make sure that inner pipe is properly seated in rain cap.
- 7 - Connect intake and exhaust lines to termination assembly.
NOTE - Exhaust line must be insulated when run through unconditioned spaces.
- 8 - Use isolation hangers to suspend furnace vent pipe and to support vent termination. See figure 4.
- 9 - Continue with installation and start-up procedures in unit installation instructions.