

**LAMP BASE KIT (91W54) INSTALLATION FOR GERMICIDAL LIGHT MODELS UVC-24V,  
UVC-41W-S, & UVC-41W-D**

**General**

Use these instructions to replace the Germicidal Lamp Base (kit 91W54).

**Shipping & Packing List**

**Contents**

- 1 - Germicidal light lamp base assembly
  - 1 - UVC lamp base
  - 1 - O-ring
  - 1 - Foil label
- 1 - Installation instructions

**IMPORTANT!** Refer to Installation Instructions 506038-01 or 506830-01 for the complete installation instructions!

**Required Tools and Unique Supplies**

- Phillips screwdriver

**⚠ WARNING**

**Risk of property damage, injury, or death.**  
Installation, adjustments, alterations, service and maintenance must be performed by a licensed professional service technician (or equivalent).

**⚠ WARNING**



**Electric shock hazard.**  
Can cause injury or death.  
Disconnect all remote power supplies before opening any unit access panels.  
Unit may have multiple power supplies.  
Do not operate without access panels in place.

**⚠ DANGER**

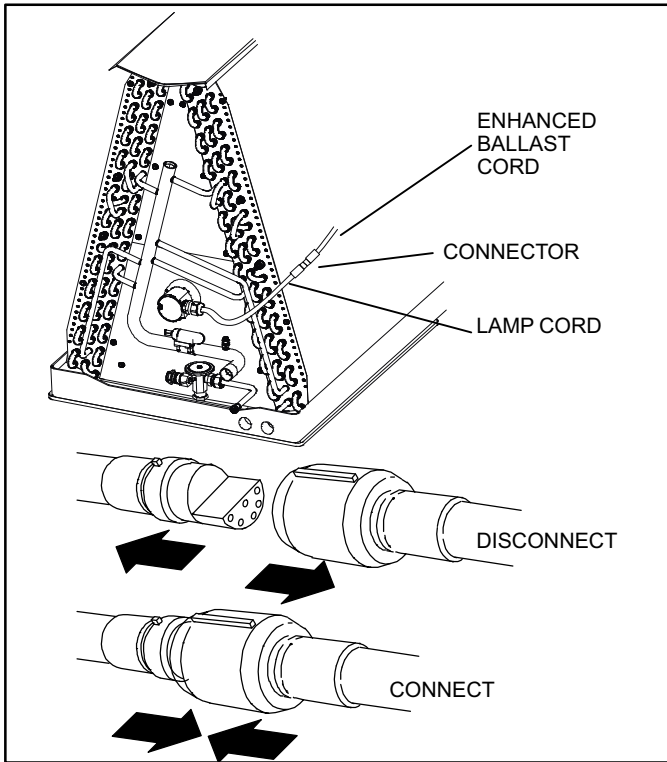
**Ultraviolet (UVC) Radiation Hazard.**  
Any exposure will cause significant eye damage and may cause skin damage.  
**DO NOT** look into UVC light source.  
Access panels must be in place during appliance operation.

**⚠ CAUTION**

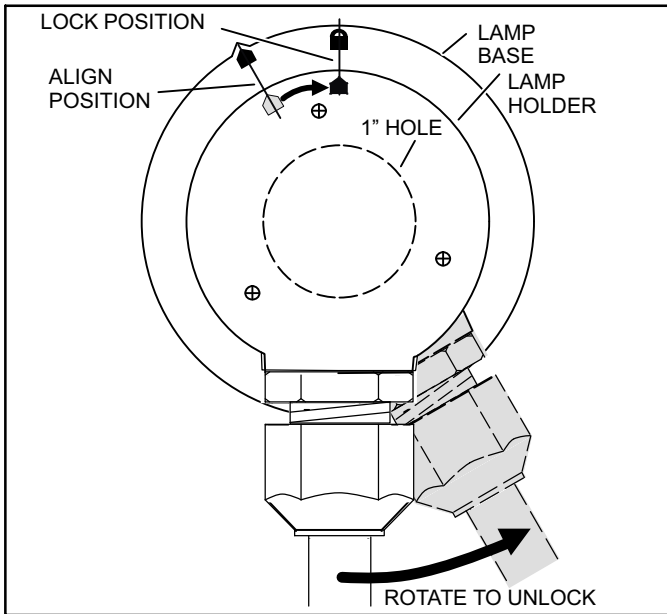
**Lamps Contain Mercury.**  
Ingestion or contact with mercury or mercury vapor is hazardous to your health.  
Take care when handling lamps. If lamp is broken, avoid contact with mercury.



## Installation



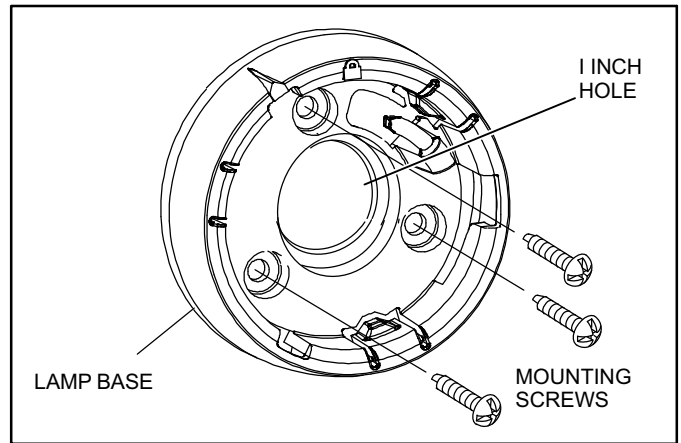
**Figure 1. Disconnect/Connect Lamp Cord**



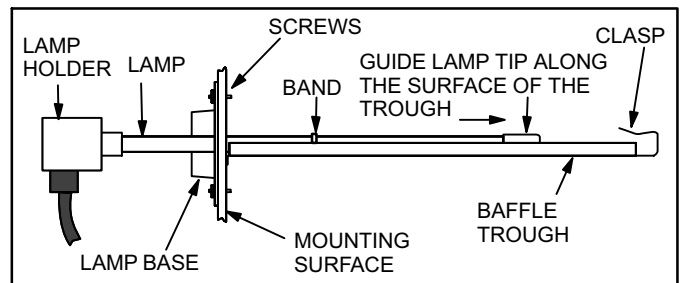
**Figure 2. Removing the lamp holder assembly**

1. Turn off power to the lamp before removing the cord.
2. Disconnect the lamp cord as shown in figure 1.
3. Unlock the lamp holder as shown in figure 2. Set the lamp holder and lamp aside.

4. Remove the lamp base as shown in figure 3.
5. Install new lamp base assembly as shown in figure 3.

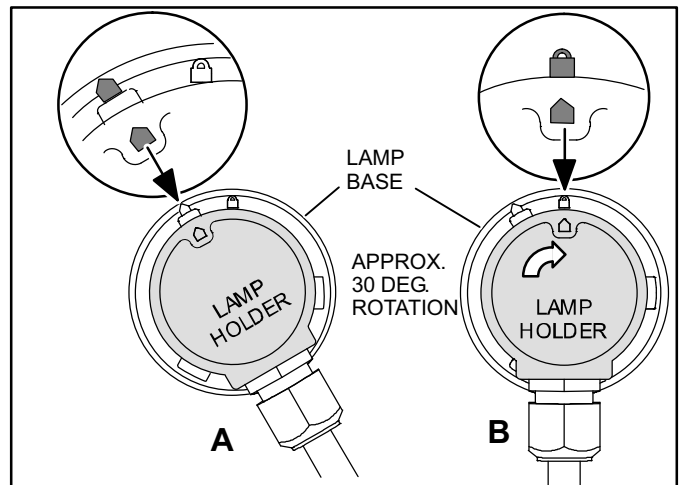


**Figure 3. Remove and Install Lamp Base**



**Figure 4. Guiding Lamp into Shielding Baffle**

6. Align arrow on lamp holder with arrow on lamp base. Insert lamp holder into base (see A in figure 5).
7. Twist to align lamp holder arrow with lock symbol (see B in figure 5).



**Figure 5. Locking Lamp in Place**

8. Connect the lamp holder cord's quick connect to the mating enhanced ballast connector (see figure 1).
9. Turn on power and check operation and that LEDs on ballast are lit.