

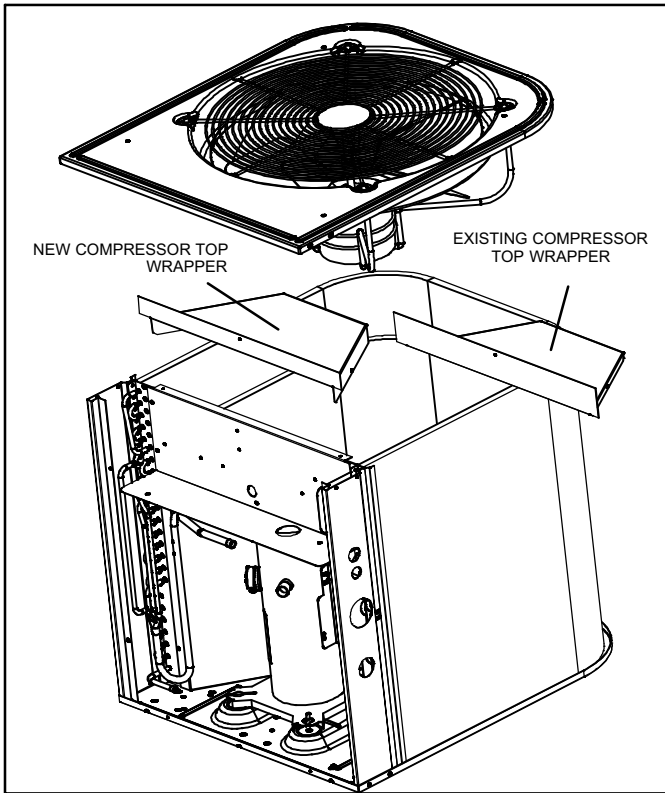


©2012 Lennox Industries Inc.
Dallas, Texas, USA

507098-01
11/2012

**COMPRESSOR TOP
WRAPPER REPLACEMENT
KIT**

**INSTALLATION INSTRUCTIONS FOR REPLACEMENT COMPRESSOR TOP WRAPPER KIT
USED WITH HP26-018 AND -024 HEAT PUMP MODELS (10A86)**



⚠ WARNING



Unit must be grounded in accordance with national and local codes. Electric Shock Hazard. Can cause injury or death.

Line voltage is present at all components when unit is not in operation on units with single-pole contactors. Disconnect all remote electric power supplies before opening access panel. Unit may have multiple power supplies.

Shipping & Packing List

Package 1 of 1 contains:

- 1 - Compressor top wrapper (no insulation required for this application)
- 1 - Kit installation instructions

General Information

New model replacement compressor for the HP26-018 and -024 models are taller than the original factory compressor. This kit raises the compressor top wrapper up to allow the taller compressor to fit into the compressor cabinet opening.

NOTE - Be sure to keep all fasteners removed in this procedure; all are required for reassembly.

Removing Existing Compressor Top Wrapper

1. Disconnect all power to the unit.
2. Remove the access panel by removing the two fasteners located along the bottom edge.

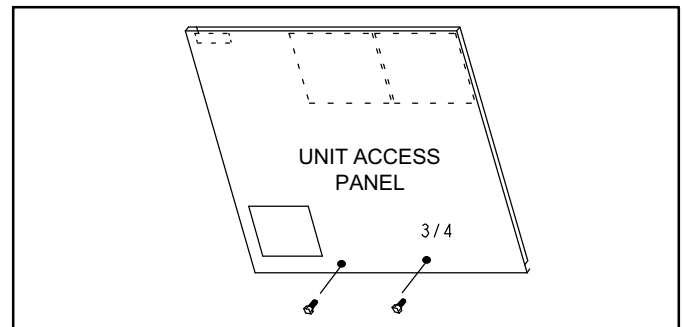


Figure 1

⚠ CAUTION

Physical contact with metal edges and corners while applying excessive force or rapid motion can result in personal injury. Be aware of, and use caution when working near these areas during installation or while servicing this equipment.

⚠ WARNING

Improper installation, adjustment, alteration, service or maintenance can cause personal injury, loss of life, or damage to property.

Installation and service must be performed by a licensed professional installer (or equivalent) or a service agency.



- Remove the one fastener illustrated below from the control box area.

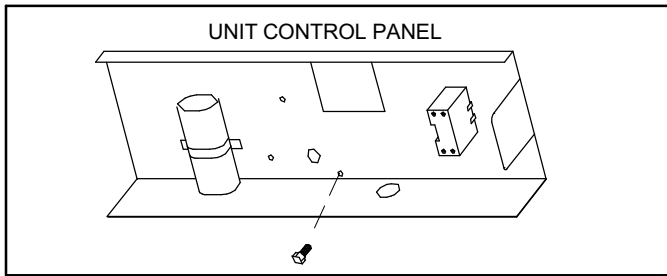


Figure 2

- Remove four black square top plastic fasteners that secure the fan grille to the unit. Remove fan grille and place to the side.

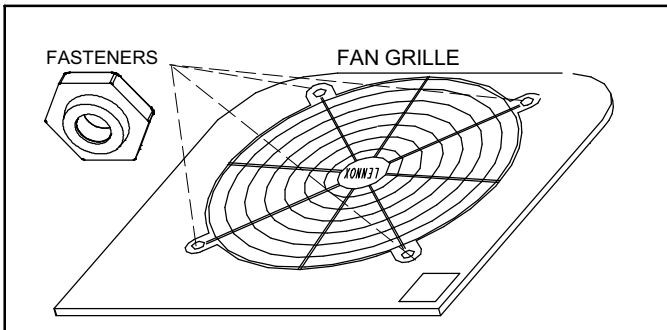


Figure 3

- Remove eight fasteners that secure the unit top to the body. Carefully lift the top panel and place securely to the side of the unit.

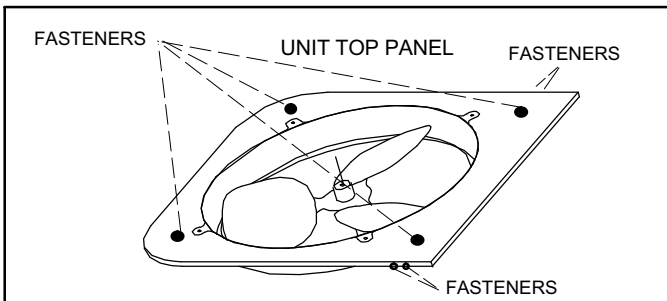


Figure 4

NOTE - There should be sufficient fan motor wiring length to allow the unit top panel / fan motor basket assembly to be moved to the side to allow access to the compressor top wrapper. Note that plastic tie wraps may be securing fan motor wiring.

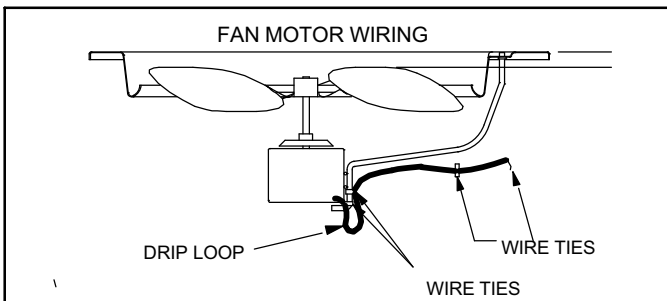


Figure 5

- Remove the two fasteners securing the existing compressor top wrapper to the main compressor wrapper.

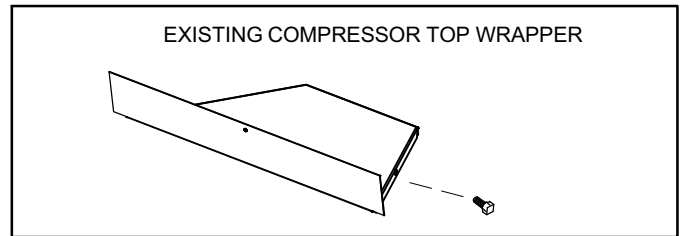


Figure 6

- Remove existing compressor top wrapper.

Installing New Compressor Top Wrapper

- Align and secure the new compressor top wrapper to the main compressor wrapper using the fasteners removed earlier.
- Reinstall the four fasteners removed earlier to secure the unit top to the body. Adjustments may be necessary to align the top panel's existing mounting position holes. Also ensure the coil grille is positioned properly inside the lip of the top panel.

NOTE - Secure the fan motor wiring using field-provided tie wraps. This procedure ensures that fan operation will not damage wiring. Create a drip loop (see figure 5).

- Reinstall the fan grille with the black plastic fasteners removed earlier.
- Reinstall the one fastener removed earlier to the control panel area.
- Use field-provided tape to block openings around control panel created by the installation of the new compressor top wrapper.

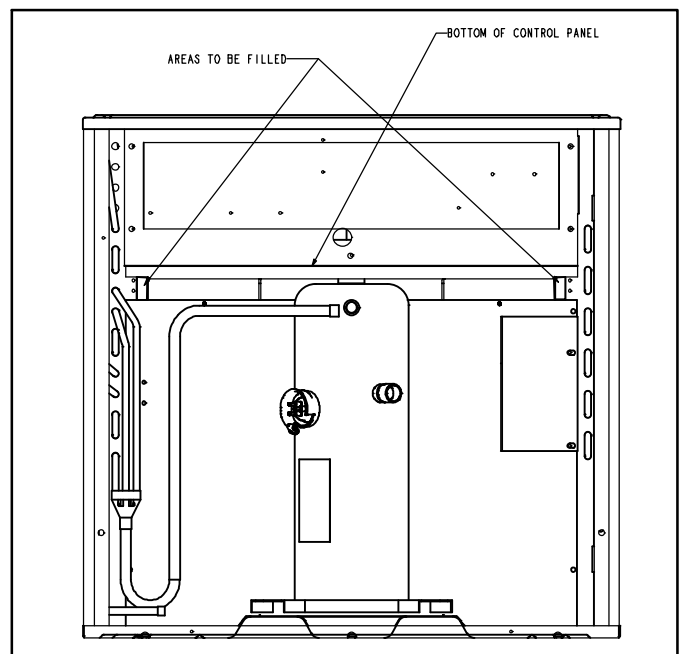


Figure 7

- Reinstall the access panel using existing fasteners removed earlier.
- Reconnect all power to the unit.