

**INSTALLATION INSTRUCTIONS FOR UNIT FUSE KIT
 (10A26-29; 610540-01-04) USED WITH ZC/ZH 036, 048, 060, 072 UNITS**

Shipping and Packing List

Package 1 or 1 Contains:

- 1- Unit fuse assembly
- 1- Bag assembly containing:
 - Fuses
 - 1-29-inch length of flexible conduit
 - 2-Conduit fittings
 - 28-Sheet metal screws

Electric heat assembly and heater fuse panel are ordered and shipped separately. The unit fuse assembly must be installed BEFORE the heater fuse panel. Refer to instruction provided with heater/fuse panel kit.

Inspect package upon receiving. If damage is found, contact last carrier immediately.

Requirements

Installation of electric heaters must conform with the standards of the National Fire Protection Association (NFPA) "Standard for the Installation of Air Conditioning and Ventilating Systems," NFPA No. 90A; "Standard for the Installation of Residence Type Warm Air heating and Air Conditioning Systems," NFPA No. 90B; in Canada, CSA C22.1 Canadian Electrical Code Part I and all applicable CSA requirements; manufacturer's installation instructions and local municipal building codes. Heaters are approved for clearance to combustible materials as listed on heater rating plate. Accessibility and service clearances must take precedence over fire protection clearance. All wiring must conform with local codes and the current National Electric Code (NEC) ANSI-C1 and in Canada, CSA C22.1 Canadian Electrical Code Part I and applicable CSA requirements.


WARNING

Improper installation, adjustment, alteration, service or maintenance can cause property damage, personal injury or loss of life. Installation and service must be performed by a qualified installer, service agency or the gas supplier


CAUTION

Danger of sharp metallic edges. Can cause injury. Take care when servicing unit to avoid accidental contact with sharp edges.

Application

The unit fuse block kit is used on ZC/ZH units when electric heat is installed. Electric heat will not operate without this kit. See table 1 for usage.

TABLE 1

Kit	Fuses Included (Amps)	Voltage
10A26	45, 50, 60	208/230v, 1ph, 60hz
10A27	25, 30	208/230v, 3ph, 60hz
10A28	35, 40, 50	208/230v, 3ph, 60hz
10A29	15, 20	460v, 3ph, 60hz 575v, 3ph, 60hz

Installation

- 1- Disconnect all power to unit.
- 2- Remove panels as shown in figure 1 and 2.

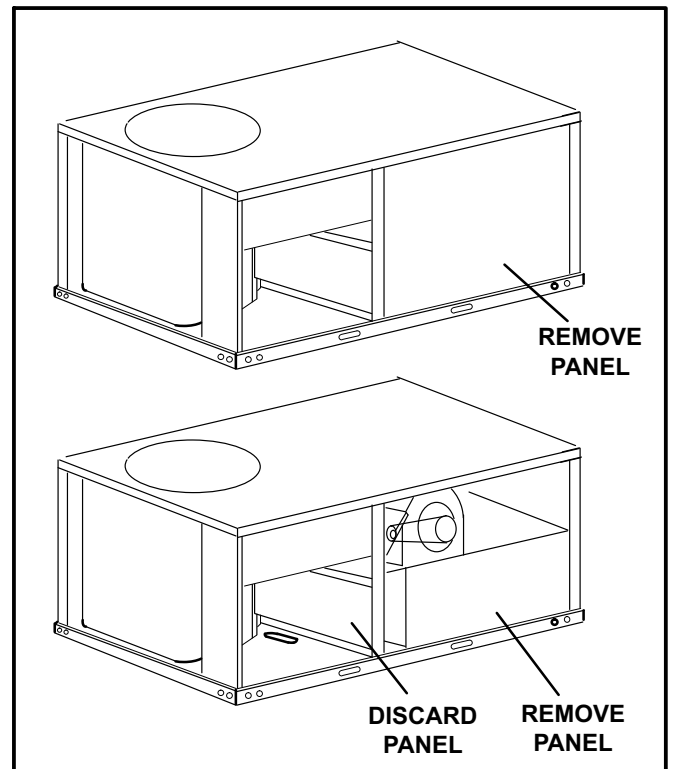


FIGURE 1

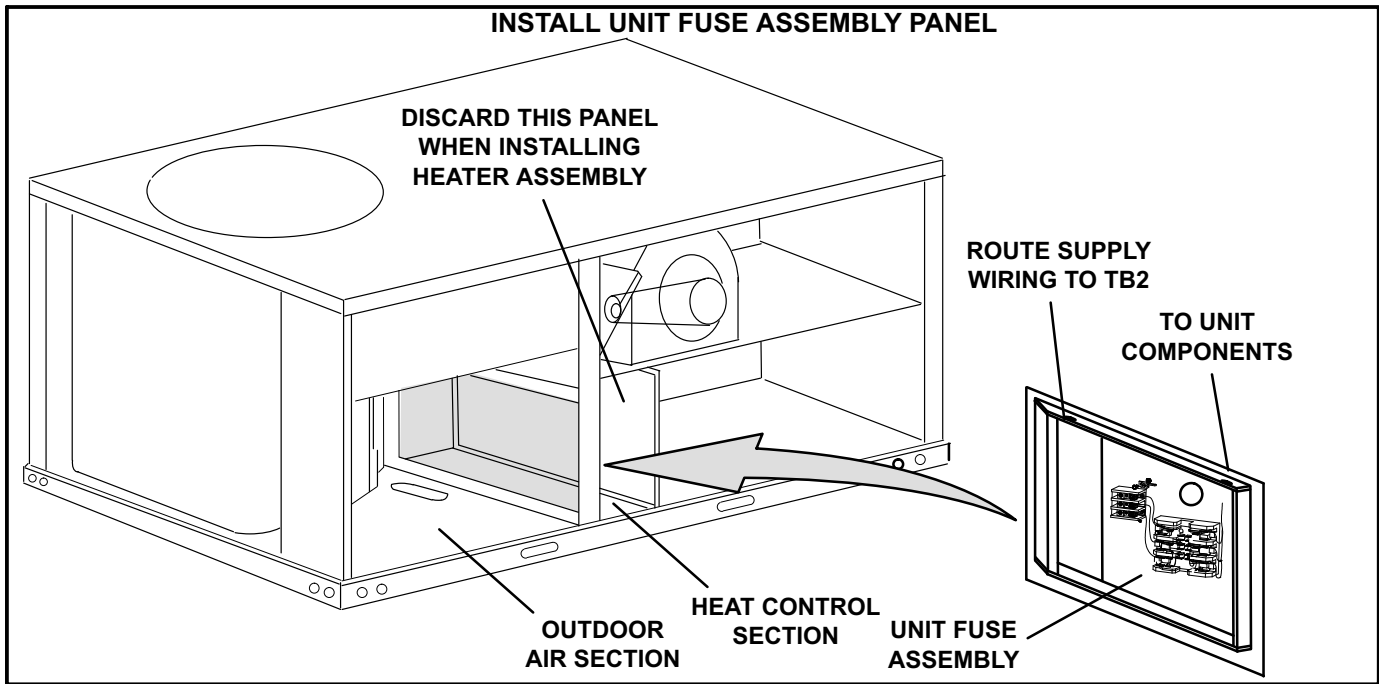


FIGURE 2

- 3- Remove cover from assembly and install fuses. See table 2 and the unit nameplate for appropriate fuse size.
- 4- Install unit fuse assembly into heat control section. See figure 2. Secure assembly with sheet metal screws from the heat control section.
- 5- Install conduit fittings on each end of conduit.
- 6- Uncoil wire harness connected to F4 and route through top of assembly and conduit. See figure 2.
- 7- Secure conduit to opening in assembly and control box. Fittings must be tight.
- 8- Route supply power wires through back opening in the top of the assembly. Liquid tight connections must be used on the supply power wiring.
- 9- Make wire connections as shown in figures 3. Also refer to wiring diagram on unit and instruction provided with electric heat assembly.
- 10- Replace cover on unit fuse assembly.

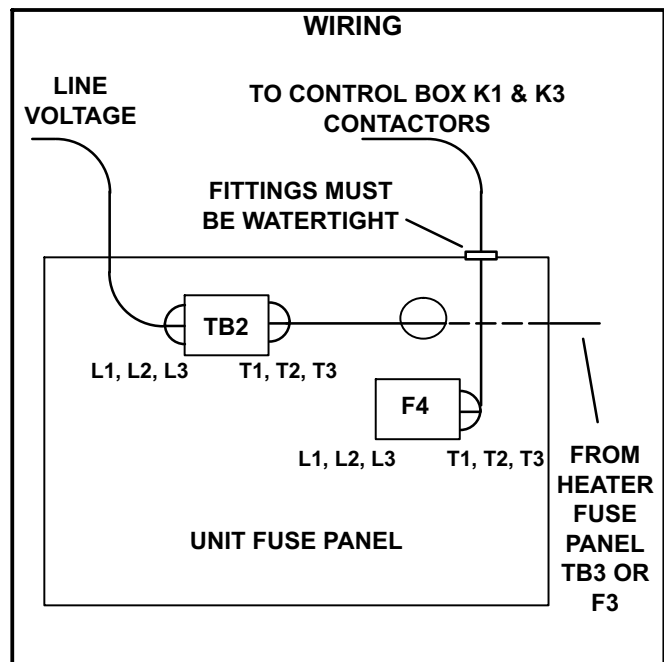


FIGURE 3

**TABLE 2
FUSE SELECTION**

Unit	Unit Voltage			
	208/230v, 1ph	208/230v, 3ph	460v, 3ph	575v, 3ph
	Fuse Sizes in Amps			
036	45	25	15	15
048	50	30	15	15
060	60	35	20	15
060*	60	40	20	15
072	NA	50	20	15

*Units equipped with a 1.5hp indoor blower and power exhaust fans.