

**BLOWER MOTOR
REPLACEMENT KITS**

507150-01
04/2013

**INSTALLATION INSTRUCTION FOR BLOWER MOTOR REPLACEMENT KITS (10B66-10B67) USED
ON UNITS EQUIPPED WITH GENTEQ (REGAL BELOIT) 2.3 & EON BLOWER MOTORS**

RETAIN THESE INSTRUCTIONS FOR FUTURE
REFERENCE

⚠ WARNING

Improper installation, adjustment, alteration, service or maintenance can cause personal injury, loss of life, or damage to property.

Installation and service must be performed by a licensed professional HVAC installer (or equivalent) or a service agency.

⚠ CAUTION

Physical contact with metal edges and corners while applying excessive force or rapid motion can result in personal injury. Be aware of, and use caution when working near, these areas during installation or while servicing this equipment.

⚠ WARNING

Electric Shock Hazard.

Can cause injury or death.

Foil-faced insulation has conductive characteristics similar to metal. Be sure there are no electrical connections within 1/2" of any foil-faced insulation. If the foil-faced insulation comes in contact with electrical voltage, the foil could provide a path for current to pass through to the outer metal cabinet. While the current produced may not be enough to trip existing electrical safety devices (e.g. fuses or circuit breakers), the current can be enough to cause an electric shock hazard that could cause personal injury or death.

Shipping and Packing List

10B66 - package 1 of 1 contains:

1 - 1/2 HP Replacement blower motor

10B67 package 1 of 1 contains:

1 - 3/4, 1 HP Replacement blower motor

04/13



Application

These blower motor replacement kits are used on units equipped with a 2.3 or Eon Genteq (Regal Beloit) blower motor.

Genteq (Regal Beloit) 2.3 motors are no longer available from the manufacturer and are being replaced by equivalent Eon Genteq (Regal Beloit) motors. See table 1 for equivalent 2.3 to Eon motor replacement kit.

NOTE - An Eon motor will NOT work with a 2.3 control module. If replacing a 2.3 motor with an Eon motor an Eon control module must be used.

Table 1

Motor Size	2.3 Motor Replacement Kit	Eon Motor Replacement Kit
1/2 HP	72W99	10B66
3/4 HP	73W00	10B67
1 HP	73W00	10B67

Blower Motor Installation

- 1 - Disconnect electrical power to unit. Wait five minutes before continuing service procedures to avoid electrical shock. This will allow internal capacitors time to fully discharge.
- 2 - Remove blower access panel.
- 3 - Remove screws which secure blower assembly in unit and carefully slide blower assembly forward.
- 4 - Unplug the 5-pin power cable and 16-pin control cable from the control module. See Figure 1 for location.

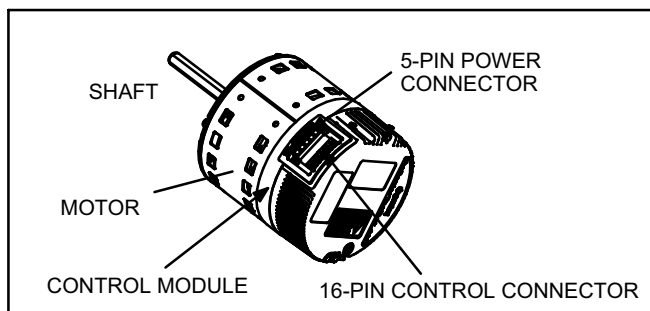


Figure 1. Module Connectors

507150-01



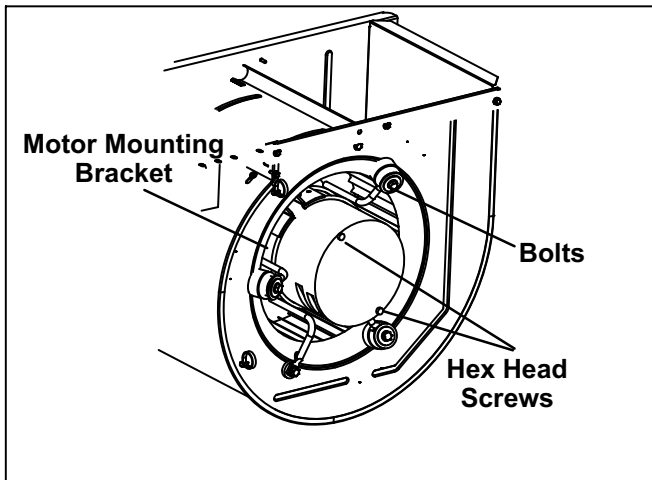


Figure 2. Fasteners

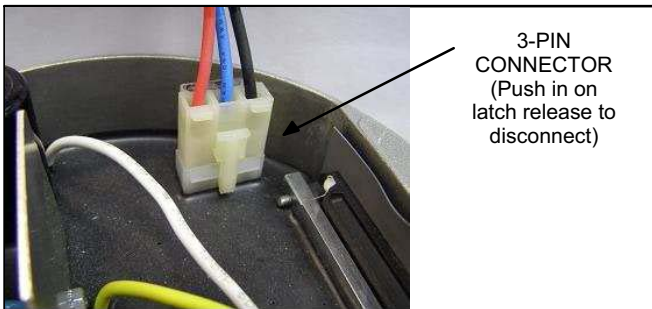


Figure 3. 3-Pin Connector

- 5 - Loosen motor shaft set screw. Remove the bolts that secure the blower motor mounting bracket to the blower housing. See figure 2. Gently ease blower motor out of housing.
- 6 - Remove bolt from motor mounting bracket and ease four-legged bracket from existing motor.
- 7 - Remove two hex head screws and carefully rotate the control module to gain access to the 3-pin plug. See figure 3. Squeeze the plug release latch and gently pull the plug out of the control module. **Do not pull on the wires.**
- 8 - Carefully insert the replacement motor 3-pin plug into the receptacle on the control module until it latches. The 3-pin plug will click when it latches properly. Verify that the wires will not back out of the plug.
- 9 - Secure the module to the replacement motor housing with existing hex head screws removed in step 7.. Tighten to 15-19 inch pounds.
- 10 - Make sure that the motor assembly is properly oriented and that there is a suitable drain loop in all cables. See figure 4 for proper orientation and slide motor mounting bracket onto replacement blower motor. Check dimensions given in figure 4 before securing bracket to motor using existing bolt.

- 11 -Use existing motor mounting bolts and install motor module assembly back into the blower housing.
- 12 -Slide the blower assembly back into the cabinet. Plug the 16-wire harness into the module. Make sure the plug is properly positioned and that it latches securely.
- 13 -Connect the 5-pin power plug into the control module. Make sure it is properly oriented. It should plug in easily and snap latched. **Reversal of this plug will cause immediate failure of the control module.**
- 14 -Restore electrical power to the unit and verify that the new motor is operating properly in all modes.

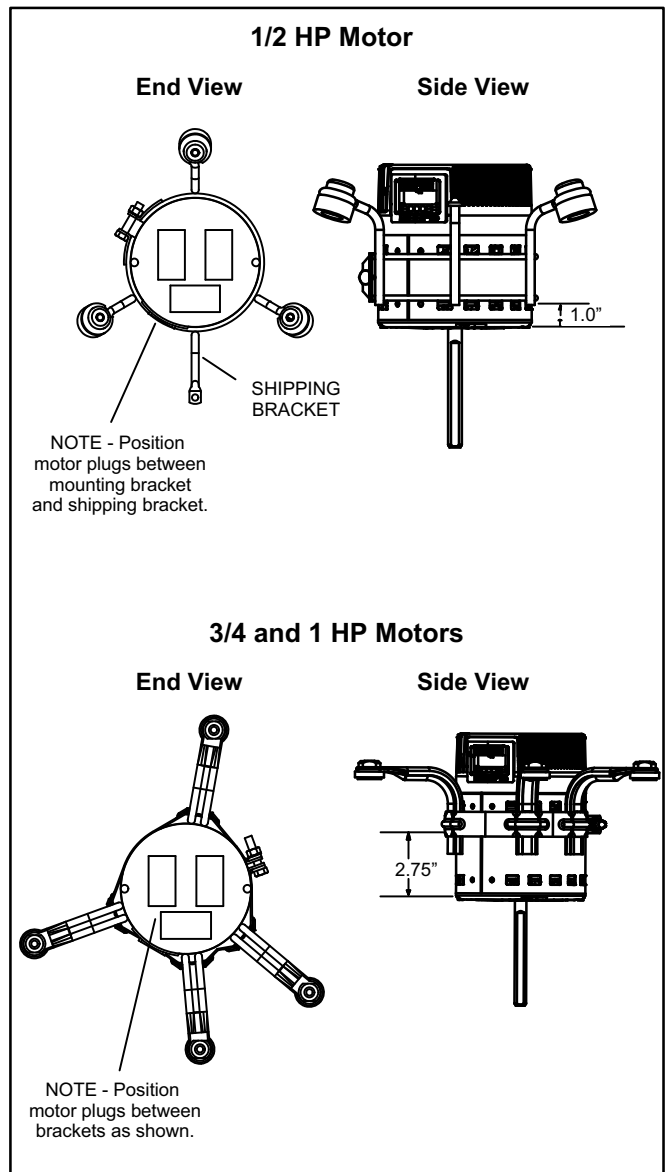


Figure 4. Motor Mounting Bracket Installation