

507211-01
3/2016
Supersedes 10/2013

GRAVITY EXHAUST DAMPERS

INSTALLATION INSTRUCTIONS FOR C1DAMP50C GRAVITY EXHAUST DAMPERS (54W78; 604593-01) USED WITH LGH/LCH/KC/KG/KH 156-300S ROOFTOP UNITS

Shipping and Packing List

Package 1 of 1 contains:

- 1- Assembled gravity exhaust damper
- 1- Hood assembly containing:
 - 2-Hood sides
 - 1-Hood top*
 - 1-Hood top rail*
- Bag assembly containing:
 - 9-#10 Hex screws
 - 6-#10 Self drilling screws
- Bag assembly containing:
 - 9-#10 Hex screws
 - 6-#10 Self drilling screws
 - Insulated foam tape

*When dampers are factory-installed, the top rail is secured to the hood top and the hood top is shipped in place on the unit.

Application

Gravity exhaust dampers (GED) allow exhaust air to be discharged from the system when an economizer and/or power exhaust is operating. Gravity exhaust dampers also prevent outdoor air infiltration during unit off cycle.

Dampers are used in downflow air discharge applications.

Gravity exhaust dampers must be used any time a power exhaust damper is installed. A gravity exhaust damper is required in the system when an economizer is installed unless other provisions are made to exhaust indoor air.

⚠ WARNING

Improper installation, adjustment, alteration, service or maintenance can cause property damage, personal injury or loss of life. Installation and service must be performed by a licensed professional HVAC installer or equivalent, service agency, or the gas supplier

⚠ CAUTION

Danger of sharp metallic edges. Can cause injury. Take care and wear protective clothing when servicing unit to avoid accidental contact with sharp edges.

Installation - Downflow Applications

NOTE - When dampers are factory-installed, remove the shipping strap securing the dampers closed.

- 1- Disconnect power to unit at unit disconnect. Remove lower rear unit panel.
- 2- Remove screw in damper or sheet metal straps across face of dampers which hold dampers in place for shipping.
- 3- Align holes along the flanged edge of the exhaust damper with holes along the bottom of the unit. See figure 1.

NOTE - When gravity exhaust is being used with power exhaust fans, gravity exhaust damper is installed over the outer side of the power exhaust fan assembly. See figure 2.

- 4- Use screws provided to secure gravity exhaust assembly to unit.
- 5- Reapply power to unit.

DOWNFLOW AIR DISCHARGE INSTALLATION

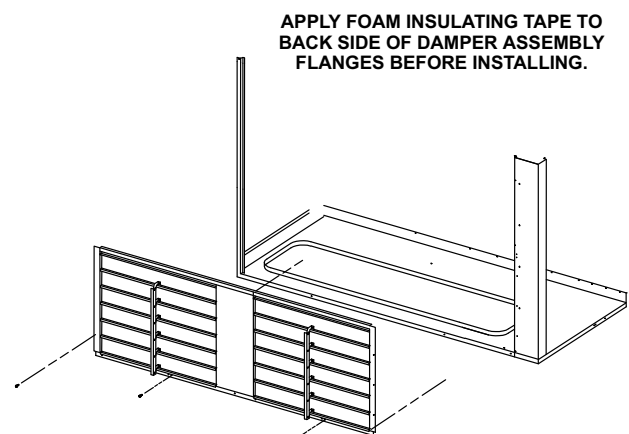
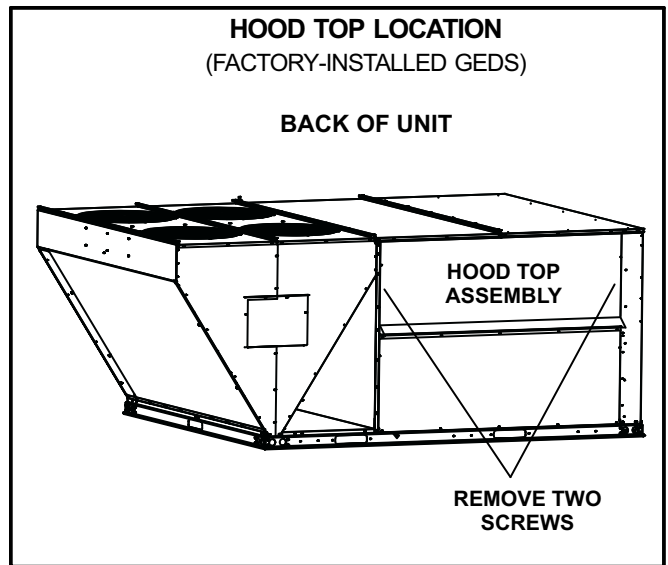
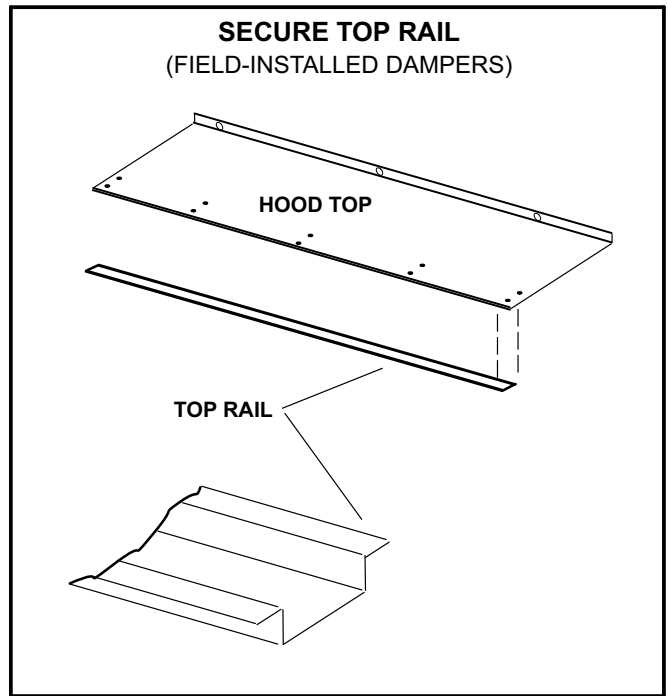
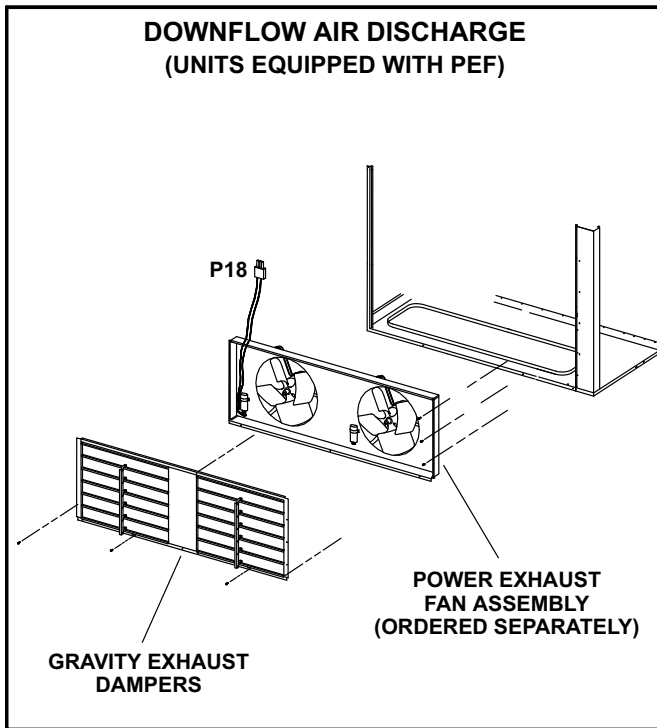


FIGURE 1



Installation - Exhaust Hood Assembly

- 1- On field-installed dampers, secure hood top rail to the hood top with screws provided. See figure 3.
On factory-installed dampers, remove the two screws securing the hood top to the unit. See figure 4.
- 2- Secure hood sides to hood top as shown in figure 5.
- 3- Apply foam insulating tape around the back of the flanged edges of hood assembly.
- 4- Align top edges of hood and damper assembly and secure using screws provided. See figure 5.

HOOD INSTALLATION

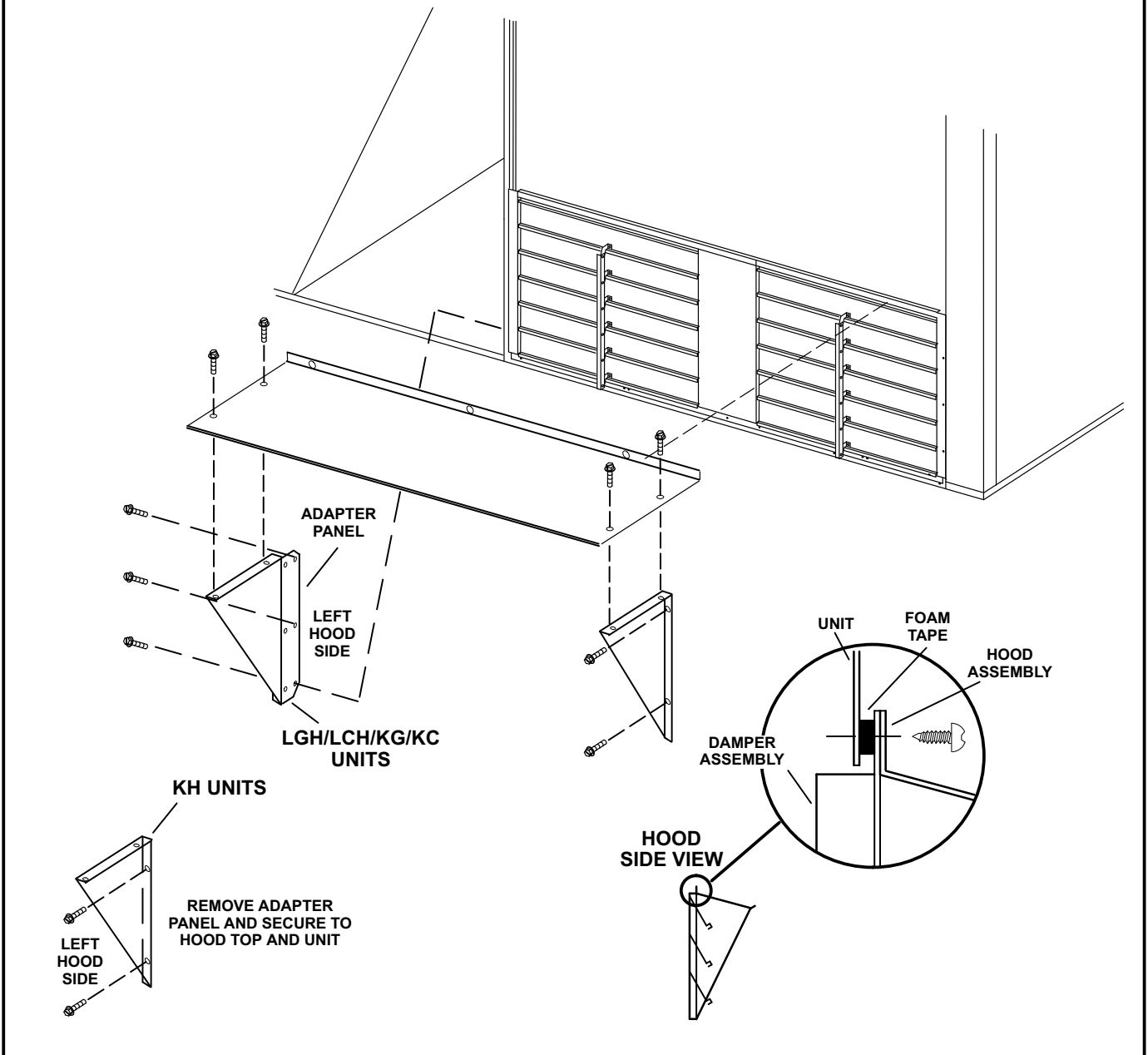


FIGURE 5