

**INSTALLATION INSTRUCTIONS FOR ECONOMIZERS AND OUTDOOR AIR HOODS
USED WITH LG/LC 036, 048, 060, 072, 074 UNITS**

Note - Disregard economizer installation section when dampers are factory-installed.

Shipping and Packing List

Package 1 of 1 contains:

- 1- Economizer damper assembly^A
- 1- GED^B (gravity exhaust / barometric relief damper) assembly
- 1- Exhaust hood kit containing:
 - 1-Exhaust hood top^A
 - 2-Hood sides^C
 - 1-GED seal^C
- 1- Outdoor air hood kit containing:
 - 1-Outdoor air hood top^A
 - 2-Hood sides^D
- 1- Birdscreen^D
- 2- Bird screen brackets^D
- 1- Bag assembly containing:
 - #10-32 X 1/2 Self-drilling screws
 - #10-16 X 5/8 Self-drilling screws

^AAlready in place when economizer is factory-installed.

^BOptional GED already in place when economizer is factory-installed; shipped separately when PEF is factory-installed.

^CShipped under the exhaust air cover when economizer is factory-installed.

^DShipped in the blower section when economizer is factory-installed.

Package 1 of 1 (ordered separately) contains:

Used in horizontal airflow applications only

- 1- Return air cover

Order Of Installation:

- Return air cover (horizontal airflow)
- Economizer
- Mixed air sensor (R1)
- Remove GED (horizontal airflow and PEF options)
- Optional OA/RA sensors
- Power exhaust fans
- GED seal in unit (PEF option)
- GED in lower hood (horizontal and PEF options)
- RA Transition (horizontal airflow)
- RA duct (horizontal airflow)
- Lower outdoor air hood
- Upper outdoor air hood

⚠ WARNING

Improper installation, adjustment, alteration, service or maintenance can cause property damage, personal injury or loss of life. Installation and service must be performed by a qualified installer, service agency or the gas supplier

⚠ CAUTION

Danger of sharp metallic edges. Can cause injury. Take care when servicing unit to avoid accidental contact with sharp edges.

Application

The E1ECON economizer is used with LG/LC units in downflow and horizontal air discharge applications. See table 1. See table 2 for the optional gravity exhaust kit. The economizer uses outdoor air for free cooling when temperature and/or humidity is suitable. LG/LC units are equipped with the following factory-installed, CEC Title 24 approved sensors:

- RT17 - Outside Air Temperature
- RT16 - Return Air Temperature
- RT6 - Discharge Air Temperature

See figure 13 in the *Start-Up* section for sensor location.

Optional field-provided sensors may be used instead of unit sensors to determine whether outdoor air is suitable for free cooling. Refer to table 3 in the *Start-Up* section.

**TABLE 1
Economizer**

Econ Type	Part No.*	
Standard	90W59	609258-01
High Performance	10U54	609258-05

*Kits include GED and hoods.

**TABLE 2
Gravity Exhaust Kit**

Description	Part No.	
*Used when power exhaust is either field- installed or not installed.	74W38	606568-01
Used when power exhaust is factory-installed.	72W89	605993-01

*Kits include hoods.

Install Economizer - Downflow

- 1- Open unit end panel and filter access panel. See figure 1. When gravity or power exhaust are field-installed, remove and discard the lower panel.
- 2- Remove and retain sensors from mounting bracket. See figure 2. Remove mounting bracket and discard.
- 3- Install damper assembly through end of unit. Fit opening in bottom of damper assembly over the return air opening. See figure 3.
- 4- Install retained sensors in the side of the economizer. See figure 3.
- 5- Disconnect jumper plug P3 from unit jack J3. Connect economizer plug P4 to unit jack J3 as shown in figure 4.

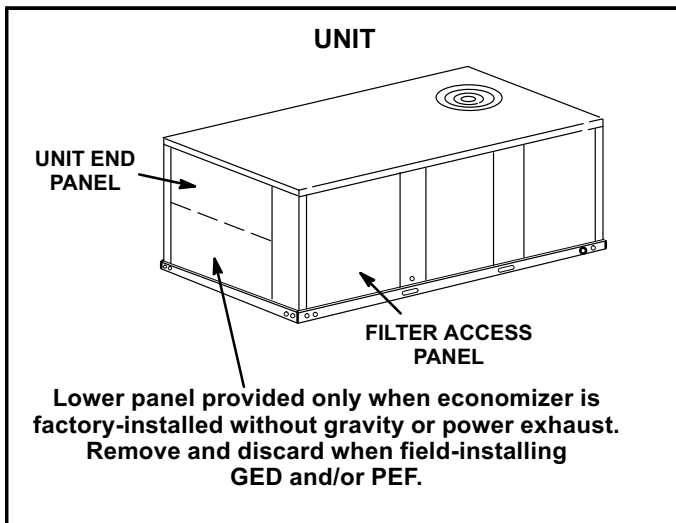


FIGURE 1

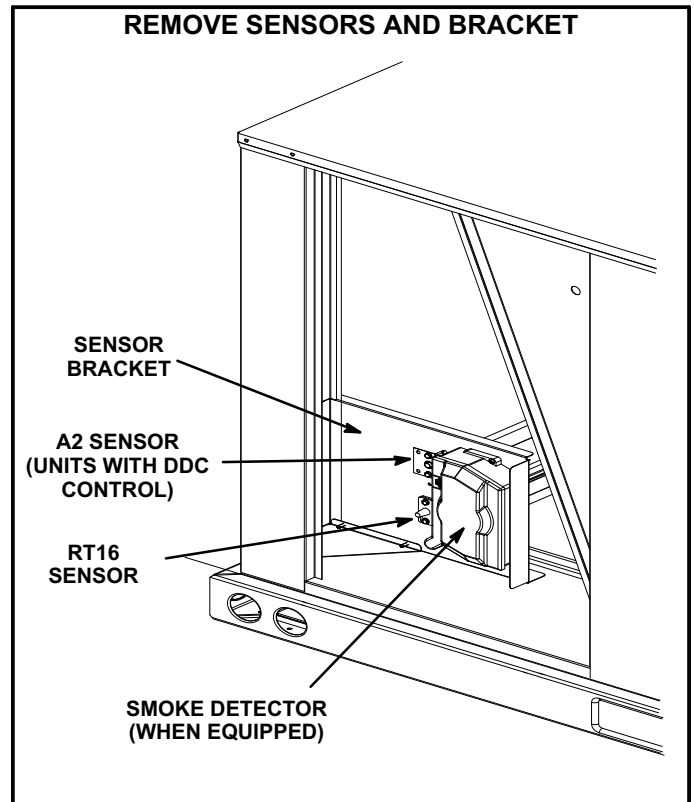


FIGURE 2

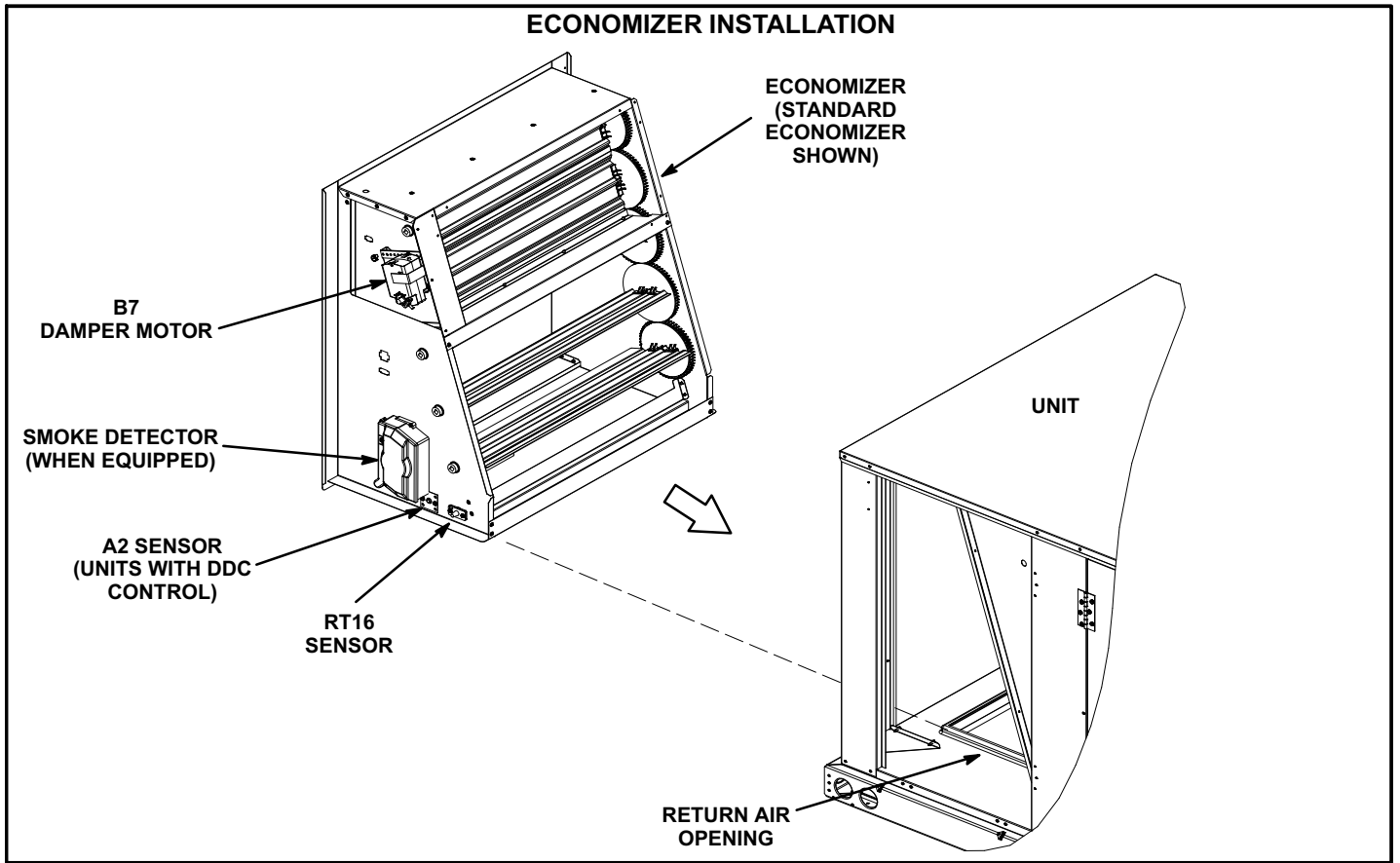


FIGURE 3

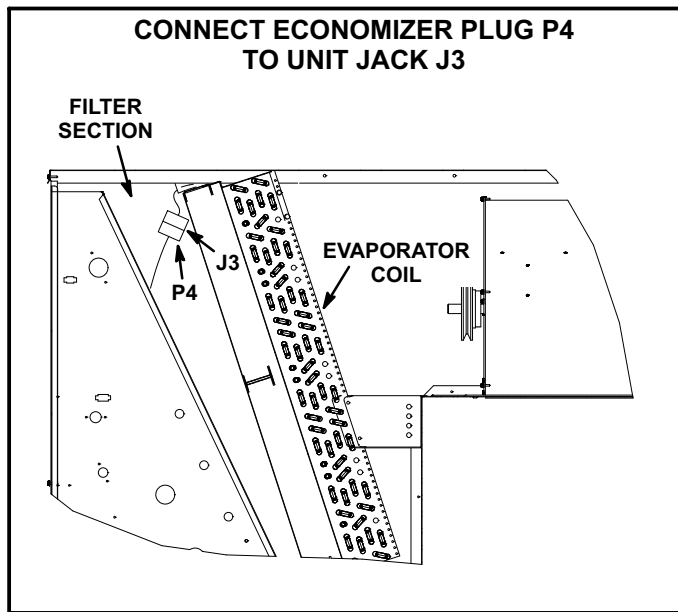


FIGURE 4

GED (Barometric Relief Dampers)

Note - GED is optional when economizer is factory-installed.

Remove GED from the economizer (when present) and install in the exhaust air hood when:

- Optional power exhaust fans are installed
- Economizer is installed in horizontal air flow

- 1- Remove the GED from the economizer. See figure 5.
- 2- Install the GED in the exhaust or lower hood as shown in figure 6.

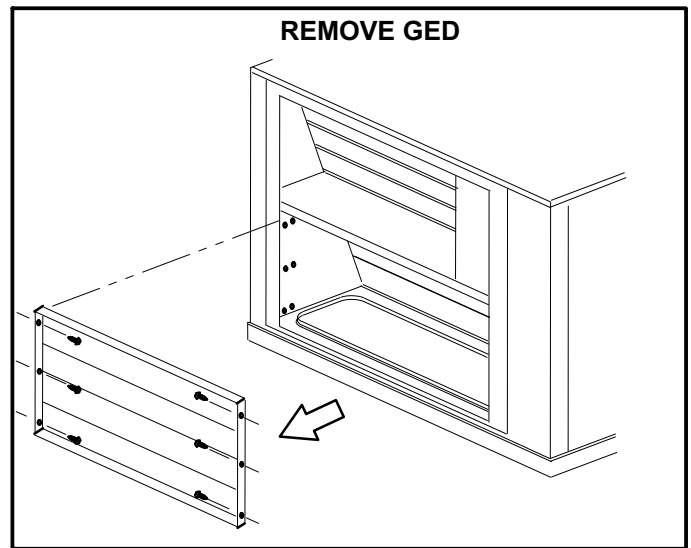


FIGURE 5

ASSEMBLE HOODS

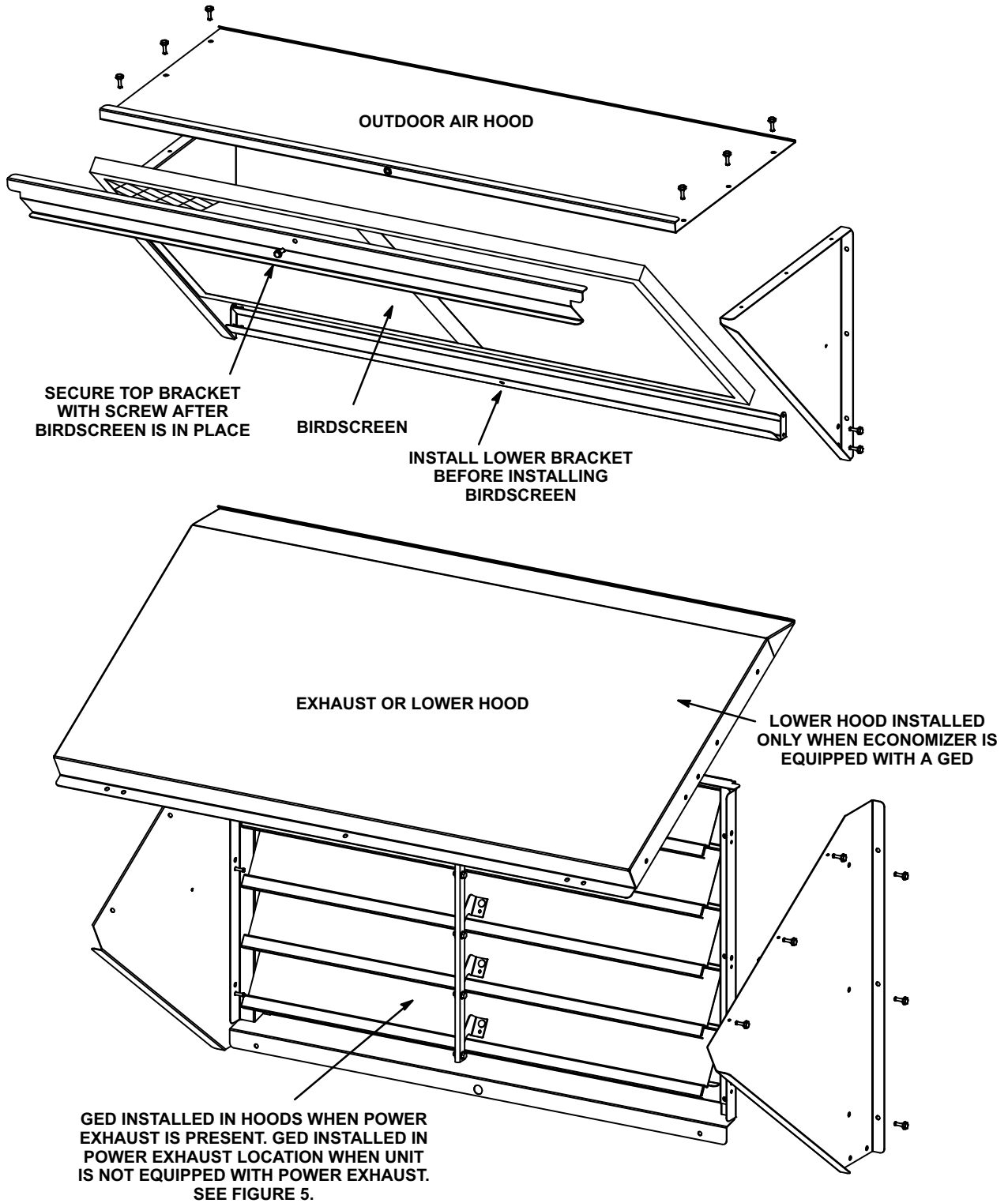


FIGURE 6

Outdoor Air Hoods

Factory-Installed Economizers Only -

Both hood tops and pivot brackets are secured to unit. The lower hood is provided and installed only when the economizer is equipped with an optional GED. Hood parts are located under the exhaust panel and in blower section. Lift hood tops and assemble hoods as described for field-installed economizers.

- 1- Make sure all sensors and outdoor air section accessories are installed before installing hoods.
- 2- Install pivot brackets and seal on unit as shown in figure 7.
- 3- Assemble hoods as shown in figure 6. Slide top of hoods into the ends of pivot brackets. Install bird screen bracket after bird screens are in place.
- 4- Install hoods on unit as shown in figure 8.
- 5- Caulk ends of pivot bracket to seal watertight.

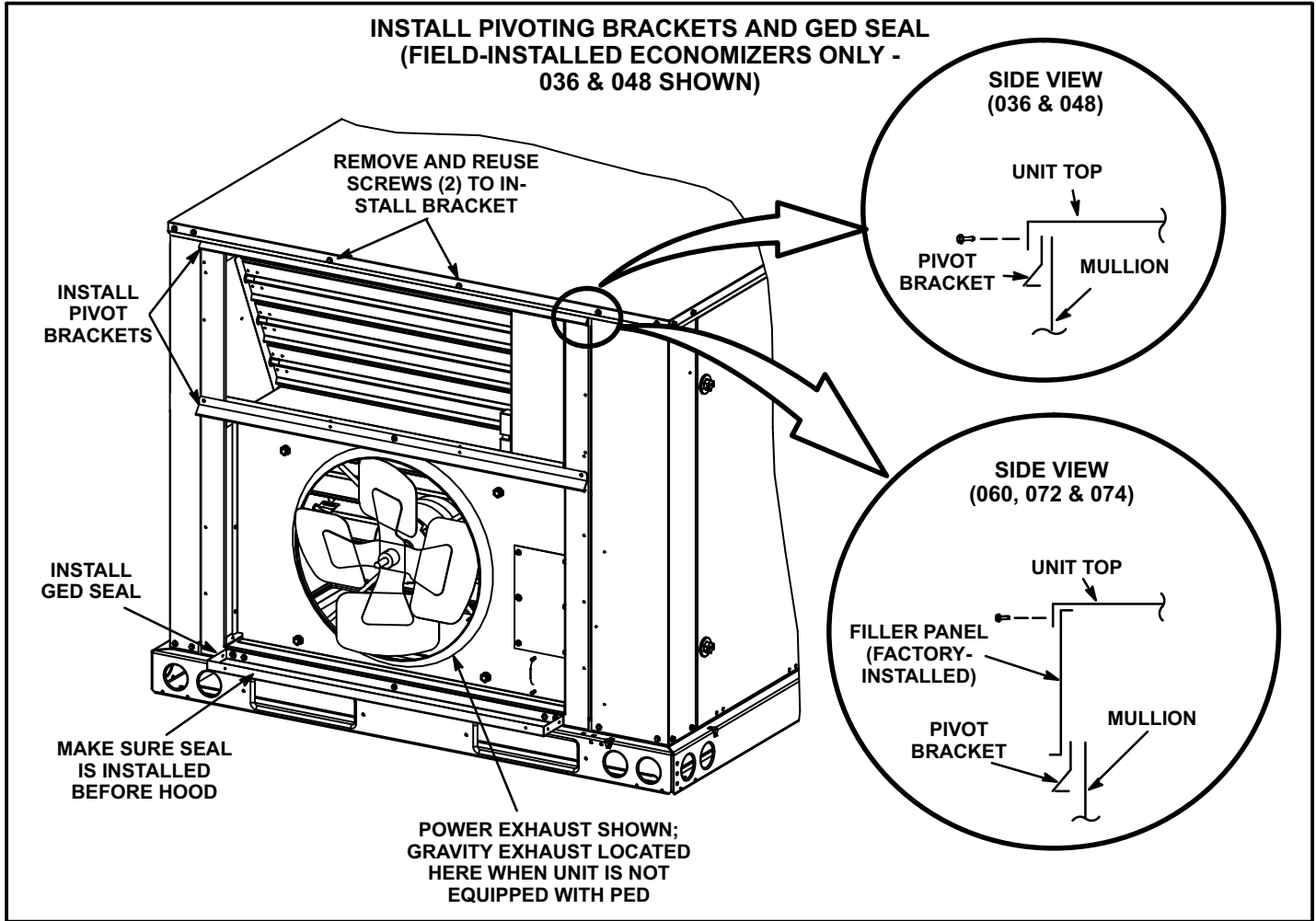


FIGURE 7

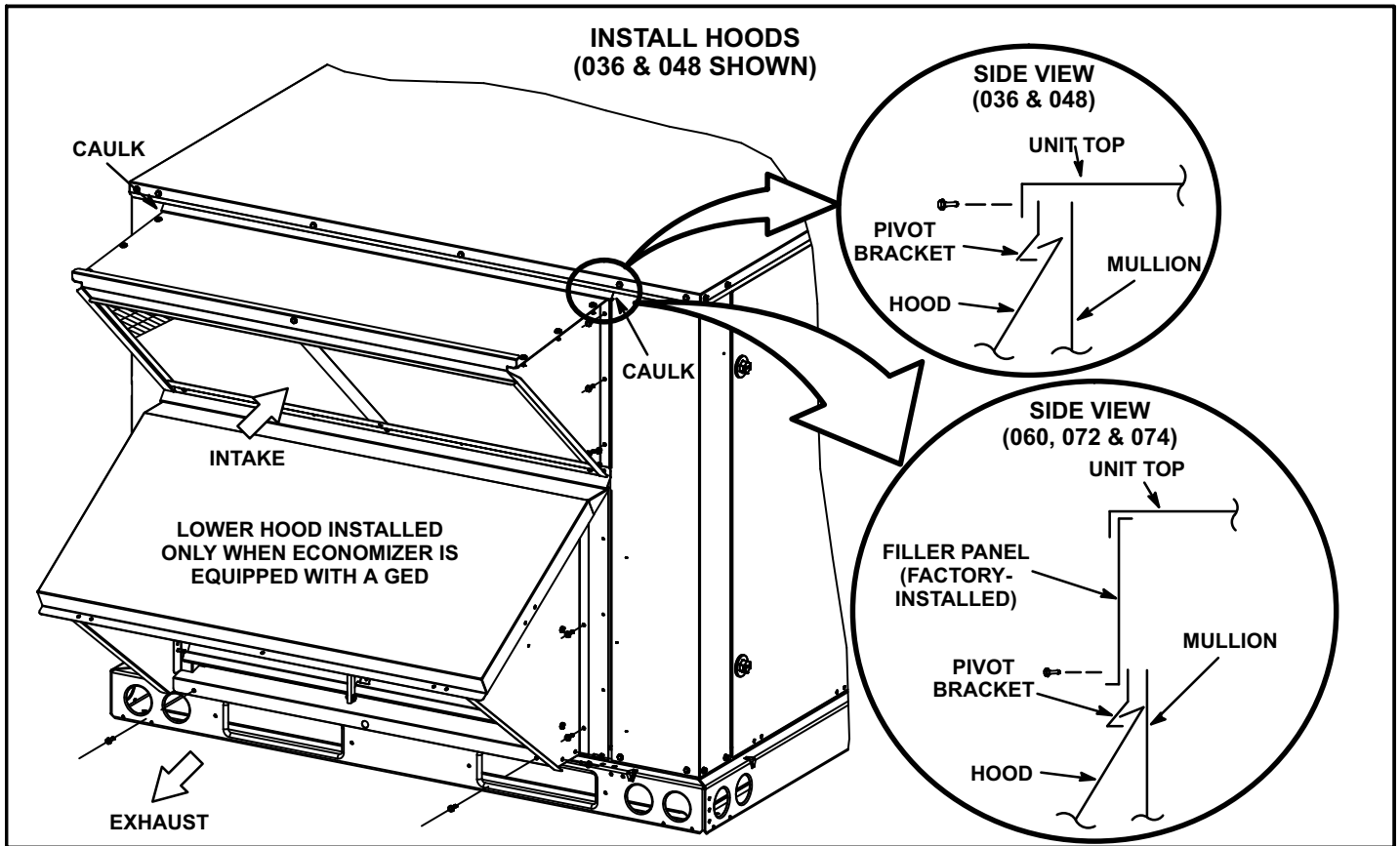


FIGURE 8

Install Economizer - Horizontal

A field fabricated return air duct transition and duct inlet must be installed in horizontal applications.

- 1- Remove unit end panel. See figure 9.
- 2- Install the downflow return air cover in horizontal airflow applications. Secure with #10 sheet metal screws provided in kit. See figure 9.
- 3- Make sure the horizontal return air cover on the back side of the unit remains in place. The opening is used when an economizer is not installed. See figure 10.
- 4- Install the economizer and R1 mixed air sensor and connect wiring as shown in appropriately named sections of this manual.

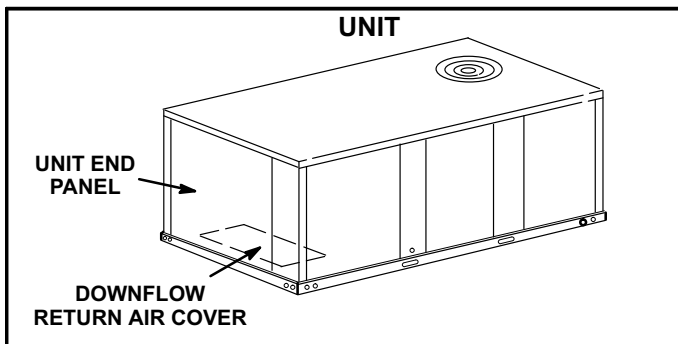


FIGURE 9

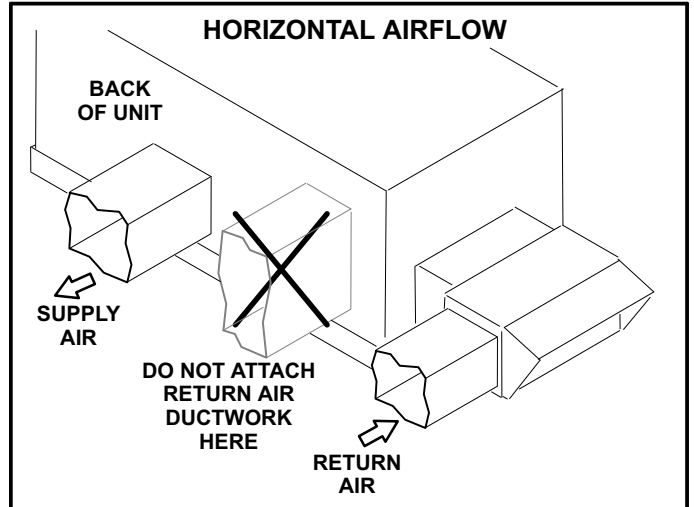


FIGURE 10

- 5- Install the field-fabricated return air duct transition and duct inlet on the unit end. See figure 11. Support the transition and duct inlet as needed.
- 6- Install the lower (exhaust) hood on the return air duct. The GED should already be installed in the hood as shown in the "GED" section of this manual.
- 7- Install the upper hood on the unit as shown in appropriate section of this manual.

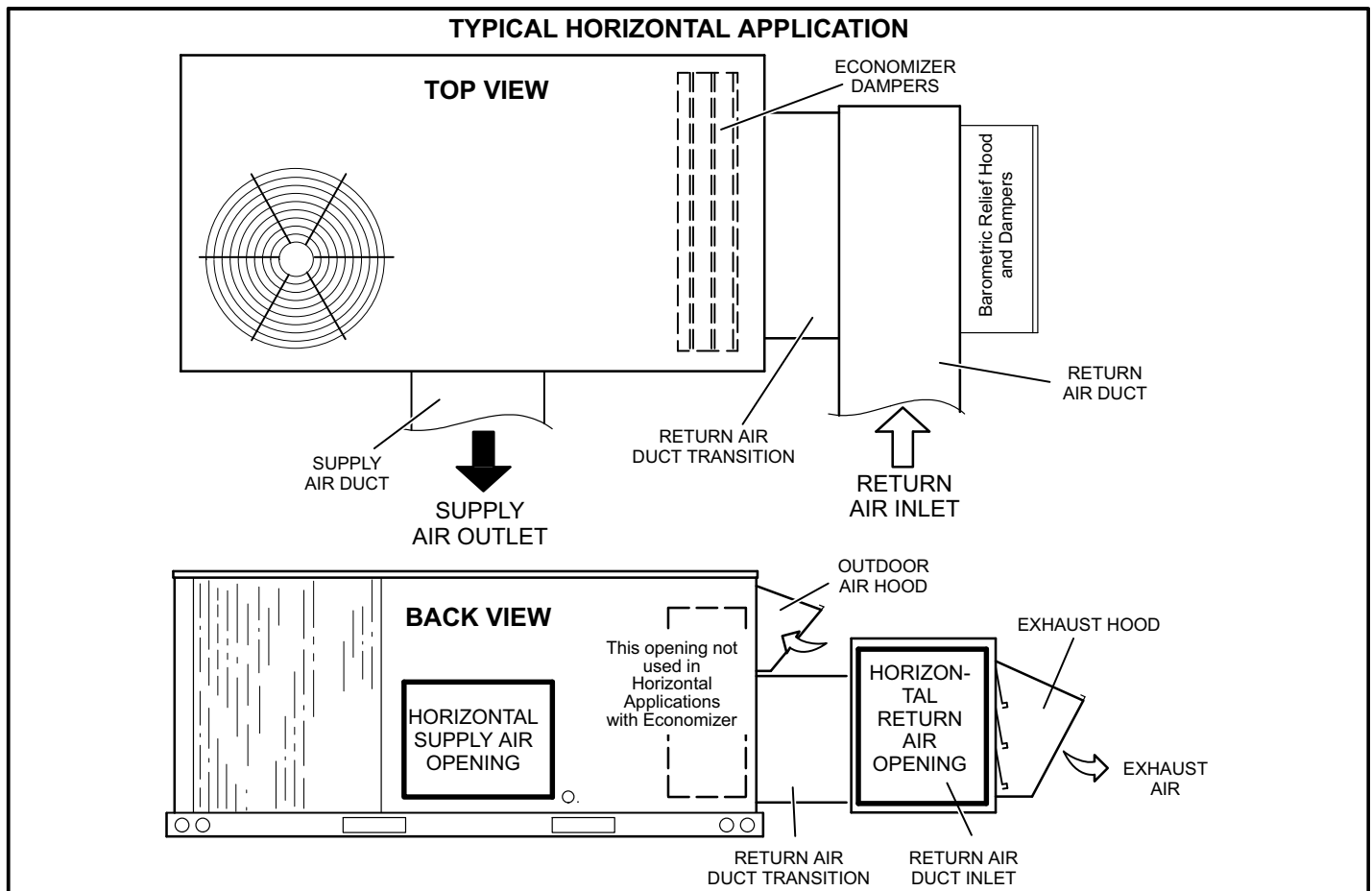


FIGURE 11

Economizer Start-Up - M2 Unit Controller

The unit will be equipped with either an M2 or M3 Unit Controller. M2 or M3 will be printed on the bottom of the Unit Controller near the SBUS connector. Use the appropriate start-up section in this manual and refer to the Unit Controller provided with the rooftop unit. Application manuals are available for both Unit Controllers.

The economizer is controlled by the Unit Controller which is located in the unit control panel. A detailed menu layout can be found in the Unit Controller manual provided with each unit.

A-Field-Installed Economizer

The Unit Controller must be set to identify an economizer has been installed.

- 1- Use the Unit Controller keypad to enter the following menu:
Setting / Install / Damper
- 2- Use the up/down arrows to display ECON and press the SELECT button (!SET! will display).
- 3- Press the left arrow returning up the menu path until the Unit Controller resets and saves the change.

The Unit Controller will now operate the economizer.

B-Free Cooling Mode and Setpoint

On start-up, the economizer mode defaults to TEMP OFFSET. In this mode, free cooling is energized when the outdoor air temperature (RT17) is less than return air temperature (RT16) by at least the offset value. The default offset value is 10°F. Use the following menu path on the Unit Controller to adjust the free cooling mode or setpoint. See figure 13 for sensor location.

Settings / Setpoints / Damper / Economizer Mode

Refer to table 3 and figure 12 for additional free cooling modes and setpoints. The Unit Controller has a restricted range of input values for each mode as shown in table 3.

Note - An energy management system may be used to provide the outdoor air suitable (OAS) signal via network connection. The free cooling mode must be set to one of the TEMP modes to allow this function.

C-California Title 24 Compliance

For *California Title 24* compliance, adjust the free cooling setpoint based on:

- The climate zone where the unit is installed. See table 4.
- The setpoint requirement published by the California Energy Commission. See *Section 140.4 - Prescriptive Requirements for Space Conditioning Systems of the 2013 Building Energy Efficiency Standards*.

Note - Values in the referenced standard will supersede values listed in table 4.

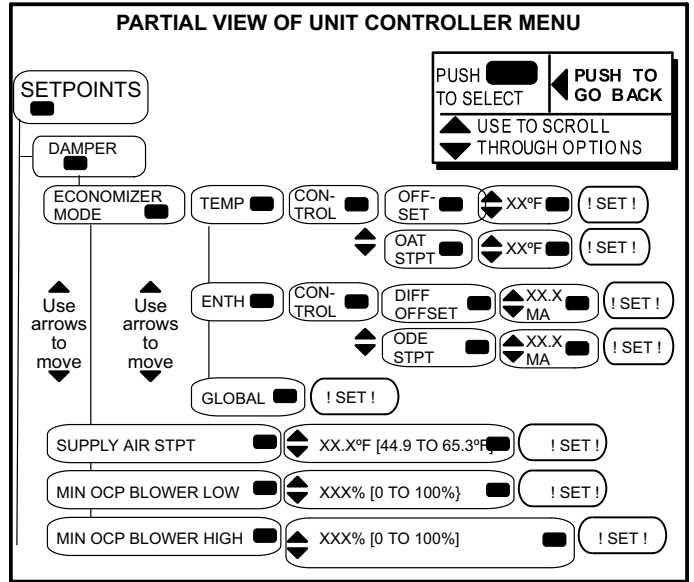


FIGURE 12

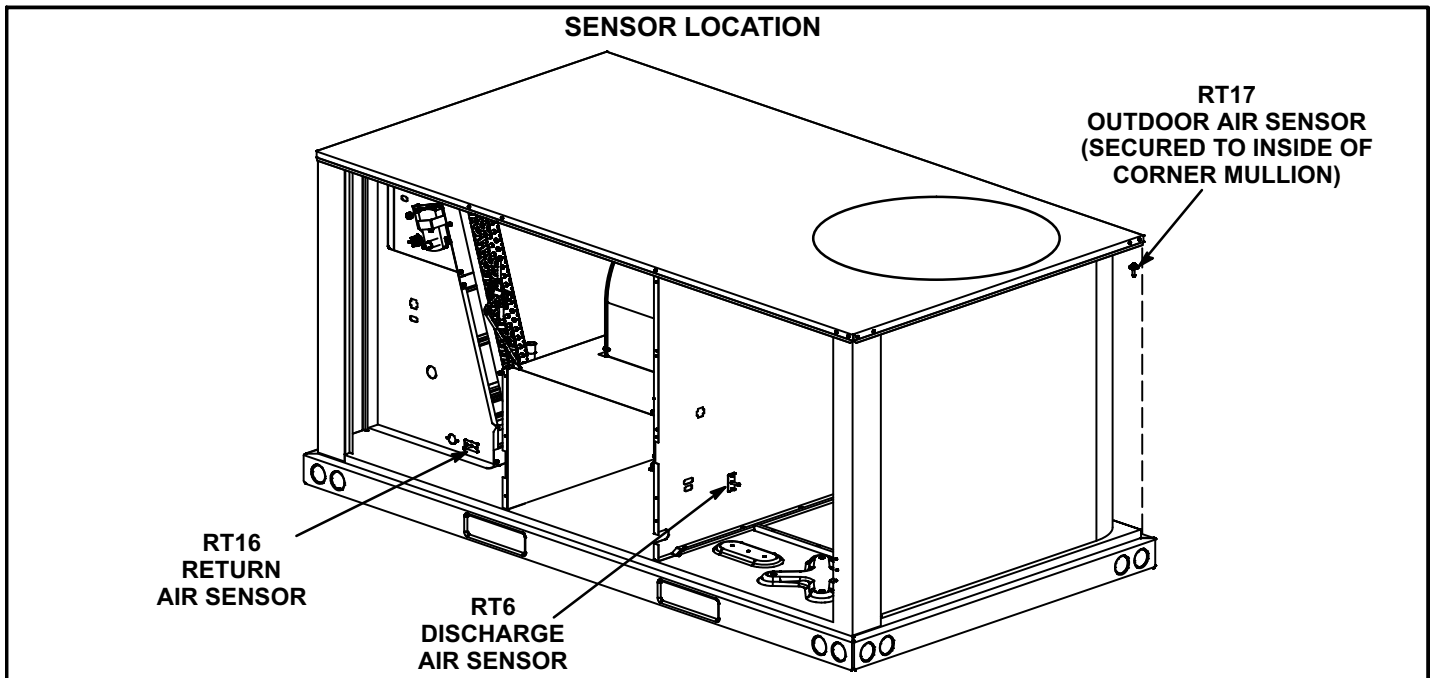


FIGURE 13

**TABLE 3
ECONOMIZER MODES AND SETPOINT**

Free Cooling Mode	Free Cooling Setpoint	Field-Provided Sensors	Dampers will modulate to 55°F discharge air (RT6) when outdoor air is suitable:	Permitted Inputs
TEMP	OFFSET	None Needed	Outdoor air temperature (RT17) is less than return air temperature (RT16) by at least the OFFSET value.	0-40°F
TEMP	OAT STPT	None Needed	Outdoor air temperature (RT17) is less than the OAT STPT value.	41-75°F
Remote	Remote	Energy Management System**	Either of the TEMP modes can be used when a network OAS signal is provided by an energy management or building control system, via BACnet, LonTalk, or L Connection. The network can command OAS, NOT OAS, or AUTO. AUTO returns to local control of OAS, which is the selected TEMP mode.	NA
ENTH	DIFF OFFSET	(Two) C7400	Outdoor air enthalpy* (A7) is less than return air enthalpy (A62) by at least the OFF-SET value.	0mA-4mA
ENTH	ODE STPT	C7400	Outdoor air enthalpy (A7) is less than free cooling setpoint.	12-19mA
GLOBAL	GLOBAL	24VAC Input Signal	Global input is energized by (P297-9). This setting is also used for outdoor air damper applications. Global input also brings on the blower. (This mode is NOT used when OAS signal is provided via network connection. GLO is only used when a 24VAC signal is used to energize the P297-9 GLO input.)	NA

*Enthalpy includes effects of both temperature and humidity.

**Energy management system may require additional field-provided sensors; refer to manufacturer's instructions.

**TABLE 4
FREE COOLING SETPOINT**

Climate Zone	Setpoint (Single Sensible)	Setpoint (Differential Sensible)
1, 3, 5, 11-16	75°F	0°F
2, 4, 10	73°F	2°F
6, 8, 9	71°F	4°F
7	69°F	6°F

D-Setting Free Cooling Setpoint in Enthalpy Mode

Free Cooling Setpoint - ODE STPT

The enthalpy sensor (A7) provides a milliamp signal to the Unit Controller based on outdoor air temperature and humidity. See table 5. To set a free cooling setpoint of 73°F at 50% relative humidity, enter “12” at the ODE STPT menu prompt. The Unit Controller will allow dampers to modulate open at approximately 73°F. If the space temperature is too warm, change the ODE STPT to “13.6” and the Unit Controller will allow dampers to modulate open at approximately 70°F.

**TABLE 5
FREE COOLING SETPOINT - ODE STPT MODE**

Enthalpy Setpoint °F (°C)*	Menu Entry - mA	Counts
73 (23)	12.0	150
70 (21)	13.6	173
67 (19)	15.5	199
63 (17)	17.6	224

*Approximate temperature at 50% relative humidity.

Free Cooling Differential Enthalpy - DIFF OFFSET

The Unit Controller allows damper modulation when outdoor air is lower than return air by a differential or offset temperature and humidity range. To set an offset range of 7°F at a constant relative humidity, enter “4” at the DIFF OFFSET menu prompt. If return air is 76°F, the Unit Controller will allow damper to modulate open at approximately 69°F outdoor air. See table 6. If the space temperature is too cool or dry, change the DIFF OFFSET to “3” and the Unit Controller will allow dampers to modulate open at approximately 71°F outdoor air.

**TABLE 6
FREE COOLING SETPOINT - DIFF OFFSET MODE**

*Temperature Offset °F	**Relative Humidity Offset %	Menu Entry mA	Counts
2	6	1	13
3.5	12	2	26
5.3	18	3	39
7	24	4	53

*At a constant relative humidity. **At a constant temperature.

E-Damper Minimum Position Setting

Use the menu path in figure 12 to set the minimum % open damper position when outdoor air is not suitable for free cooling. The minimum setpoint range is 0% open (dampers closed) to 100% (dampers fully open). On units equipped with a ventilation control board, refer to the VCB *Start-Up* section in the installation instructions provided with each unit.

**TABLE 7
FREE COOLING OPTIONS**

Config ID1 POS 2)	Unit Controller Input (Mode)	M3 Display (Free Cooling Options)	Default Setting	Range Setting	Outdoor air is suitable for free cooling when:
T	Differential Sensible Sensor (default mode)	ECONOMIZER TEMP ECON TYPE = TEMPERATURE OFFSET	10°F	0°F - 40°F	Outdoor air temperature (RT17) is less than return air temperature (RT16) by at least the offset value.
T	Single Sensible Sensor	ECONOMIZER TEMP ECON TYPE = TEMPERATURE SETPOINT	75°F	40 F - 75 F	Outdoor air temperature (RT17) is less than the Outdoor Air Temperature set point value.
T	Network OAS	ECONOMIZER TEMP ECON TYPE = TEMPER- ATURE OFFSET or SETPOINT	Not Applicable	Not Applicable	Either of the TEMP modes (set point or offset) can be used when a network OAS signal is provided by an energy management or building control system, via BACnet, LonTalk, or L Connection. The network can command OAS, NOT OAS, or AUTO. AUTO returns to local control of OAS, which is the selected TEMP mode.
S	Single Enthalpy* Sensor	ECONOMIZER ENTHALPY SETPOINT = 12.0 MA	12.0 mA	10mA - 19 mA	Outdoor air enthalpy (A7) is less than enthalpy set point parameter.
D	Differential En- thalpy* Sensor	ECONOMIZER ENTHALPY OFFSET = 1.0 MA	1.0 mA	1 mA - 5 mA	Outdoor air enthalpy* (A7) is less than return air enthalpy (A62) by at least the OFFSET value.
G	Global	Mode and setpoint are not set by Unit Controller. Menu advances to: FREE COOLING SUPPLY AIR SETPOINT = 55°F	Not Applicable	Not Applicable	Global input is energized by (P297-9). This setting is also used for outdoor air damper applications. Global input also brings on the blower. (This mode is NOT used when OAS signal is provided via network connection. GLO is only used when a 24VAC signal is used to energize the P297-9 GLO input.)

*Enthalpy includes effects of both temperature and humidity.

Economizer Start-Up - M3 Unit Controller

The unit will be equipped with either an M2 or M3 Unit Controller. M2 or M3 will be printed on the bottom of the Unit Controller near the SBUS connector. Use the appropriate start-up section in this manual and refer to the Unit Controller provided with the rooftop unit. Application manuals are available for both Unit Controllers.

The economizer is controlled by the Unit Controller which is located on the unit control panel. A detailed menu layout can be found in the Unit Controller manual provided with each unit.

A-Field-Installed Economizer

The Unit Controller must be set to identify an economizer has been installed. The configuration ID will also identify which sensor inputs the Unit Controller will use to determine the free cooling mode. See figure 13 for sensor location.

- 1- Use the Unit Controller keypad to enter the following menu:
MAIN MENU > SETUP > INSTALL
- 2- Press SAVE until CONFIGURATION ID 1 appears. Change the second character in the configuration ID to identify the type of input used to determine economizer free cooling setpoint. See table 7.
- 3- Press SAVE. The Unit Controller is now set up to operate the economizer.
- 4- Press the MAIN MENU button, then the BACK button, to display the status screen.

B-Adjust Free Cooling Discharge Air Setpoint

When outdoor air is suitable for free cooling, dampers will modulate to maintain a discharge air temperature of 55°F default (adjustable range 45°-67°F). Refer to RT6 discharge air sensor location shown in figure 13.

C-Free Cooling Modes

The Unit Controller automatically sets the free cooling mode when the configuration ID is entered. The temperature setpoint mode is the only exception.

- 1- Use the following menu path on the Unit Controller to enter the temperature setpoint mode.

MAIN MENU > SETTINGS > RTU OPTIONS > DAMPER > ECONOMIZER TEMP ECON TYPE = TEMPERATURE OFFSET (default)

- 2- Use the “Adjust and set values” arrows on the keypad to select TEMPERATURE SETPT.
- 3- Press SAVE.

Note - Network OAS signal and California Title 24 Compliance options use either TEMPERATURE OFFSET or TEMPERATURE SETPT mode.

D-Adjust Outdoor Air Free Cooling Setpoint

Note - Configuration ID 1 must be set to the appropriate mode before adjusting the free cooling setpoint. See table 7

Temperature Offset or Temperature Setpoint Mode

- 1- After the free cooling mode is saved, if default setpoint value needs to change, enter the new number and press SAVE.
- 2- For *California Title 24* compliance, adjust the free cooling setpoint based on:
 - The climate zone where the unit is installed. See table 4.
 - The setpoint requirement published by the California Energy Commission. See *Section 140.4 - Prescriptive Requirements for Space Conditioning Systems of the 2013 Building Energy Efficiency Standards.*

Note - Values in the referenced standard will supersede values listed in table 4.

- 3- When a network OAS signal is provided by a building control system, refer to control system literature to adjust free cooling setpoint.

Enthalpy Setpoint

The enthalpy sensor (A7) provides a milliamp signal to the Unit Controller based on outdoor air temperature and humidity. Use the following menu to change the setpoint:

MAIN MENU > SETTINGS > RTU OPTIONS > DAMPER > ECONOMIZER ENTHALPY SETPOINT = 12.0 MA

Refer to table 5. At 12.0mA, the Unit Controller will allow dampers to modulate open at approximately 73°F. If the space temperature is too warm or humid, change the ECONOMIZER ENTHALPY SETPOINT to “13.6MA” and the Unit Controller will allow dampers to modulate open at approximately 70°F.

Enthalpy Offset

The Unit Controller allows damper modulation when outdoor air is lower than return air by a differential or offset temperature and humidity range. Use the following menu to change the setpoint:

MAIN MENU > SETTINGS > RTU OPTIONS > DAMPER > ECONOMIZER ENTHALPY OFFSET = 1.0 MA

Refer to table 6. At 1.0mA, the Unit Controller will allow dampers to modulate open when outdoor air is lower than return air by approximately a 2°F offset. If return air is 76°F, the Unit Controller will allow dampers to modulate open at approximately 74°F. If the space temperature is too warm or humid, change the ECONOMIZER ENTHALPY SETPOINT to 2.0mA or an offset of 3.5°F. The Unit Controller will allow dampers to modulate open at approximately 72.5°F.

E-Damper Minimum Position Setting

Use the menu path in table 8 to set the MIN DAMPER POSITION BLOWER ON HIGH when outdoor air is not suitable for free cooling. The minimum setpoint range is 0% open (dampers closed) to 100% (dampers fully open). On units with staged supply air blowers, also set the MIN DAMPER POSITION BLOWER ON LOW.

**TABLE 8
DAMPER OPTIONS**

Level 2	Level 3	Level 4	Level 5
RTU OP- TION	DAMPER	ECONOMIZER ENTHALPY OFFSET = 12.0 MA	
		ECONOMIZER ENTHALPY SETPOINT = 1.0 MA	
		ECONOMIZER TEMP ECON TYPE = TEMPERATURE OFFSET OR TEMPERATURE SETPT	
		ECONOMIZER OAT SETPOINT = XX.X F	
		FREE COOLING SUPPLY AIR SETPOINT = 55°F	
		MIN DAMPER POSITION BLOWER ON HIGH = X.X %	
		MIN DAMPER POSITION BLOWER ON LOW = X.X %	

Note - Menu options vary depending on hardware configuration.

Note - Use the “Adjust and set values” arrows to scroll up or down for selection options.