

**INSTALLATION INSTRUCTIONS FOR FLOAT SWITCH KIT  
 (602799-04 & 06; 74W42 & 10C24) USED WITH KG/KC/KH 024-300 UNITS**

**Shipping and Packing List**


**Package 1 of 1 contains:**

- 1- Overflow (float) switch (S149)
- 1- Float switch mounting bracket
- 1- Overflow switch delay (DL46)
- 1- Overflow switch relay (K220)
- 1- Wire harness
- 2- Screws #10-32 X 1/2"
- 2- Screws #10-16 X 5/8" SDST
- 1- Screws #8-32 X 1" TFS
- 2- Wire nuts
- 15- Wire ties

**Application**

This kit is used on KG/KC/KH 024-300 units.

The overflow switch is used to interrupt cooling operation when excessive condensate collects in the drain pan. The N.O. overflow switch is controlled by K220 and DL46 relays, provided in this kit. When the overflow switch closes, 24VAC power is interrupted and after a five-second delay unit compressors are de-energized. Once the condensate level drops below the set level, the switch will open. After a five-minute delay the compressor will be energized.


**WARNING**

**Improper installation, adjustment, alteration, service or maintenance can cause property damage, personal injury or loss of life. Installation and service must be performed by a qualified installer, service agency or the gas supplier**

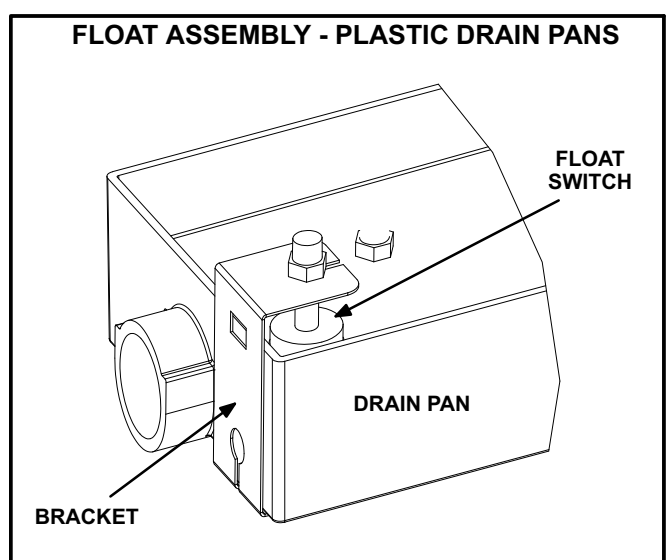
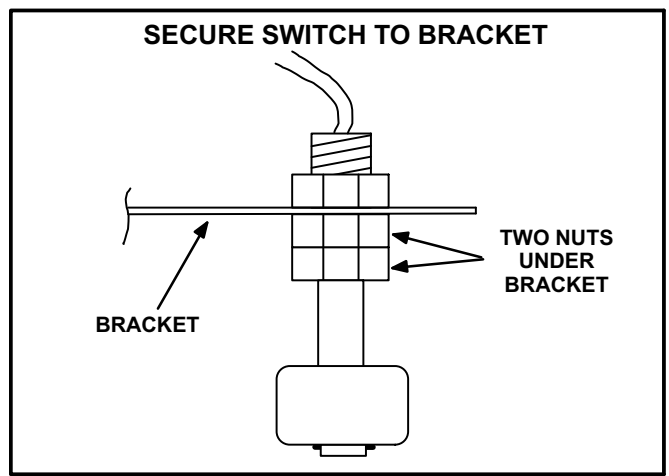
**Installation**

- 1- Disconnect all electrical power to unit and open control access door.
- 2- Remove panel covering the condensate drain pipe.
- 3- Secure float switch to bracket. See figure 1. Secure bracket to drain pan. See figure 2 for plastic drain pans and figure 3 for stainless steel drain pans.

*IMPORTANT - 024-150 UNITS ONLY - When condensate drainage is required through the back of the unit: remove drain pan, install float switch assembly on the left side of the drain pan nipple and install with switch oriented toward the back of the unit. See figure 4. Route wire harness between the drain pan and heat section.*


**CAUTION**

**Danger of sharp metallic edges. Can cause injury. Take care when servicing unit to avoid accidental contact with sharp edges.**



### FLOAT ASSEMBLY - METAL DRAIN PANS

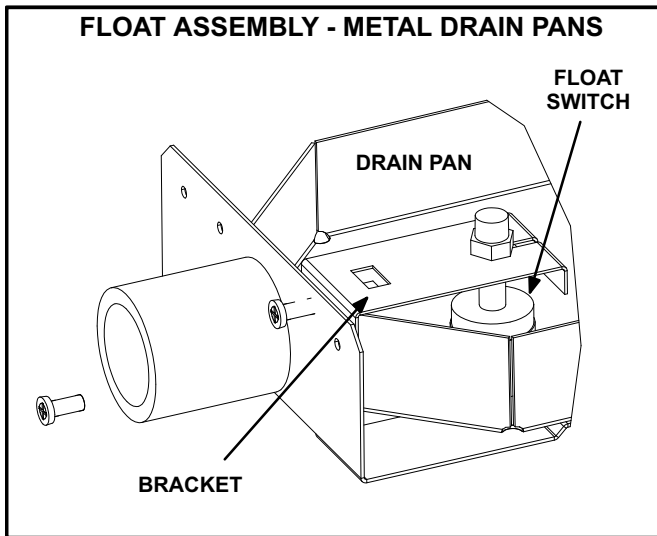


FIGURE 3

### SWITCH ASSEMBLY WITH DRAIN PAN REVERSED (024-150 UNITS ONLY)

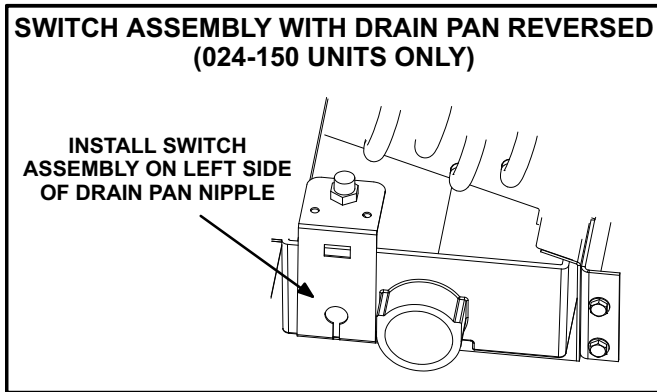


FIGURE 4

### Installation

- 1- Install two relays on control panel with screws provided in kit. See figure 5 for 024-090 units, figure 6 for 092-150 units and figure 7 for 156-300 units.
- 2- Route wiring as shown in figure 8 for 024-090 units, figure 9 for 092-150 units and figure 7 and 10 for 156-300 units. Secure wiring to existing harnesses with wire ties.
- 3- Route wires marked S149 to float switch on drain pan. Bundle excess wire and secure to insulated suction pipe with provided wire ties.
- 4- Locate pink wire marked P35-1/96 in control area. Cut wire, strip ends and connect kit harness as shown in figure 11. Wires are stamped with the appropriate marking.
- 5- *024-090 Unit Only* - Cut quick connect terminals off of ground wires, strip and secure to ground lug.
- 6- *092-300 Units Only* - Connect the ground wires to ground terminal strip or ground lug.
- 7- Reinstall panels and restore power to unit.

### INSTALL RELAYS - 024-090 UNITS

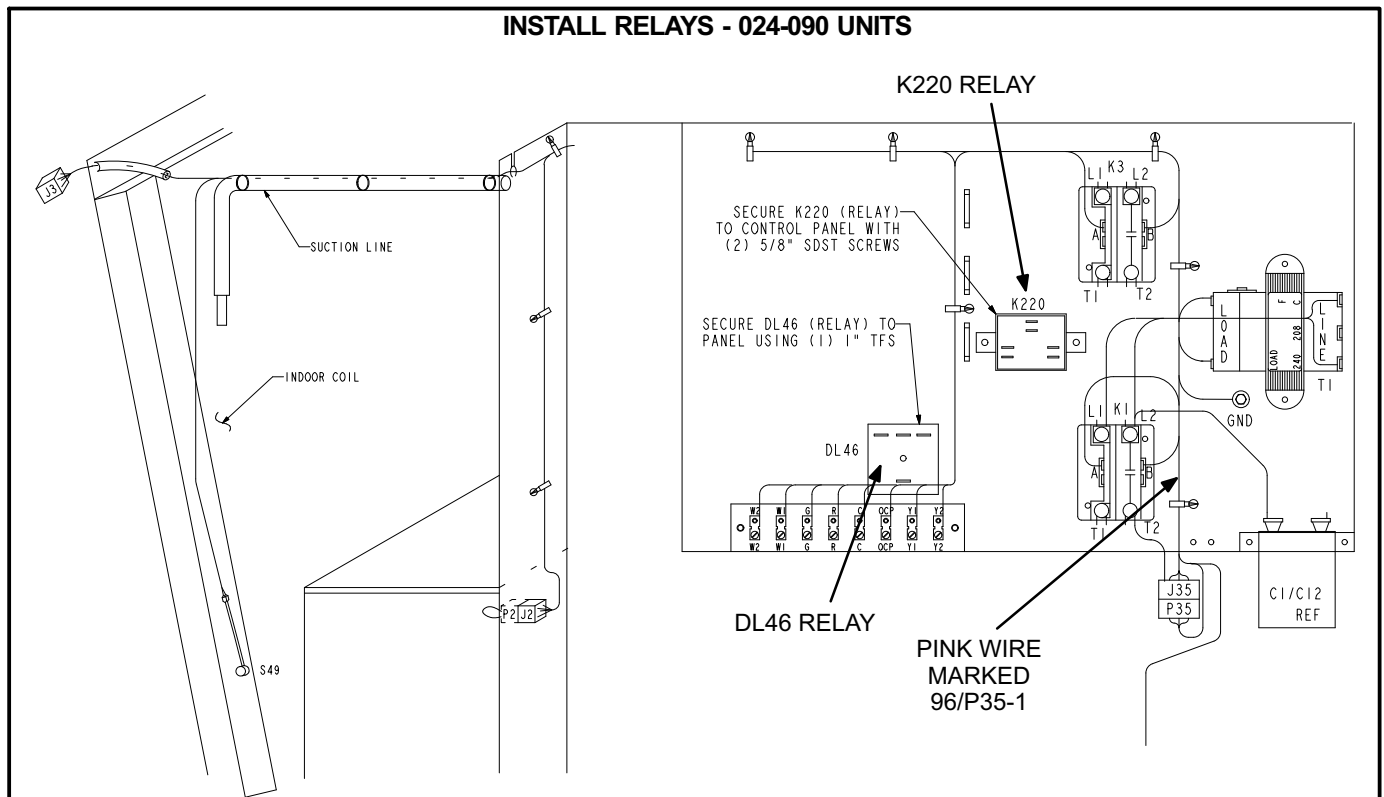


FIGURE 5

INSTALL RELAYS - 092-150 UNITS

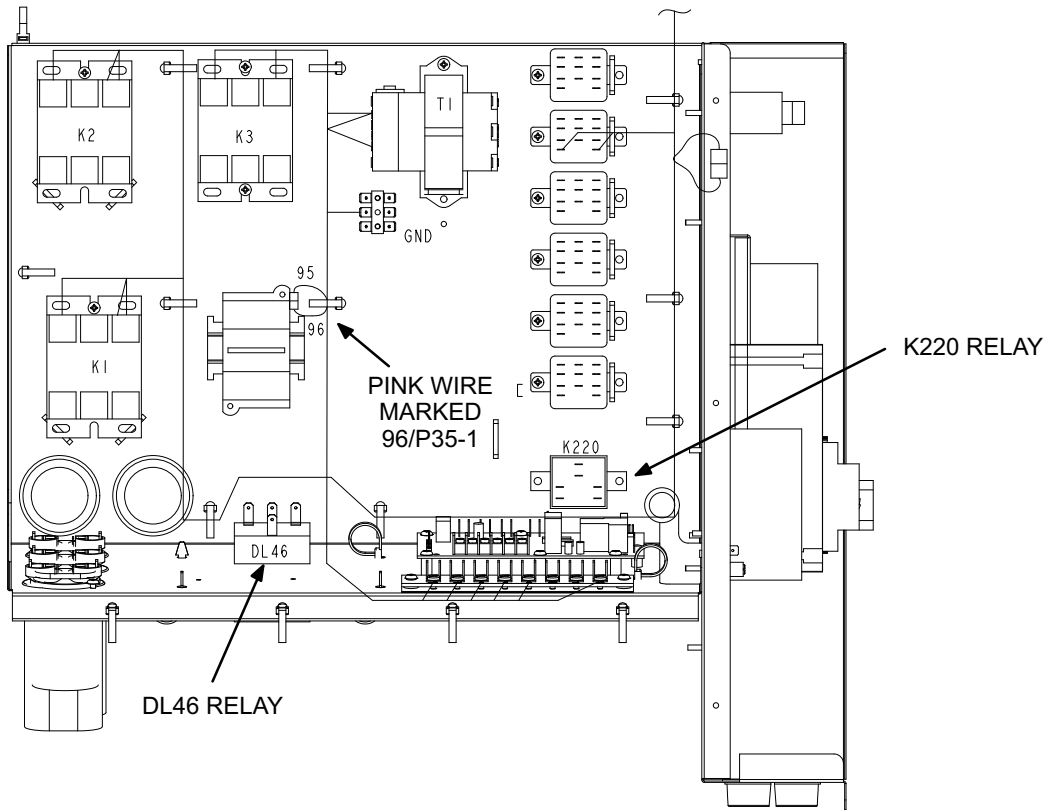


FIGURE 6

# INSTALL RELAYS - 156-300 UNITS

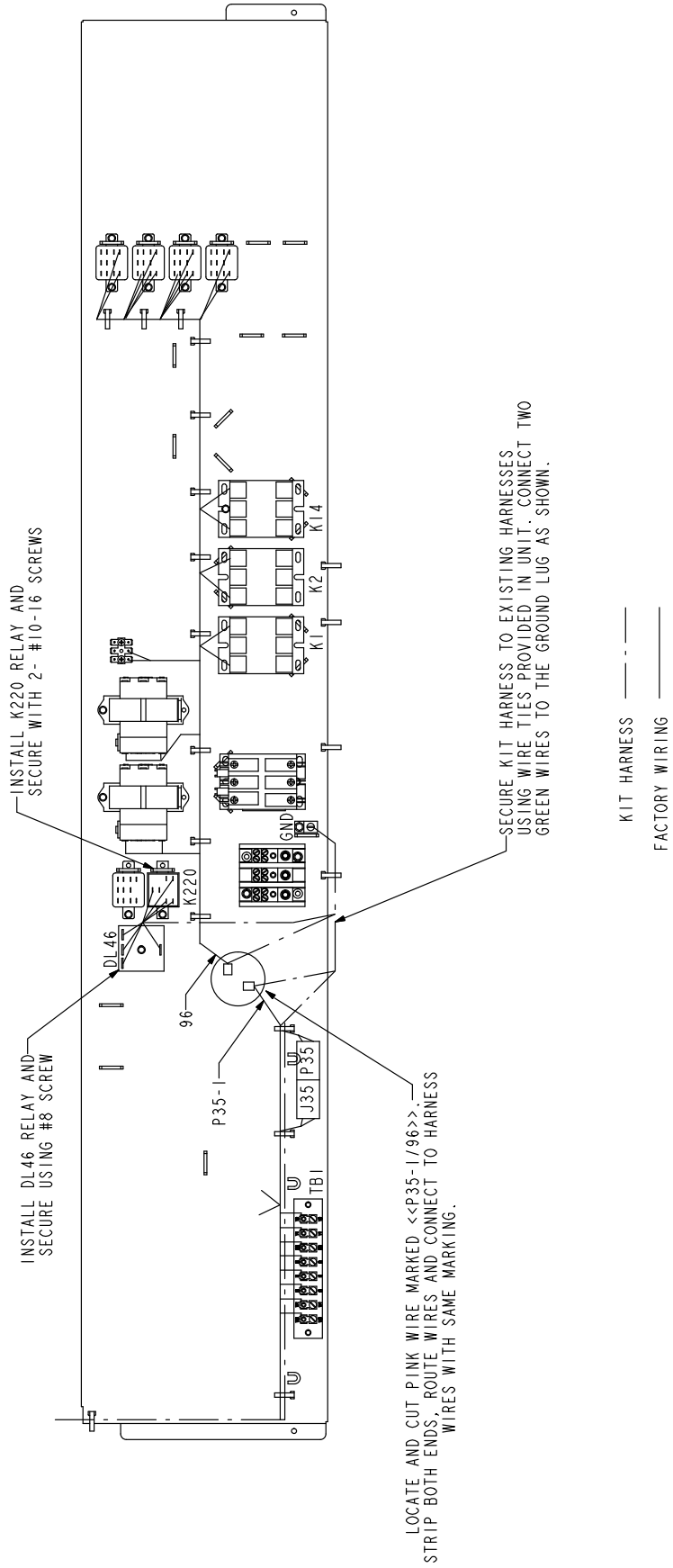
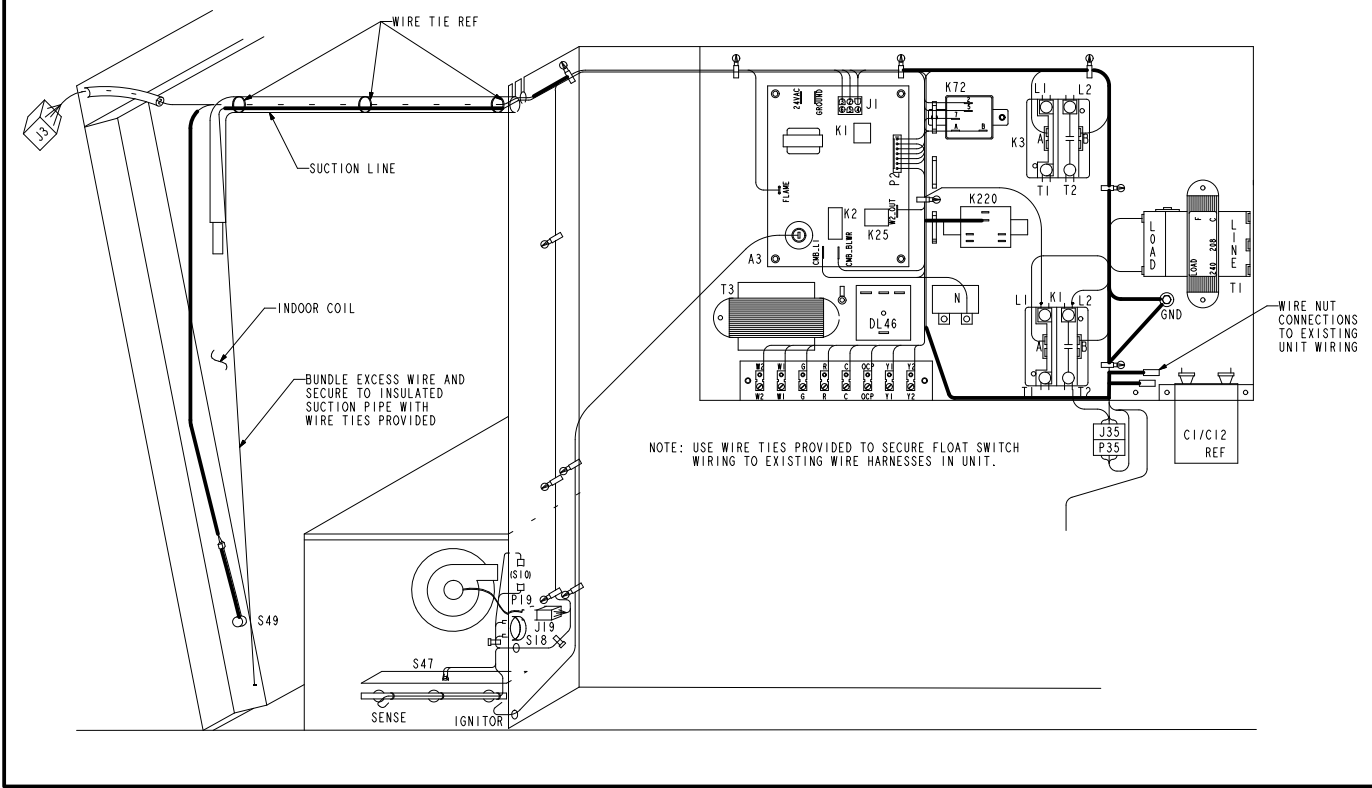


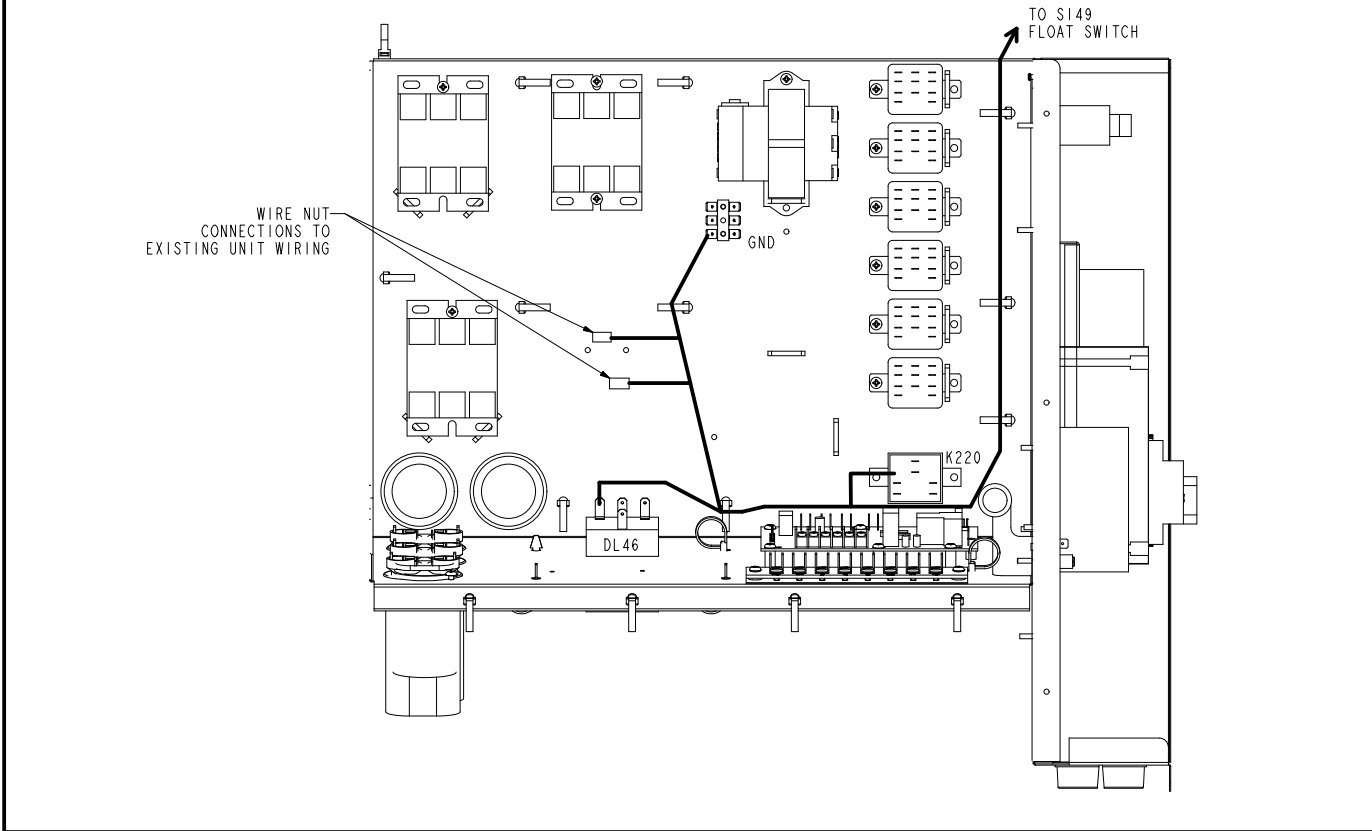
FIGURE 7

**ROUTE AND SECURE WIRING - 024-090 UNITS**



**FIGURE 8**

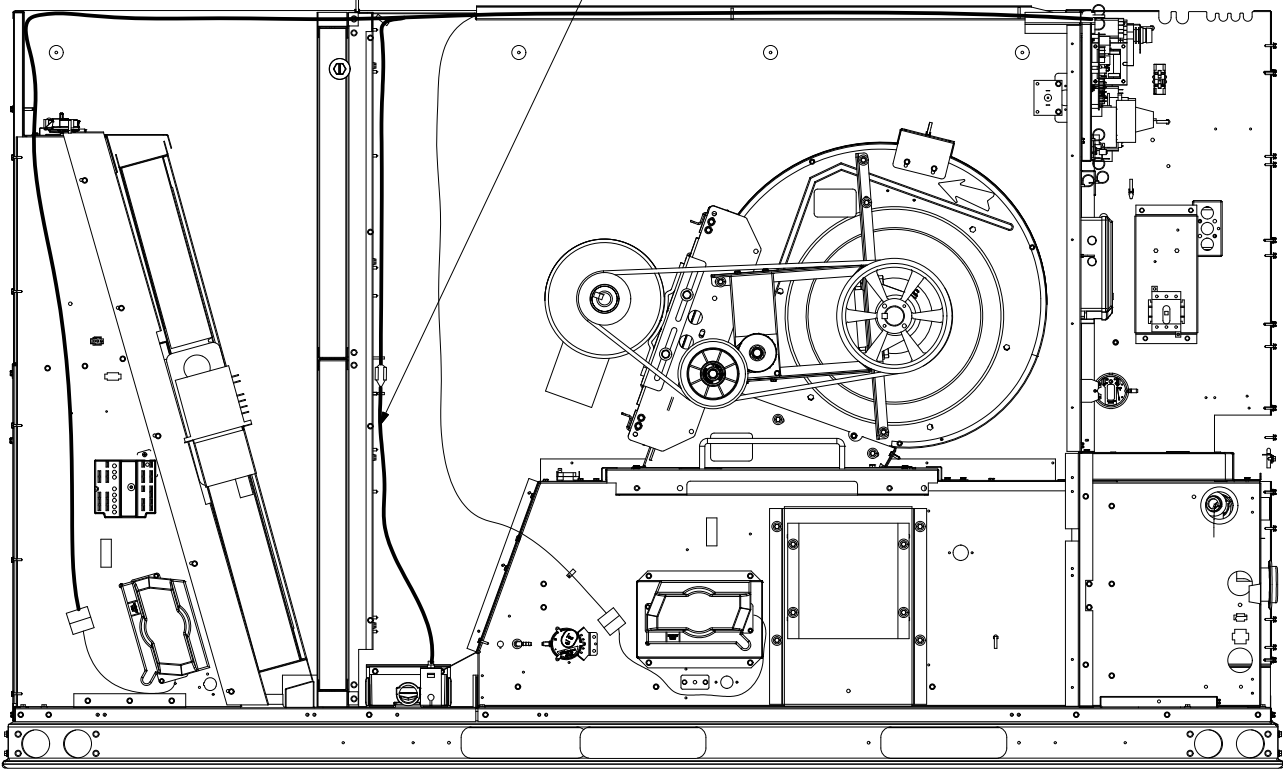
**ROUTE AND SECURE WIRING - 092-150 UNITS**



**FIGURE 9**

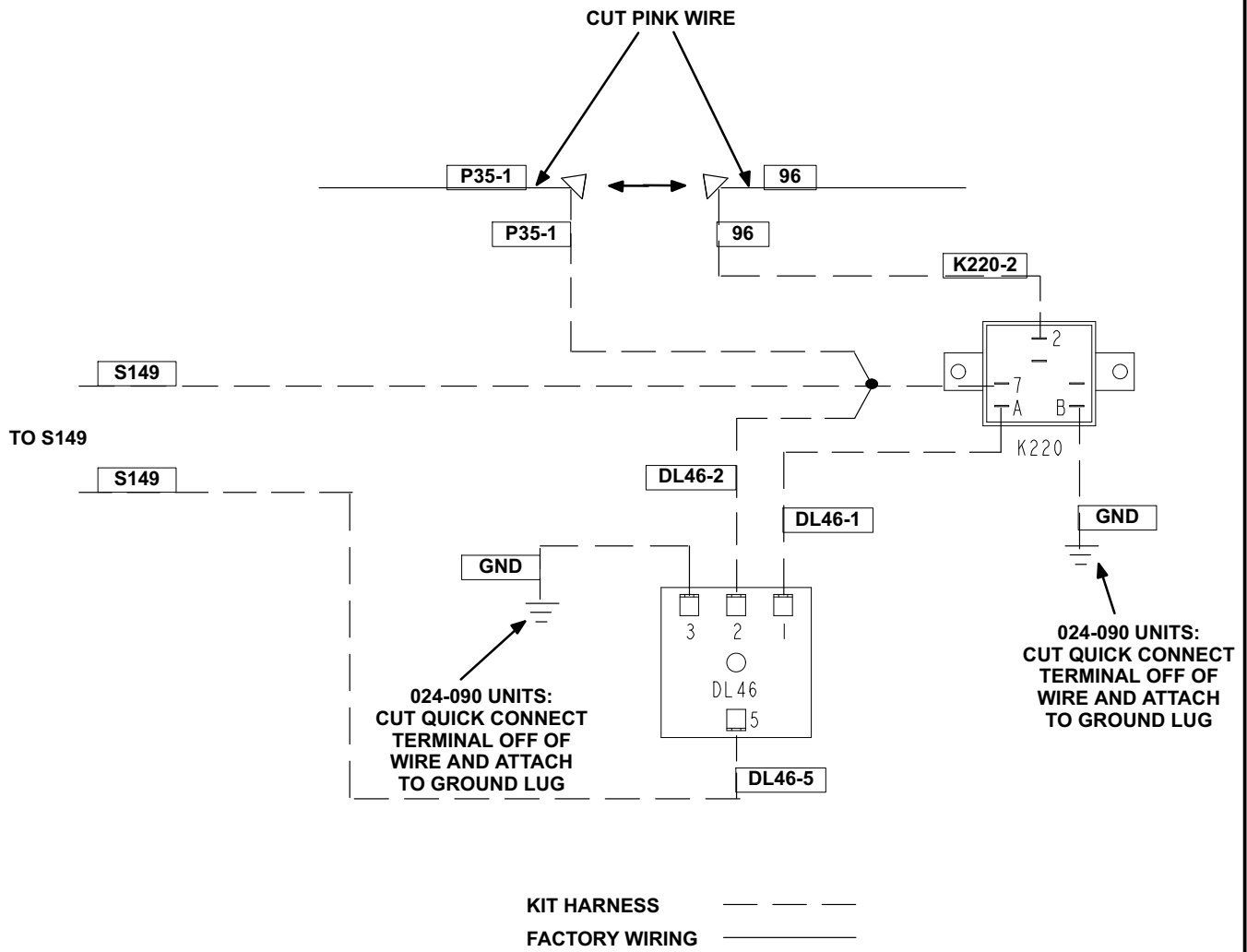
**ROUTE AND SECURE WIRING - 156-300 UNITS**

BUNDLE EXCESS WIRE AND SECURE TO INSULATED SUCTION PIPE WITH WIRE TIES PROVIDED.



**FIGURE 10**

**CONNECT WIRE HARNESS - ALL UNITS**



**FIGURE 11**