



507439-01
10/2014
Supersedes 506323-01

**NATURAL TO LP (PROPANE)
GAS CHANGEOVER KIT**

**INSTALLATION INSTRUCTIONS FOR NATURAL TO LP (PROPANE) KIT
USED WITH 092-150 PACKAGED GAS UNITS**

! WARNING

This conversion kit shall be installed by a qualified service agency in accordance with the manufacturer's instructions and all applicable codes and requirements of the authority having jurisdiction. If the information in these instructions is not followed exactly, a fire, an explosion or production of carbon monoxide may result causing property damage, personal injury or loss of life. The qualified service agency is responsible for the proper installation of this kit. The installation is not proper and complete until the operation of the converted appliance is checked as specified in the manufacturer's instructions supplied with the kit.

Shipping And Packing List

Package 1 of 1 contains:

- 1- Spring kit
- 1- Bag assembly containing:
 - 1-LP/propane conversion plate sticker
 - 1-Converter sticker
 - 1-Clear laminate sticker
- 1- Bag assembly containing
 - 11-Burner orifices .052" (53W09)
 - 9-Burner orifices .052 (53W10)
 - 9-Burner orifices .051 (11X11)
 - 6-Burner orifices .052" (53W07)

! WARNING

Improper installation, adjustment, alteration, service or maintenance can cause property damage, personal injury or loss of life. Installation and service must be performed by a qualified installer, service agency or the gas supplier

Application

Kit	092-150 (7.5-12-1/2 Ton) Application
603428-01 53W07	Std. heat (Units with 6 burners)
603428-02 53W08	Med. heat (Units with 9 burners)
603428-04 11X11	Med. heat (Units with 9 burners)
603428-03 53W09	High heat (Units with 11 burners)

! CAUTION

Danger of sharp metallic edges. Can cause injury. Take care when servicing unit to avoid accidental contact with sharp edges.

Requirements

This conversion kit shall be installed by a qualified service agency. A qualified service agency is any individual, firm, corporation or company which either in person or through a representative is engaged in and is responsible for the connection, installation, repair or servicing of gas utilization equipment or accessories, who is experienced in such work, familiar with all precautions required, and has complied with all the requirements of the authority having jurisdiction.

Canadian installations only - The conversion shall be carried out in accordance with the requirements of the Provincial authorities having jurisdiction and in accordance with the requirements of the CAN/CGA-B149.1 and .2 Installation Code.

Installation

IMPORTANT-The gas supply shall be shut off prior to disconnecting the electrical power, before proceeding with this conversion.

- 1- Turn main manual shut-off valve off and turn off electrical supply to unit. Set thermostat to "Off" position.

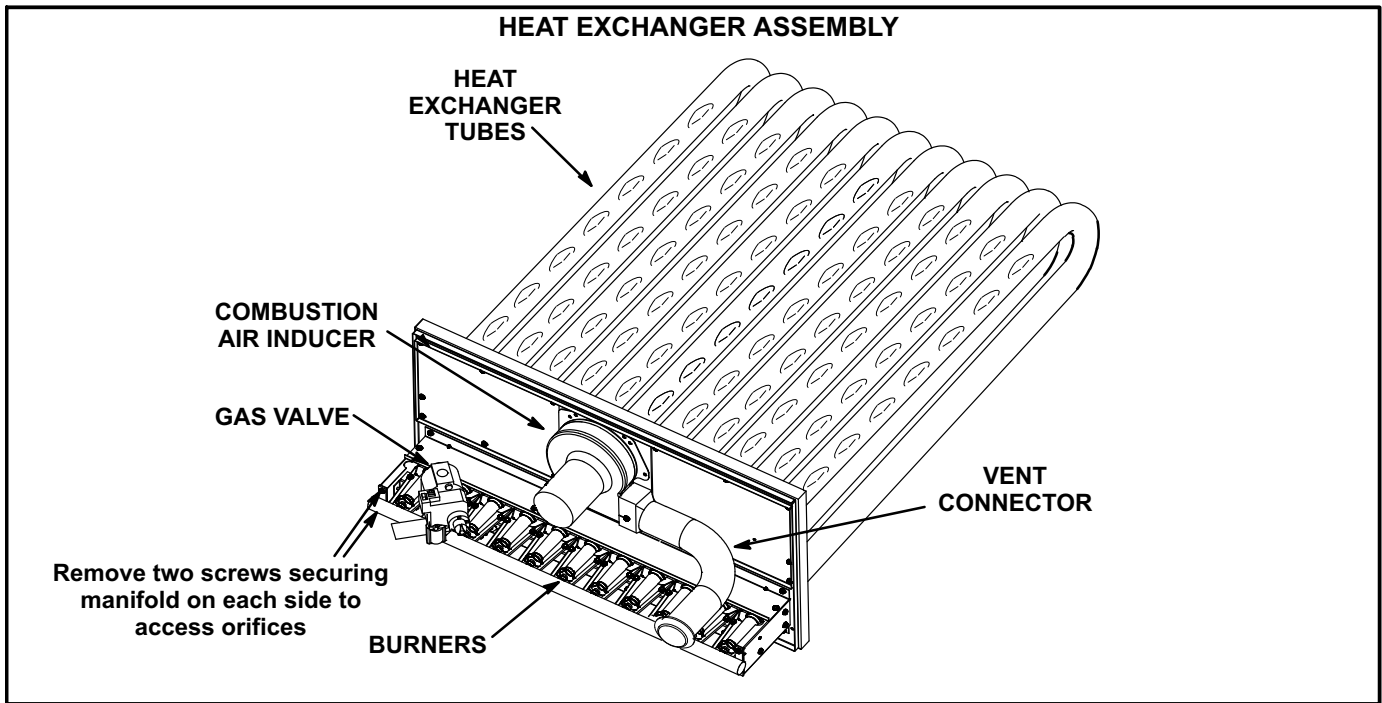


FIGURE 1

- 2- Remove or open burner compartment access panel(s) and close manual knob on gas valve.
- 3- Label and disconnect wiring to gas valve. Disconnect gas supply piping to gas valve if installed.
- 4- Remove and retain four screws securing manifold to burner box. See figure 1.
- 5- Remove orifices from manifold and install the orifices provided in kit.

CAUTION - Tighten orifices with pipe threads to 6.25 ft.lbs. Do not overtighten.

IMPORTANT - Do not use thread compound on gas orifices.

- 6- Secure manifold to burner box with four retained screws.
- 7- Install spring kit. Refer to figure 2 and manufacturer's instructions packaged with spring kit.
- 8- Connect previously labeled wires to gas valve and connect gas supply to gas valve.
- 9- Turn manual main shut-off valve on.
- 10- Make a check mark in the appropriate box on the conversion sticker corresponding to unit model number shown on nameplate. Affix appropriate conversion sticker near unit nameplate. Place clear laminate over sticker.
- 11- Complete installer information on converter sticker and affix to vestibule panel.

- 12- Affix gas valve conversion sticker (found in Honeywell conversion kit) on gas valve.
- 13- Follow Start-up and Adjustment sections to place furnace in operation.

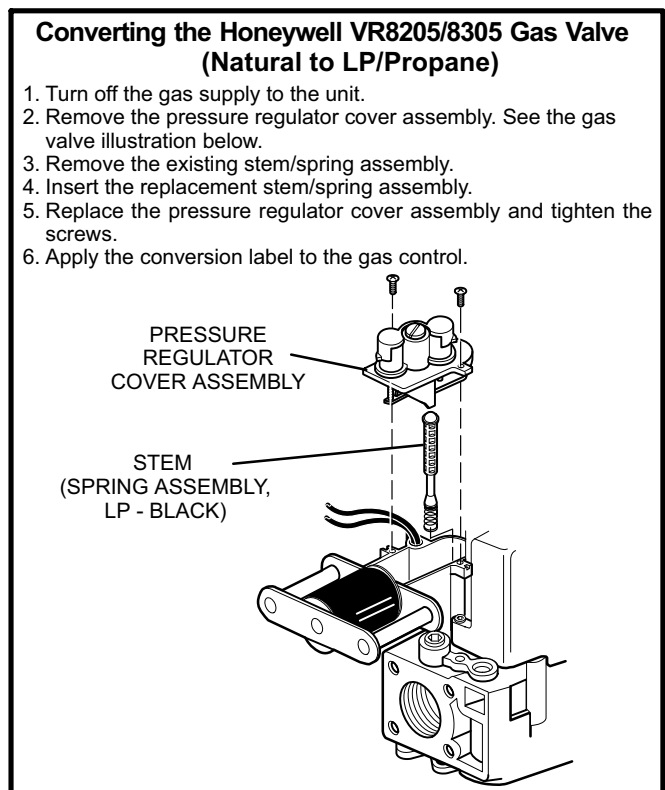


FIGURE 2

Start-Up And Adjustments

WARNING



Danger of explosion. Can cause injury or death. Do not attempt to light manually. Unit has a direct spark ignition system.

A-To place unit in operation:

- 1- Set thermostat to "Off" position and close manual knob on gas valve.
- 2- Wait five minutes, then open manual knob on gas valve and replace burner compartment access panel.
- 3- Restore electrical supply to unit and set fan switch to "Auto" or "On." Move system selection switch to "Heat" and adjust thermostat setting above room temperature.
- 4- The combustion air blower will start and burners will light within 40 seconds.

5- If burners do not light first time (gas line not fully purged), ignition system will attempt to light two more times before locking out gas valve operation.

6- If lockout occurs, repeat steps 1, 2 and 3 above.

B-To shut down unit operation:

- 1- Set thermostat selection switch to "Off" position, remove burner compartment access panel and turn manual knob on gas valve to "Off" position.
- 2- Replace burner access panel.

C-Heating Adjustment

Check gas line pressure with unit firing at maximum rate. A minimum of 10.8" w.c., and a maximum of 13.5" w.c. should be maintained. Manifold pressure is preset at 10.5" w.c. No adjustment should be necessary. On multiple unit installations, each unit should be checked in sequence beginning with the one closest to the supply gas main and progressing to the one furthest from the main.