



©2015 Lennox Industries Inc.
Dallas, Texas, USA



V8MSBB04 Shown

THIS MANUAL MUST BE LEFT WITH THE OWNER FOR FUTURE REFERENCE

These instructions are intended as a general guide and do not supersede local codes in any way. Consult authorities having jurisdiction before installation.

⚠ WARNING

Improper installation, adjustment, alteration, service or maintenance can cause property damage, personal injury or loss of life. Installation and service must be performed by a licensed professional HVAC installer, service agency or the gas supplier. Failure to follow safety warnings and these instructions exactly could result in property damage, dangerous operation, serious injury, or death. Any additions, changes, or conversions required in order for the appliance to satisfactorily meet the application needs must be made by a licensed professional HVAC installer (or equivalent) using factory-specified parts. Do not use this system if any part has been under water. A flood-damaged appliance is extremely dangerous. Immediately call a licensed professional HVAC service technician (or equivalent) to inspect the system and to replace all controls and electrical parts that have been wet, or to replace the system, if deemed necessary. The State of California has determined that this product may contain or produce a chemical or chemicals, in very low doses, which may cause serious illness or death. It may also cause cancer, birth defects, or reproductive harm.

⚠ CAUTION

As with any mechanical equipment, personal injury can result from contact with sharp sheet metal edges. Be careful when you handle this equipment.

INSTALLATION INSTRUCTIONS

Mode Selection Box

VRF SYSTEMS -- OUTDOOR UNIT ACCESSORIES
507453-02
11/2015

Shipping and Packing List

Check the components for shipping damage. If you find any damage, immediately contact the last carrier.

Package 1 of 1 contains the following:

- 1 - Assembled mode selection box
- 3 - Insulation sleeves for piping from outdoor unit
- 1 - 1" X 3/4" condensate drain adaptor
- 1 to 6* - 3/8" to 1/4" adaptors
- 1 to 6* - 5/8" to 1/2" adaptors
- 1 to 6* - 3/8" brass flare nuts
- 1 to 6* - 5/8" brass flare nuts
- 1 to 6* - Gas pipe insulation sleeve(s)
- 1 to 6* - Liquid pipe insulation sleeves

*Quantity of these items depends on number of refrigerant piping connection pairs.

Installation

Mode selection boxes V8MSBB01 (12A53), V8MSBB02 (12A54), V8MSBB03 (12A55) and V8MSBB04 (12A56) are used with VRA heat recovery outdoor units to allow simultaneous heating and cooling in multiple zones. Mode selection boxes include solenoid valves which control refrigerant flow through the individual indoor units so that unit operation (heating or cooling) matches the comfort requirements being sent by the corresponding thermostat.

Mode selection boxes are sized to accommodate up to 24 indoor units. See table 1.

Mode selection boxes are equipped with flared fittings for indoor unit refrigerant piping connections and sweat fittings for outdoor unit connections.

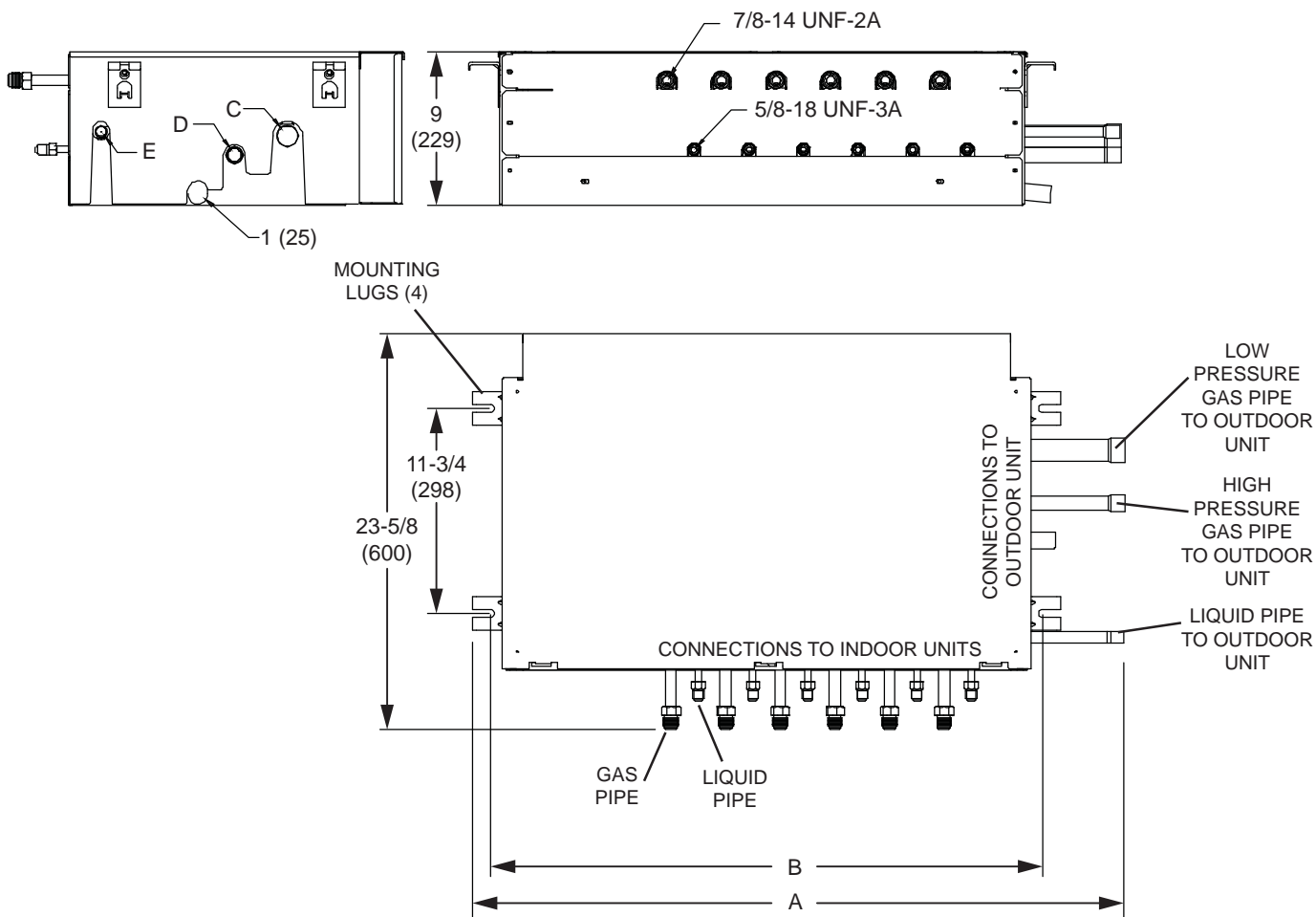
Refer to the Product Specification bulletin (EHB) for the proper use of mode selection boxes with matching VRA heat recovery units, indoor units, branch pipes, line sets and controls.

⚠ WARNING

The MS Box is factory fitted with Black plastic caps over the flare connection points. These must be replaced with the supplied brass flare nuts. Under no circumstances can the plastic caps be used as a permanent seal even when not all ports are used. A suitable blanking device must be fitted on all unused ports.

Unit Dimensions - inches (mm)

V8MSBB01, V8MSBB02, V8MSBB03, V8MSBB04



Model No.	A		B	
	in.	mm	in.	mm
V8MSBB01	24-3/4	629	19-1/4	489
V8MSBB02	24-3/4	629	19-1/4	489
V8MSBB03	37-3/4	959	32-1/4	819
V8MSBB04	37-3/4	959	32-1/4	819

Model No.	Pipe Diameter - in.				
	Connections to Outdoor Unit			Connections to Indoor Unit	
	Low Pressure Gas Pipe	High Pressure Gas Pipe	Liquid Pipe	¹ Liquid Pipe	² Gas Pipe
V8MSBB01	7/8	3/4	1/2	3/8	5/8
V8MSBB02	7/8	3/4	1/2	3/8	5/8
V8MSBB03	1-1/8	7/8	5/8	3/8	5/8
V8MSBB04	1-1/8	7/8	5/8	3/8	5/8

¹ 3/8 x 1/4 in. adaptor furnished for liquid pipe connection to outdoor unit (if required).
² 5/8 x 1/2 in. adaptor furnished for gas pipe connection to outdoor unit (if required).

Installation Clearances - inches (mm)

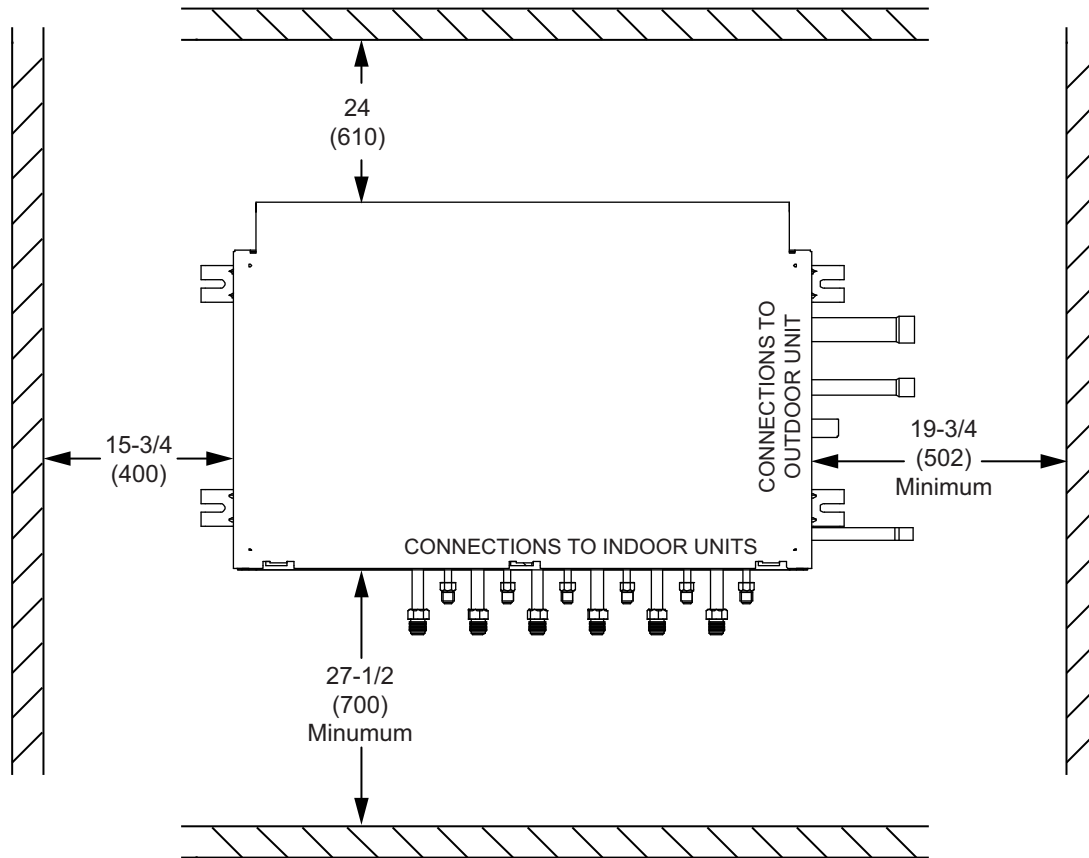
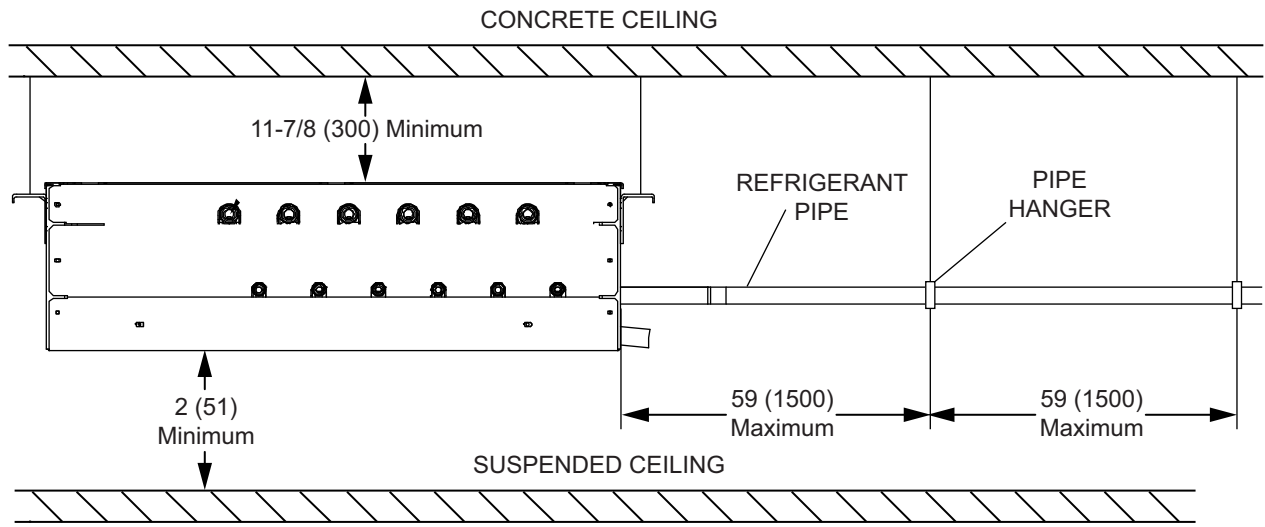


Table 1. Mode Selection Boxes

Model No.	Catalog No.	Application
V8MSBB01*	12A53	1 group, 1 indoor unit maximum
V8MSBB02	12A54	2 groups, 4 indoor units maximum per group, 8 indoor units maximum
V8MSBB03	12A55	4 groups, 4 indoor units maximum per group, 16 indoor units maximum
V8MSBB04	12A56	6 groups, 4 indoor units maximum per group, 24 indoor units maximum

*Use with VHIA072 and VHIA096 only.

Mode Selection Box Location

Consider the following items when positioning the mode selection box for installation:

- If the mode selection box is installed outside, provide a weatherproof enclosure for the box.
- Sounds are made by refrigerant as solenoid valves open and close inside the mode selection box. Do not install the mode selection box where these sounds may disturb building occupants.
- The mode selection box must be leveled after installation. See figure 2.
- Provide sufficient clearance around mode selection box to allow 3 feet of straight pipe before the first elbow or branch pipe is installed.

Mode Selection Box Installation

IMPORTANT!

The Clean Air Act of 1990 bans the intentional venting of refrigerant (CFCs, HCFCs and HFCs) as of July 1, 1992. Approved methods of recovery, recycling or reclaiming must be followed. Fines and/or incarceration may be levied for noncompliance. These units must be installed as a part of a matched system as specified in the Product Specifications (EHB) bulletin.

Use the provided suspension brackets to suspend the mode selection box(es) between the outdoor and indoor units. The mode selection box location must be able to accommodate the size of the box, as well as the required 3 feet of straight pipe length between the box and the first elbow or branch pipe. Refer to the dimension drawing above and figure 4.

1. Make sure that the structural ceiling is able to support the weight of the mode selection box(es). It may be necessary to add extra support. If the structural ceiling is constructed of concrete, install anchors to accept four 3/8" threaded rods to suspend the mode selection box. If the structural ceiling includes wooden joists, use angle iron or a Unistrut channel fixed securely in place to accept the 3/8" threaded rods. See figure 1.
2. Slide one nut and one washer onto each threaded rod. Use electrical tape to keep the washer from falling off. Position the nuts slightly above the final resting place of the four suspension brackets.
3. Raise the mode selection box and insert the threaded rods into the suspension brackets. Slide a washer and then a nut onto each rod below each suspension bracket. Use the leveling nut (beneath suspension bracket) to adjust the mode selection box. Remove the electrical tape holding the upper washers and nuts in place and tighten each of the four nuts above the brackets down onto the brackets. The mode selection box must be level. See figure 2.

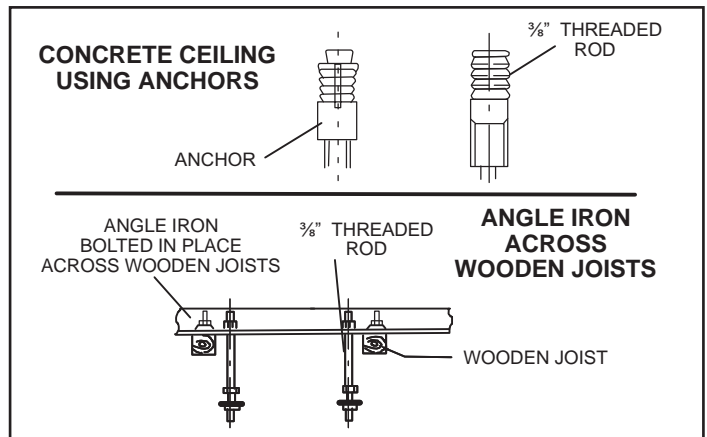


Figure 1. Suspending Methods

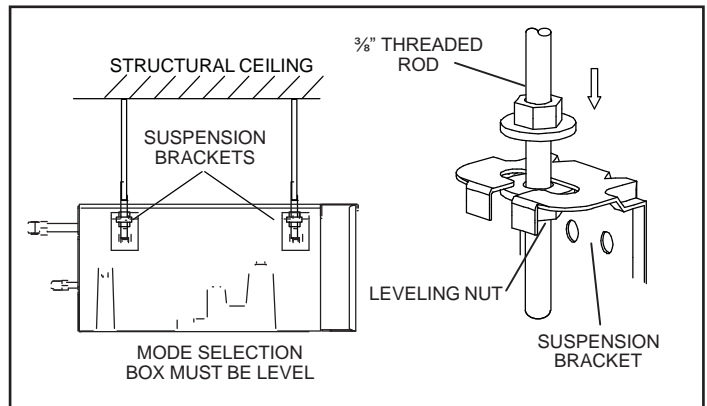


Figure 2. Suspension Hardware

4. Continue with refrigerant piping connections.

Refrigerant Piping Connections

⚠WARNING

The MS Box is factory fitted with Black plastic caps over the flare connection points. These must be replaced with the supplied brass flare nuts. Under no circumstances can the plastic caps be used as a permanent seal even when not all ports are used. A suitable blanking device must be fitted on all unused ports.

⚠WARNING

Use only R410A refrigerant to charge this system. Use of other refrigerant or gas will damage the equipment. Do not allow air or other contaminants to enter system during installation of refrigerant piping. Contaminants will result in lower system capacity and abnormally high operating pressures and may result in system failure or explosion.

Insulate all refrigerant piping.

Refrigerant pipes may be very hot during unit operation. Do not allow contact between wiring and bare copper pipes.

After refrigerant piping connections have been completed, check the system for leaks per commissioning instructions.

IMPORTANT!

Do not remove seals from refrigerant piping stubs until connections are being made. This will prevent dust or water from getting into the refrigerant piping before it is connected.

- Field piping connections for the outdoor unit gas and liquid pipes are provided on the right side of the mode selection box. The four available mode selection boxes can accommodate varying numbers of indoor units. See table 1 and figure 4. Outgoing gas and liquid connections for the indoor units are on the front of the box.
- Refrigerant piping connections to outdoor unit(s) are made with field sweat connections. Connections to the indoor units are made using the provided brass flare nuts. Adaptors are provided with the mode selection box to accommodate use of different pipe sizes. Refer to the VRA heat recovery unit installation instructions and product specifications (EHB) bulletin for more detailed information on refrigerant piping connections.
- Field refrigerant piping for the VRA heat recovery units includes a variety of branch pipe kits, mode selection boxes and field-provided piping. Outdoor unit branch pipe kits are used to join multiple outdoor units to reach the required system capacity. Mode selection box branch pipe kits are available to evenly split system capacity among the varying numbers of mode selection boxes. Indoor unit branch pipe kits split the system capacity among up to four indoor units per connection from each mode switching box. See mode selection box branch pipe kits in figure 5 and a typical VRA system piping schematic in figure 6.
- Allow a minimum of 3 feet between the mode selection box and the first elbow or branch pipe in refrigerant piping. See figure 3.
- After refrigerant piping has been installed and checked for leaks, apply the provided insulation sleeves over all connections.

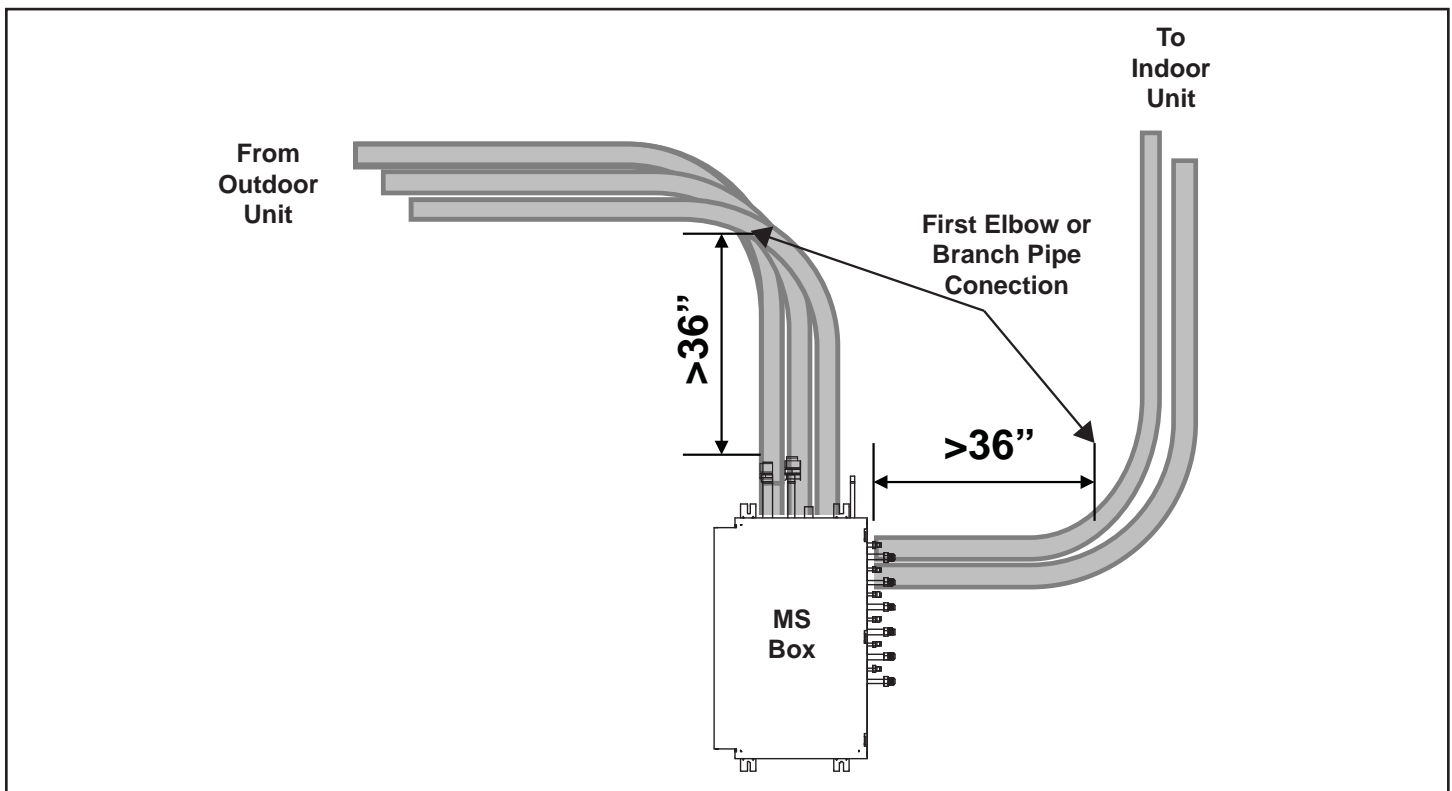


Figure 3. MS Box Piping

Gas pipe O.D. (5/8" O.D.¹)

Liquid pipe O.D. (3/8" O.D.²)



V8MSBB01*
V8MSBB02

Low-pressure gas pipe (7/8" O.D.)

High-pressure gas pipe (3/4" O.D.)

Drain connection (1" O.D.³)

Liquid pipe O.D. (1/2" O.D.)

* Use with VHIA072 and 096 only. Connective branch pipe kit included with indoor unit.

Gas pipe O.D. (5/8" O.D.¹)

Liquid pipe O.D. (3/8" O.D.²)



V8MSBB03

Low-pressure gas pipe (1-1/8" O.D.)

High-pressure gas pipe (7/8" O.D.)

Drain connection (1" O.D.³)

Liquid pipe (5/8" O.D.)

Gas pipe O.D. (5/8" O.D.¹)

Liquid pipe O.D. (3/8" O.D.²)



V8MSBB04

Low-pressure gas pipe (1-1/8" O.D.)

High-pressure gas pipe (7/8" O.D.)

Liquid pipe (5/8" O.D.)

Drain connection (1" O.D.³)

¹ 3/8 x 1/4 in. adaptor furnished for liquid pipe connection to indoor unit (if required).

² 5/8 x 1/2 in. adaptor furnished for gas pipe connection to indoor unit (if required).

³ 1 inch x 3/4 in. condensate drain adaptor furnished for field installation (if required).

Figure 4. MS Box Details

	Low-Pressure Gas Side Joints - Inch	High-Pressure Gas Side Joints - Inch	Liquid Side Joints - Inch	Adapter Pipe - Inch	Insulation Material (furnished)
V8MSBP01				 	
V8MSBP02					
V8MSBP03				 (Liquid side used)	
V8MSBP04					
V8MSBP05				 (Liquid side used)	

Locate first branch pipe kit of system centrally to ensure correct distribution of refrigerant.

Figure 5. Mode Selection Box Branch Pipe Kits

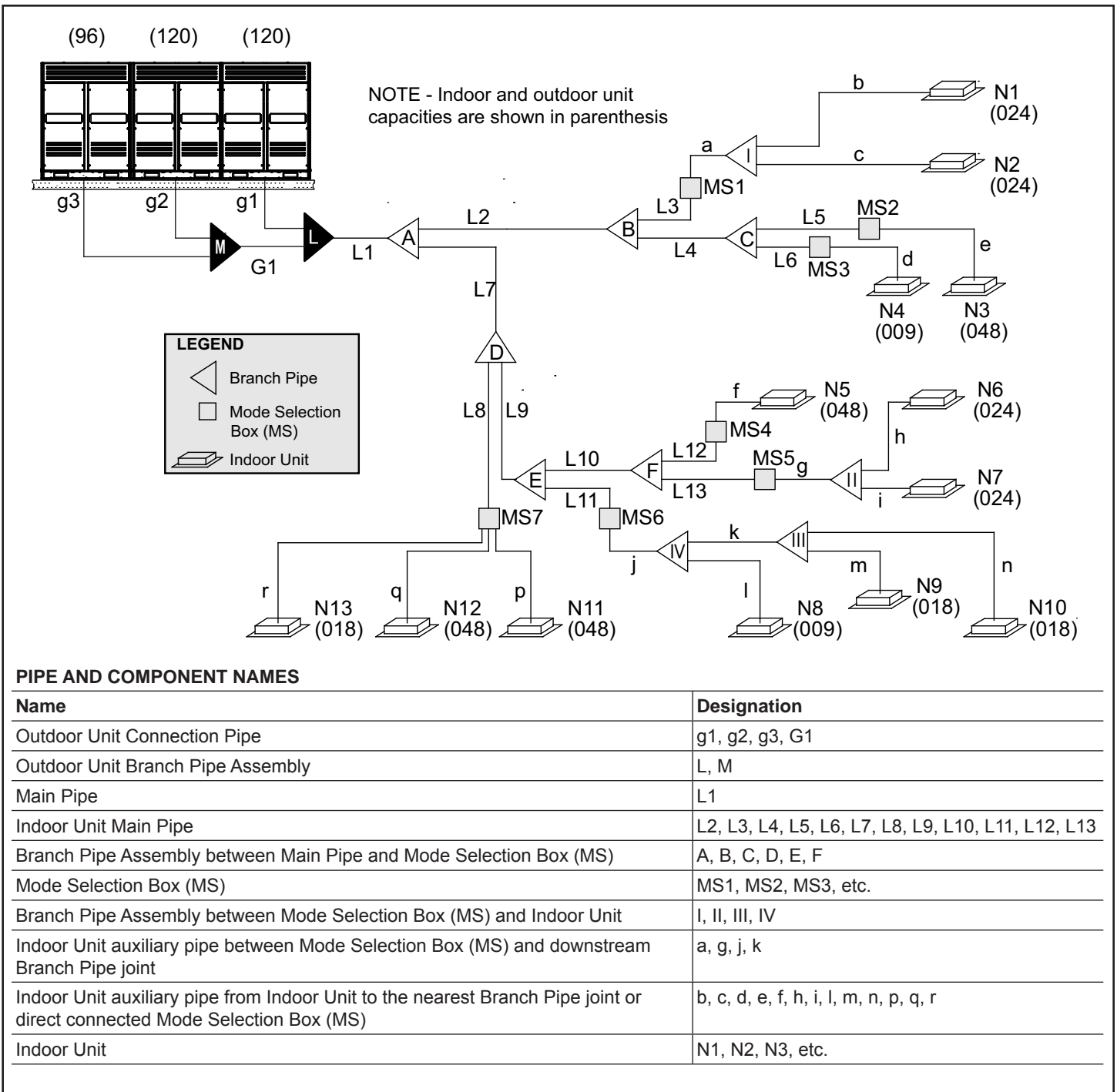


Figure 6. Typical Piping Diagram

Condensate Drain Connection

A 1" condensate drain connection is provided on the mode selection box. Route condensate piping to a suitable drain per best practices, taking care to slope the drain properly to ensure drainage. A 1" to 3/4" adaptor is provided if 3/4" condensate pipe is preferred.

Mode Selection Box Wiring Connections

In the U.S.A., wiring must conform with current local codes and the current National Electric Code (NEC). In Canada, wiring must conform with current local codes and the current Canadian Electrical Code (CEC).

Refer to unit nameplate for minimum circuit ampacity and maximum overcurrent protection size.

NOTE - Three-conductor shielded cable must be used for the communication wiring. This is necessary to ensure proper system communication and operation.

Remove the cover panel from the mode selection box and locate the terminal strip.

Connect properly sized power wiring and three-conductor shielded cable as shown in figures 7, 8 and 9.

▲ WARNING

Isolate the power supply before accessing unit electrical terminals.
 Install unit so that unit disconnect is accessible.
 Follow all local and national codes, as well as this installation instruction, during installation. Do NOT overload electrical circuit, as this may lead to failure and possible fire.
 Use specified wiring and cable to make electrical connections. Clamp cables securely and make sure that connections are tight to avoid strain on wiring.
 Insecure wiring connections may result in equipment failure and risk of fire.
 Wiring must be installed so that all cover plates can be securely closed.

▲ CAUTION

This unit must be properly grounded and protected by a circuit breaker. The ground wire for the unit must not be connected to a gas or water pipe, a lightning conductor or a telephone ground wire.
 Do not connect power wires to the outdoor unit until all other wiring and piping connections have been completed.

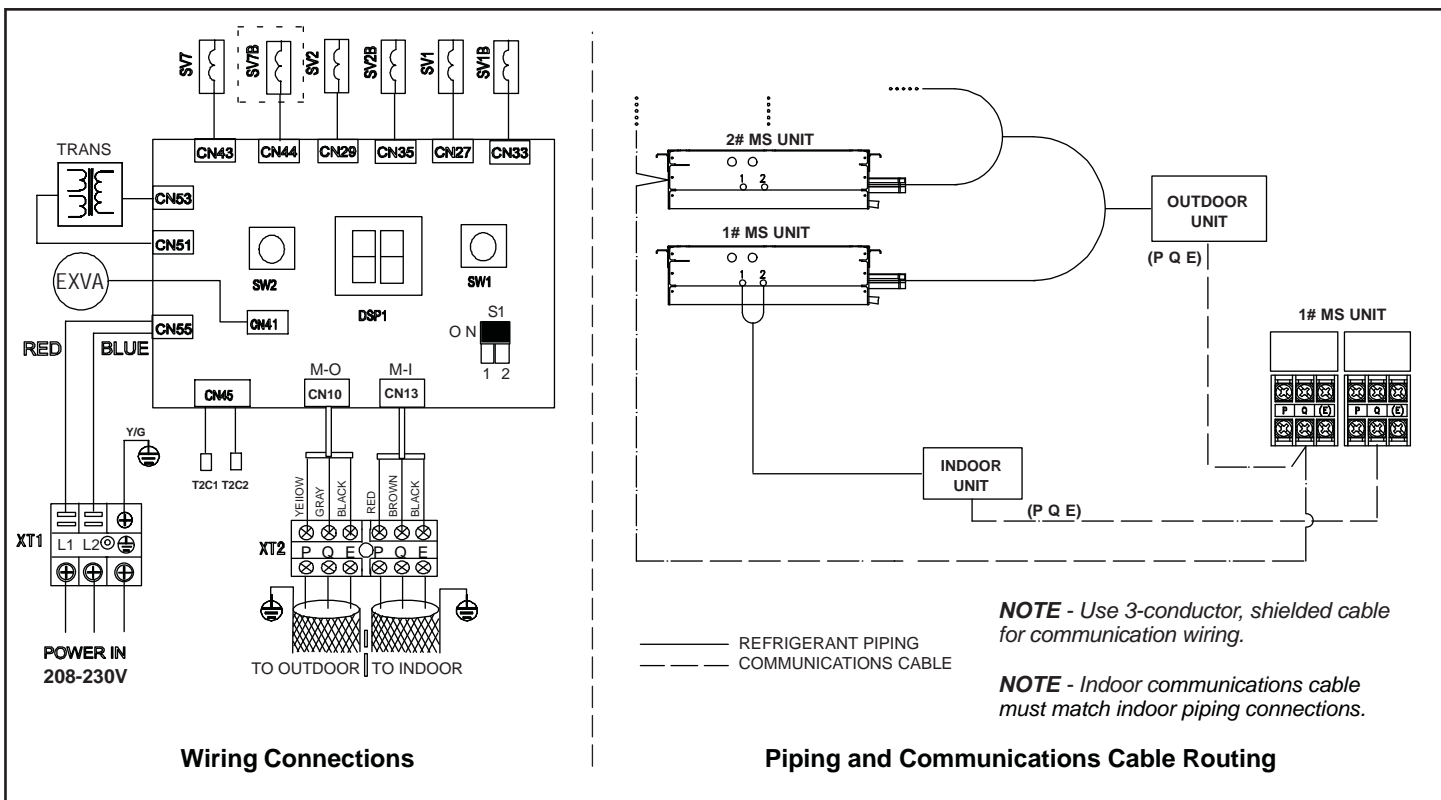


Figure 7. V8MSBB01 Connections
 VHIA072 and VHIA096 Only

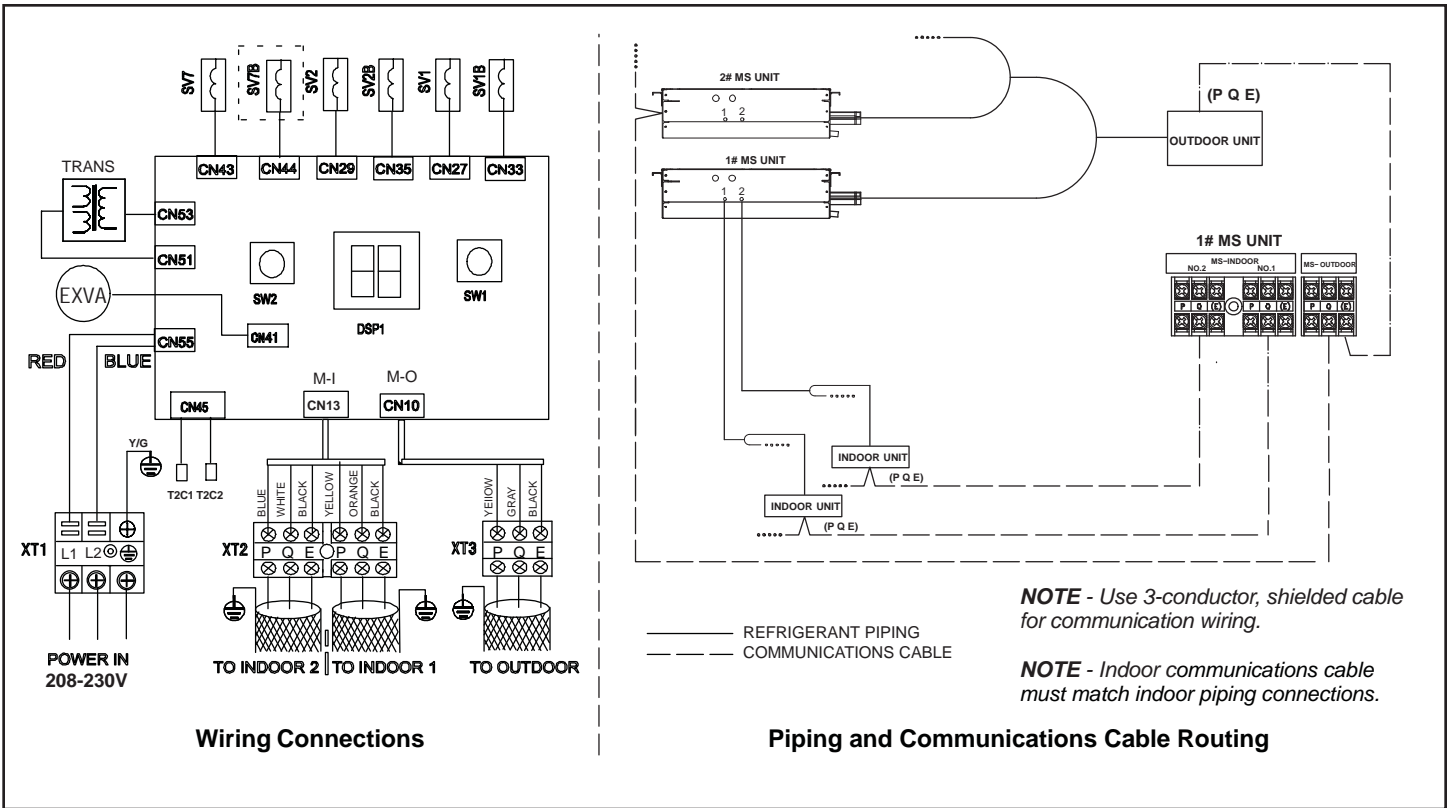
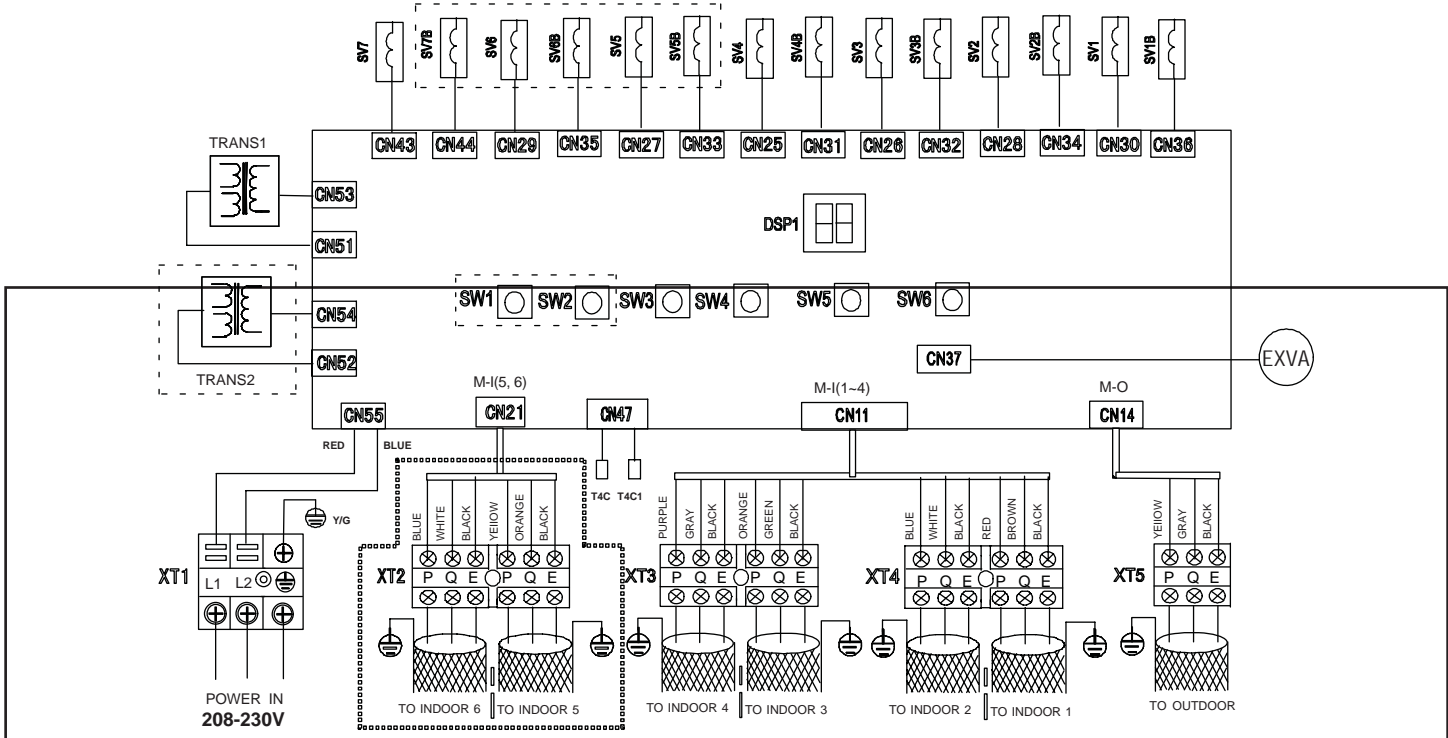


Figure 8. V8MSBB02 Connections

Wiring Connections



Piping and Communications Cable Routing

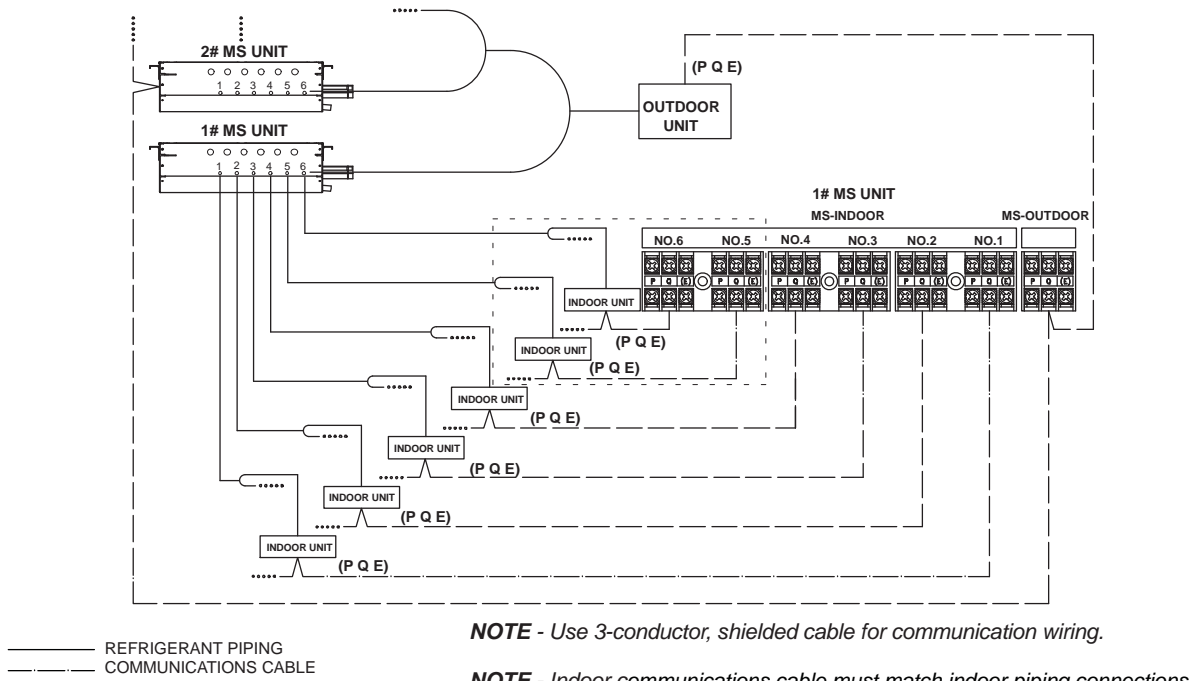


Figure 8. V8MSBB03 and V8MSBB04 Connections

Network Address and Commissioning

After the system has been installed, use the system remote control to assign a separate address for each of the indoor units as part of the commissioning procedure.

Mode selection boxes do not require an address; however, each indoor unit connected to the mode selection box must be assigned a separate address.

IMPORTANT!

OPERATION NOTE — All indoor units within a group (units connected to a single piping connector on the mode selection box) must operate in the same mode at all times.