

INSTALLATION INSTRUCTION



V8MSBB04 Shown

THIS MANUAL MUST BE LEFT WITH THE OWNER FOR FUTURE REFERENCE

These instructions are intended as a general guide and do not supersede local codes in any way. Consult authorities having jurisdiction before installation.

⚠ WARNING

Improper installation, adjustment, alteration, service or maintenance can cause property damage, personal injury or loss of life.

Installation and service must be performed by a licensed professional HVAC installer, service agency or the gas supplier.

Failure to follow safety warnings and these instructions exactly could result in property damage, dangerous operation, serious injury, or death.

Any additions, changes, or conversions required in order for the appliance to satisfactorily meet the application needs must be made by a licensed professional HVAC installer (or equivalent) using factory-specified parts.

Do not use this system if any part has been under water. A flood-damaged appliance is extremely dangerous. Immediately call a licensed professional HVAC service technician (or equivalent) to inspect the system and to replace all controls and electrical parts that have been wet, or to replace the system, if deemed necessary.

The State of California has determined that this product may contain or produce a chemical or chemicals, in very low doses, which may cause serious illness or death. It may also cause cancer, birth defects, or reproductive harm.

⚠ CAUTION

As with any mechanical equipment, personal injury can result from contact with sharp sheet metal edges. Be careful when you handle this equipment.

Mode Selection Box

VRF SYSTEMS
OUTDOOR UNIT ACCESSORIES
507453-01
11/2014

TP Technical
Publications

Shipping and Packing List

Check the components for shipping damage. If you find any damage, immediately contact the last carrier.

Package 1 of 1 contains the following:

- 1 - Assembled mode selection box
- 3 - Insulation sleeves for piping from outdoor unit
- 1 - 1" X 3/4" condensate drain adaptor
- 1 to 6* - 3/8" to 1/4" adaptors
- 1 to 6* - 5/8" to 1/2" adaptors
- 1 to 6* - 3/8" brass flare nuts
- 1 to 6* - Gas pipe insulation sleeve(s)
- 1 to 6* - Liquid pipe insulation sleeves

*Quantity of these items depends on number of refrigerant piping connection pairs.

General

Mode selection boxes V8MSBB01 (12A53), V8MSBB02 (12A54), V8MSBB03 (12A55) and V8MSBB04 (12A56) are used with VRA heat recovery outdoor units to allow simultaneous heating and cooling in multiple zones. Mode selection boxes include solenoid valves which control refrigerant flow through the individual indoor units so that unit operation (heating or cooling) matches the comfort requirements being sent by the corresponding thermostat. Mode selection boxes are sized to accommodate up to 24 indoor units. See table 1.

Mode selection boxes are equipped with flared fittings for indoor unit refrigerant piping connections and sweat fittings for outdoor unit connections.

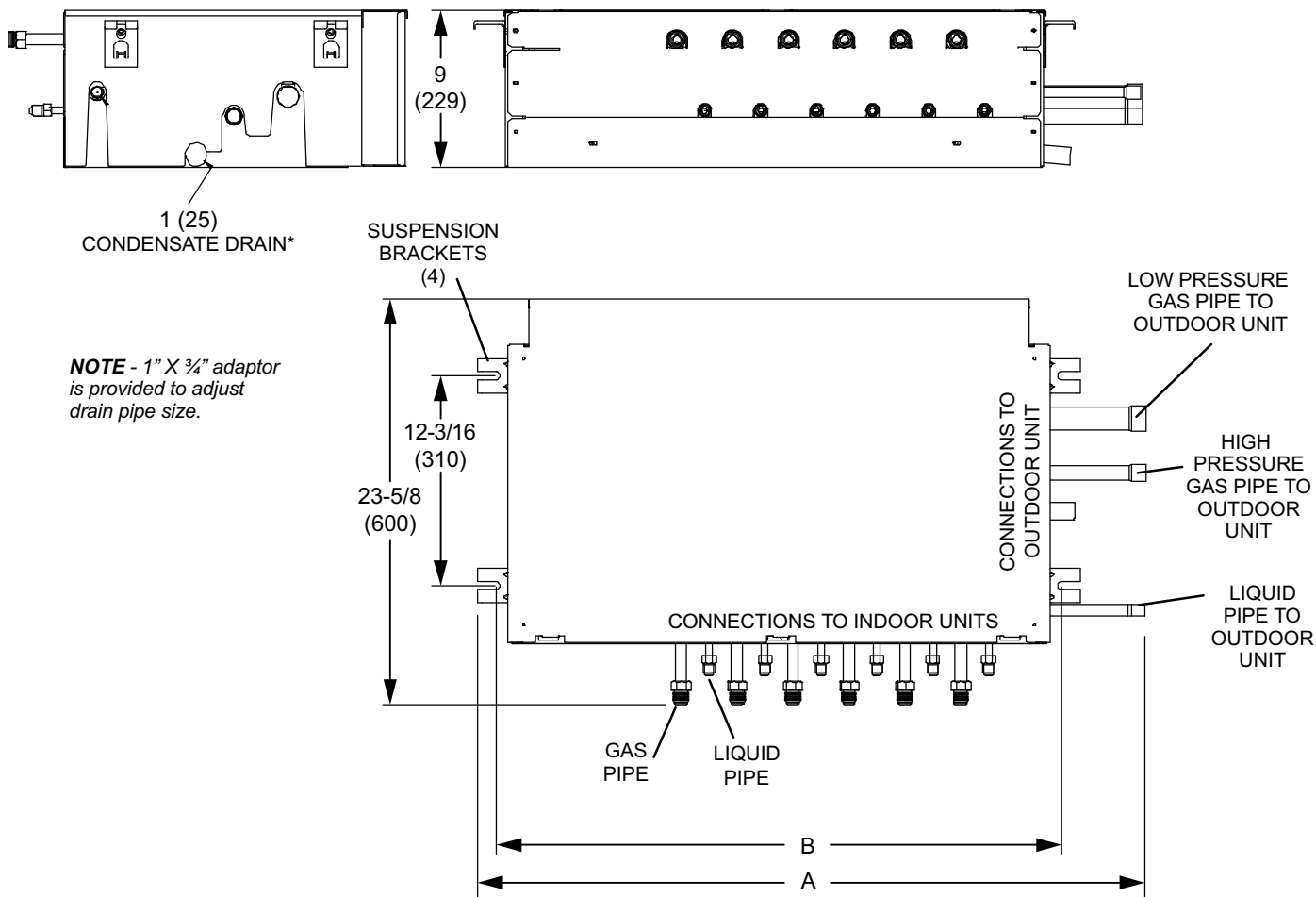
Refer to the Product Specification bulletin (EHB) for the proper use of mode selection boxes with matching VRA heat recovery units, indoor units, branch pipes, line sets and controls.

Table 1. Mode Selection Boxes

Model No.	Catalog No.	Application
V8MSBB01	12A53	1 group, 1 indoor unit maximum
V8MSBB02	12A54	2 groups, 4 indoor units maximum per group, 8 indoor units maximum
V8MSBB03	12A55	4 groups, 4 indoor units maximum per group, 16 indoor units maximum
V8MSBB04	12A56	6 groups, 4 indoor units maximum per group, 24 indoor units maximum

Unit Dimensions - inches (mm)

V8MSBB01, V8MSBB02, V8MSBB03, V8MSBB04



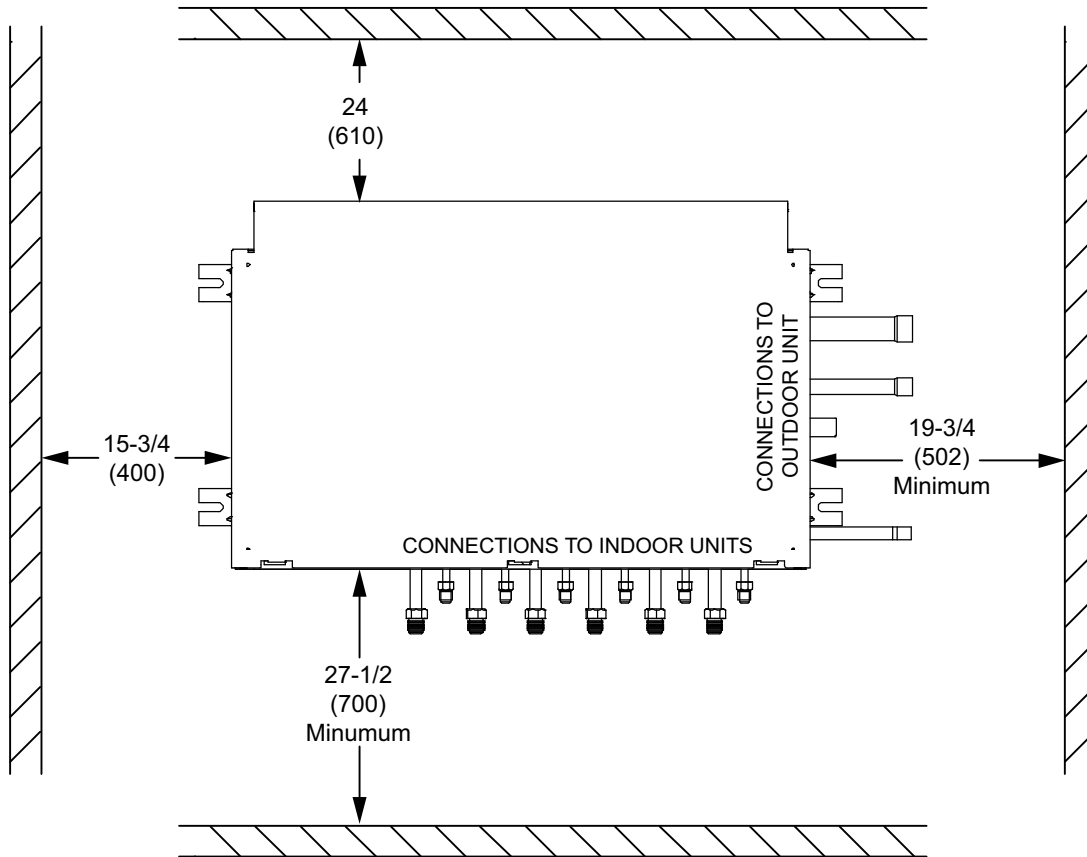
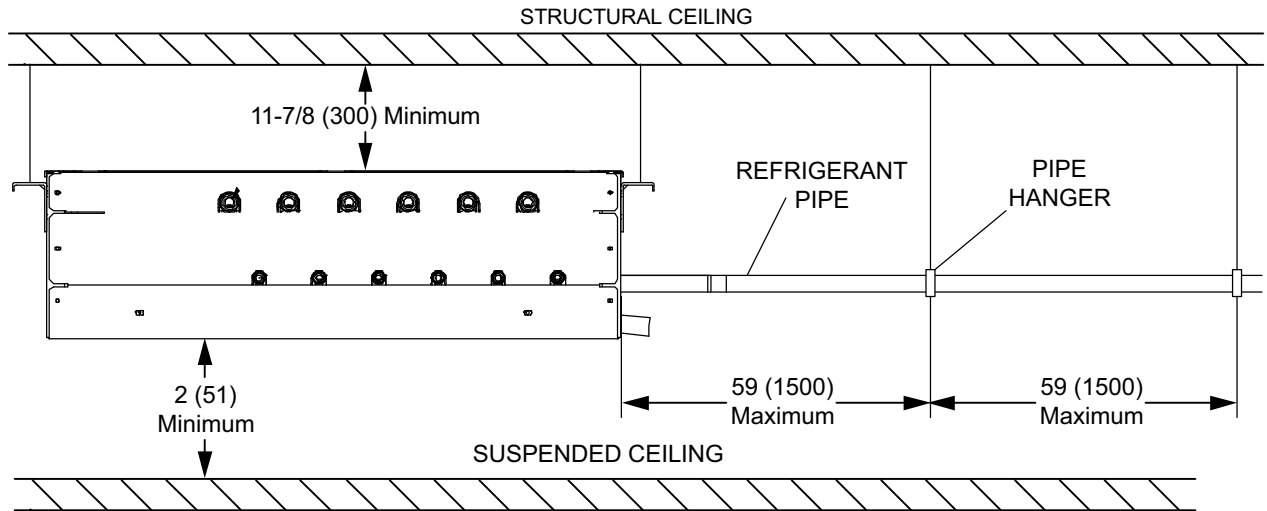
Model No.	A		B	
	in.	mm	in.	mm
V8MSBB01	24-3/4	629	19-1/4	489
V8MSBB02	24-3/4	629	19-1/4	489
V8MSBB03	37-3/4	959	32-1/4	819
V8MSBB04	37-3/4	959	32-1/4	819

Model No.	Pipe Diameter - in.				
	Connections to Outdoor Unit			Connections to Indoor Unit	
	Low Pressure Gas Pipe	High Pressure Gas Pipe	Liquid Pipe	¹ Liquid Pipe	² Gas Pipe
V8MSBB01	7/8	3/4	1/2	3/8	5/8
V8MSBB02	7/8	3/4	1/2	3/8	5/8
V8MSBB03	1-1/8	7/8	5/8	3/8	5/8
V8MSBB04	1-1/8	7/8	5/8	3/8	5/8

¹ 3/8 X 1/4 inch adaptor furnished for liquid pipe connection to outdoor unit (if required).

² 5/8 X 1/2 inch adaptor furnished for gas pipe connection to outdoor unit (if required).

Installation Clearances - inches (mm)



Mode Selection Box Location

Consider the following items when positioning the mode selection box for installation:

- If the mode selection box is installed outside, provide a weatherproof enclosure for the box.
- Sounds are made by refrigerant as solenoid valves open and close inside the mode selection box. Do not install the mode selection box where these sounds may disturb building occupants.
- The mode selection box must be leveled after installation. See figure 2.
- Provide sufficient clearance around mode selection box to allow 3 feet of straight pipe before the first elbow or branch pipe is installed.

Mode Selection Box Installation

IMPORTANT !

The Clean Air Act of 1990 bans the intentional venting of refrigerant (CFCs, HCFCs and HFCs) as of July 1, 1992. Approved methods of recovery, recycling or reclaiming must be followed. Fines and/or incarceration may be levied for noncompliance.

These units must be installed as part of a matched system as specified in the Product Specifications (EHB) bulletin.

Use the provided suspension brackets to suspend the mode selection box(es) between the outdoor and indoor units. The mode selection box location must be able to accommodate the size of the box, as well as the required 3 feet of straight pipe length between the box and the first elbow or branch pipe. Refer to the dimension drawing above and figure 4.

- 1 - **Make sure that the structural ceiling is able to support the weight of the mode selection box(es). It may be necessary to add extra support.** If the structural ceiling is constructed of concrete, install anchors to accept four $\frac{3}{8}$ " threaded rods to suspend the mode selection box. If the structural ceiling includes wooden joists, use angle iron or a Unistrut channel fixed securely in place to accept the $\frac{3}{8}$ " threaded rods. See figure 1.
- 2 - Slide one nut and one washer onto each threaded rod. Use electrical tape to keep the washer from falling off. Position the nuts slightly above the final resting place of the four suspension brackets.

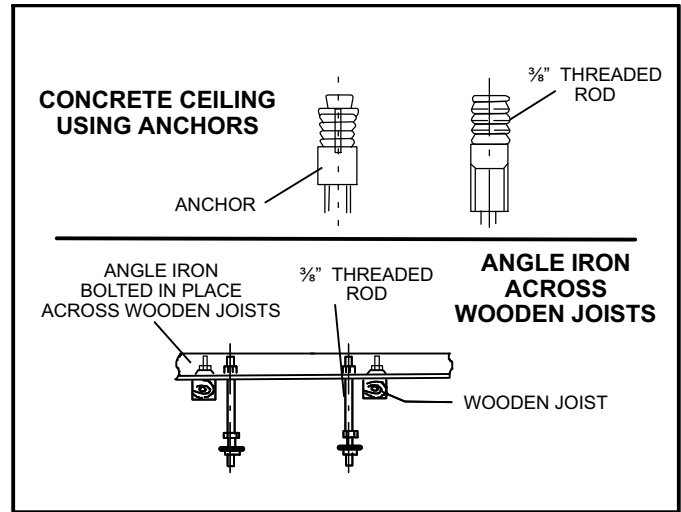


Figure 1. Suspending Methods

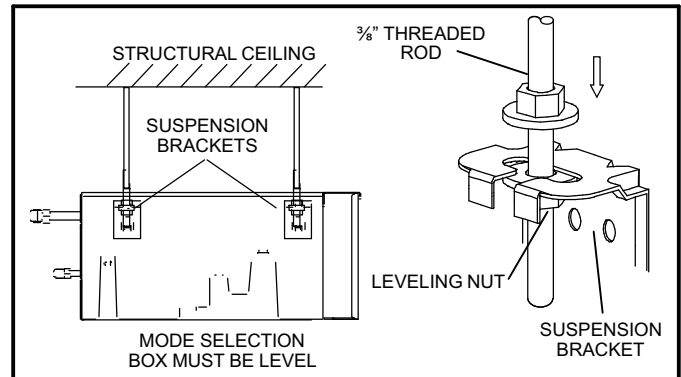


Figure 2. Suspension Hardware

- 3 - Raise the mode selection box and insert the threaded rods into the suspension brackets. Slide a washer and then a nut onto each rod below each suspension bracket. Use the leveling nut (beneath suspension bracket) to adjust the mode selection box. Remove the electrical tape holding the upper washers and nuts in place and tighten each of the four nuts above the brackets down onto the brackets. **The mode selection box must be level.** See figure 2.
- 4 - Continue with refrigerant piping connections.

Refrigerant Piping Connections

IMPORTANT !

Do not remove seals from refrigerant piping stubs until connections are being made. This will prevent dust or water from getting into the refrigerant piping before it is connected.

⚠️ WARNING

Use only R410A refrigerant to charge this system. Use of other refrigerant or gas will damage the equipment.

Do not allow air or other contaminants to enter system during installation of refrigerant piping. Contaminants will result in lower system capacity and abnormally high operating pressures and may result in system failure or explosion.

Insulate all refrigerant piping.

After refrigerant piping connections have been completed, check the system for leaks per commissioning instructions.

Field piping connections for the outdoor unit gas and liquid pipes are provided on the right side of the mode selection box. The four available mode selection boxes can accommodate varying numbers of indoor units. See table 1 and figure 4. Outgoing gas and liquid connections for the indoor units are on the front of the box.

Refrigerant piping connections to outdoor unit(s) are made with field sweat connections. Connections to the indoor units are made using the provided brass flare nuts.

Adaptors are provided with the mode selection box to accommodate use of different pipe sizes. Refer to the VRA heat recovery unit installation instructions and product specifications (EHB) bulletin for more detailed information on refrigerant piping connections.

Field refrigerant piping for the VRA heat recovery units includes a variety of branch pipe kits, mode selection boxes and field-provided piping. Outdoor unit branch pipe kits are used to join multiple outdoor units to reach the required system capacity. Mode selection box branch pipe kits are available to evenly split system capacity among the varying numbers of mode selection boxes. Indoor unit branch pipe kits split the system capacity among up to four indoor units per connection from each mode switching box. See mode selection box branch pipe kits in figure 5 and a typical VRA system piping schematic in figure 6.

Allow a minimum of 3 feet between the mode selection box and the first elbow or branch pipe in refrigerant piping. See figure 3.

After refrigerant piping has been installed and checked for leaks, apply the provided insulation sleeves over all connections.

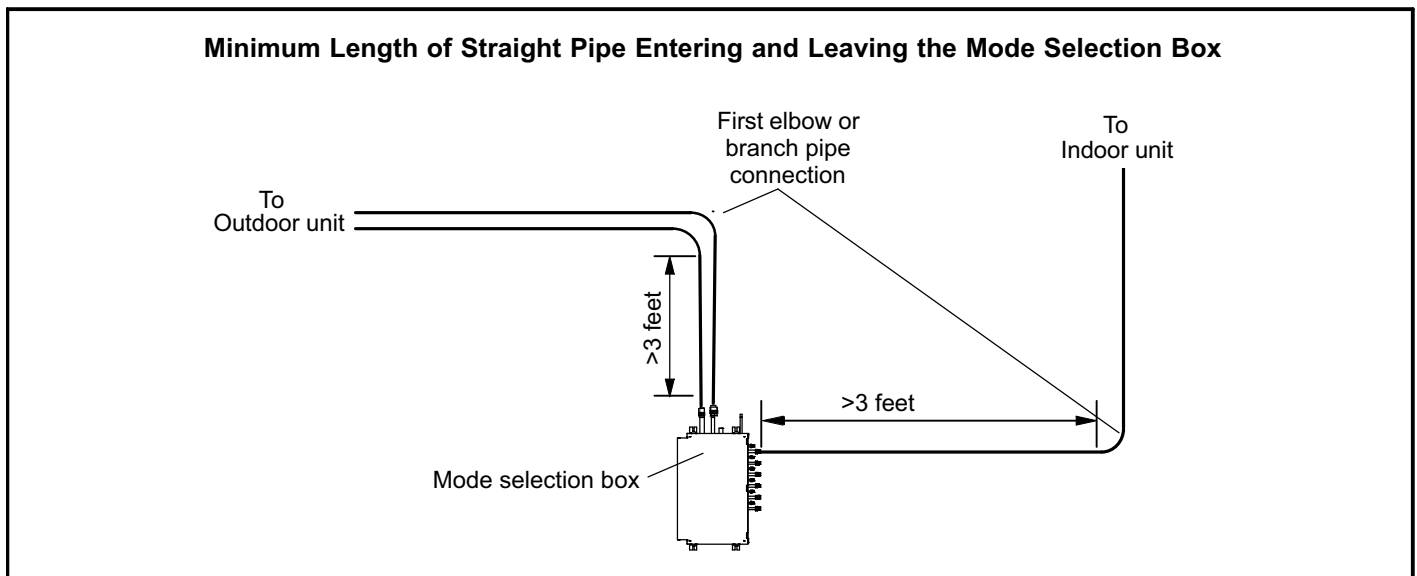
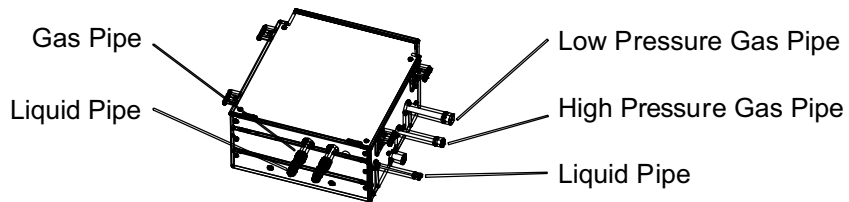


Figure 3

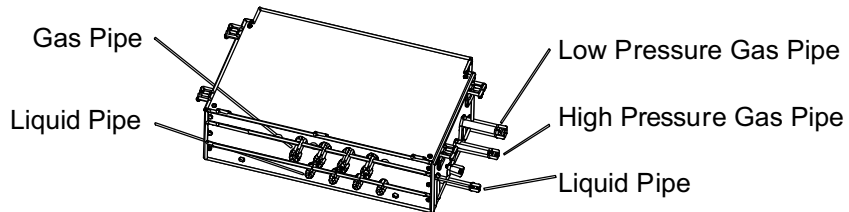
MODE SELECTION BOXES USED WITH VRA HEAT RECOVERY OUTDOOR UNITS

V8MSBB01 — Maximum No. of Groups (1) x Maximum No. of Indoor Units per Group (1) = 1

V8MSBB02 — Maximum No. of Groups (2) x Maximum No. of Indoor Units per Group (4) = 8



V8MSBB03 — Maximum No. of Groups (4) x Maximum No. of Indoor Units per Group (4) = 16



V8MSBB04 — Maximum No. of Groups (6) x Maximum No. Indoor Units per Group (4) = 24

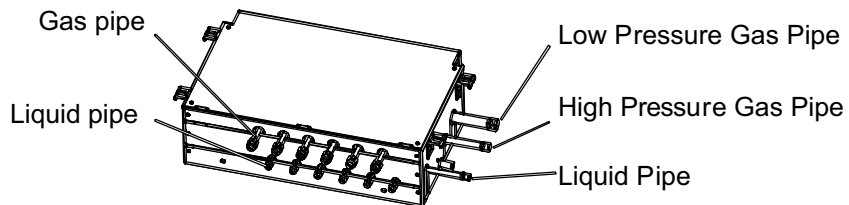


Figure 4

Name	Low-Pressure Gas Side Joints - Inch	High-Pressure Gas Side Joints - Inch	Liquid Side Joints - Inch	Adapter Pipe - Inch	Insulation Material (furnished)
V8MSBP01				<p>(Low-pressure side used) (High-pressure side used) (Liquid side used)</p>	<p>(3 sets)</p>
V8MSBP02				<p>(Liquid side used)</p>	<p>(3 sets)</p>
V8MSBP03				<p>(Liquid side used)</p>	<p>(3 sets)</p>
V8MSBP04				<p>(Liquid side used)</p>	<p>(3 sets)</p>
V8MSBP05				<p>(Liquid side used)</p>	<p>(3 sets)</p>

Figure 5. Mode Selection Box Branch Pipe Kits

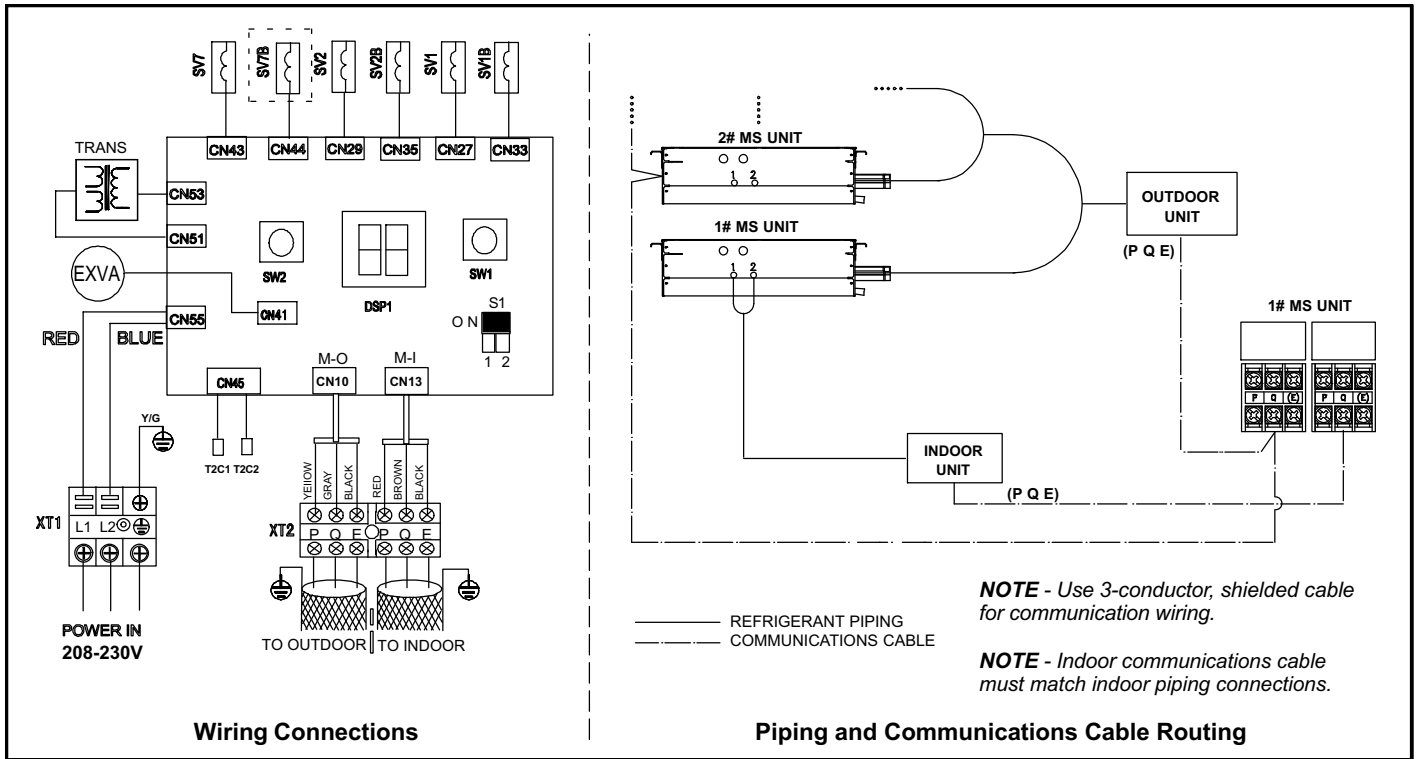


Figure 7. V8MSBB01 Connections

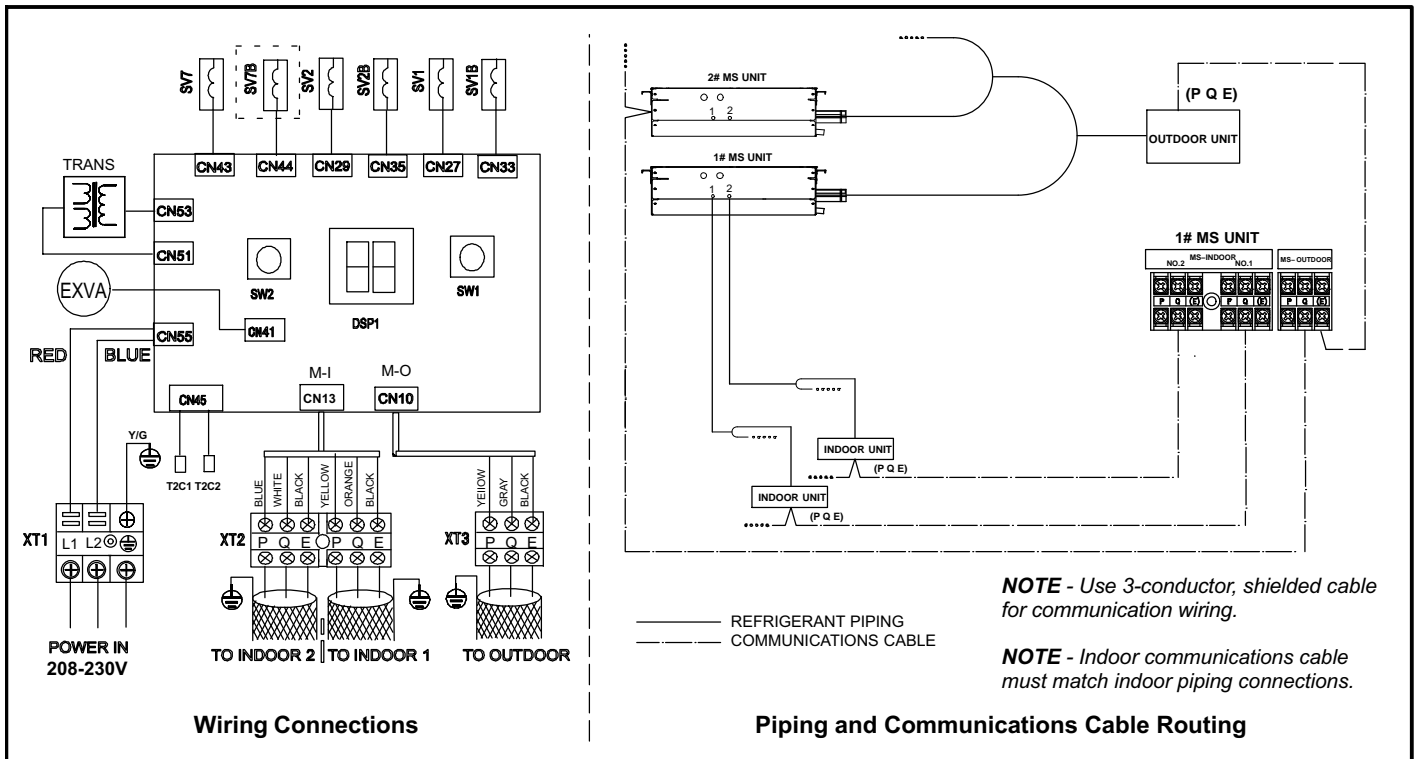


Figure 8. V8MSBB02 Connections

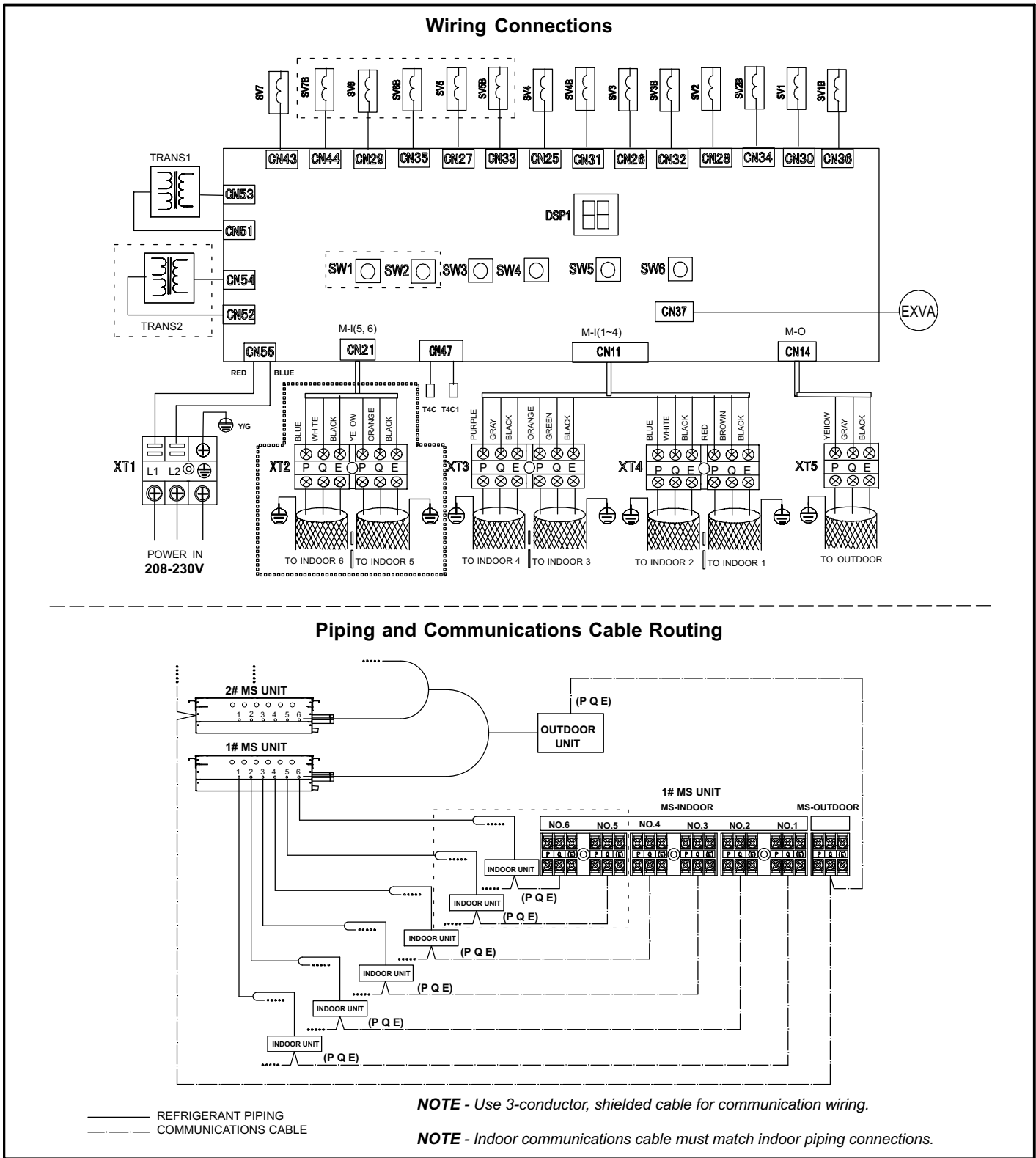


Figure 9. V8MSBB03 and V8MSBB04 Connections

Network Address and Commissioning

After the system has been installed, use the system remote control to assign a separate address for each of the indoor units as part of the commissioning procedure. **Mode selection boxes do not require an address;** however, each indoor unit connected to the mode selection box must be assigned a separate address.

Indoor units cannot share a single address.

IMPORTANT !

OPERATION NOTE — All indoor units within a group (units connected to a single piping connector on the mode selection box) must operate in the same mode at all times.