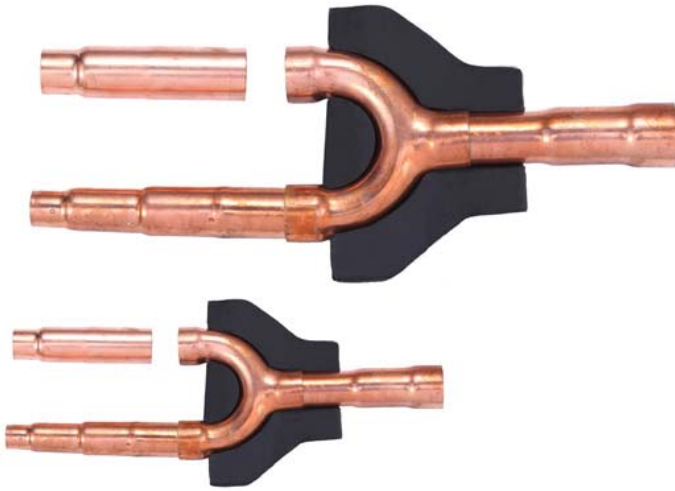




©2014 Lennox Industries Inc.  
Dallas, Texas, USA



### Shipping and Packing List

Package 1 of 1 contains: kit contents vary. See table on page 3 for each kit's contents.

### Application

Use to connect Mode Selection (MS) Box piping to Indoor Units (VRA Heat Recovery systems) or to connect Outdoor Unit piping to Indoor Units (VPA Heat Pump systems).

Model No.	Catalog No.
V8IDBP01	12A45
V8IDBP02	12A46
V8IDBP03	12A47
V8IDBP04	12A48
V8IDBP05	12A49

These instructions are intended as a general guide and do not supersede local codes in any way. Consult authorities having jurisdiction before installation.

### Installation

Indoor unit branch kits can be installed in horizontal and vertical piping runs as long as the following parameters are observed.

# INSTALLATION INSTRUCTIONS

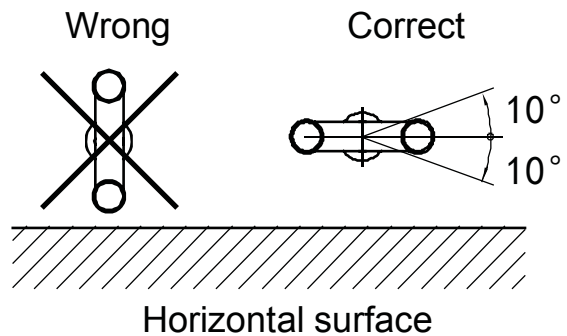
## Indoor Unit Branch Pipe Kit (VRA Heat Recovery and VPA Heat Pump)

VRF SYSTEMS -- BRANCH PIPE KITS  
507455-02  
02/2015

**THIS MANUAL MUST BE LEFT WITH THE OWNER FOR FUTURE REFERENCE**

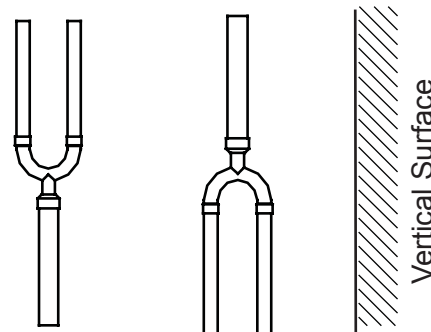
### Horizontal Runs

When installed horizontally, these branch pipe kits MUST be installed level +/- 10°.



### Vertical Runs

When installed vertically, mode selection branch kits MUST be installed straight up or straight down.



Indoor unit branch kits have graduated piping diameters. The piping can be cut to suit the installation needs. Use a pipe cutter designed for refrigeration tubing. Discard unused pipe.

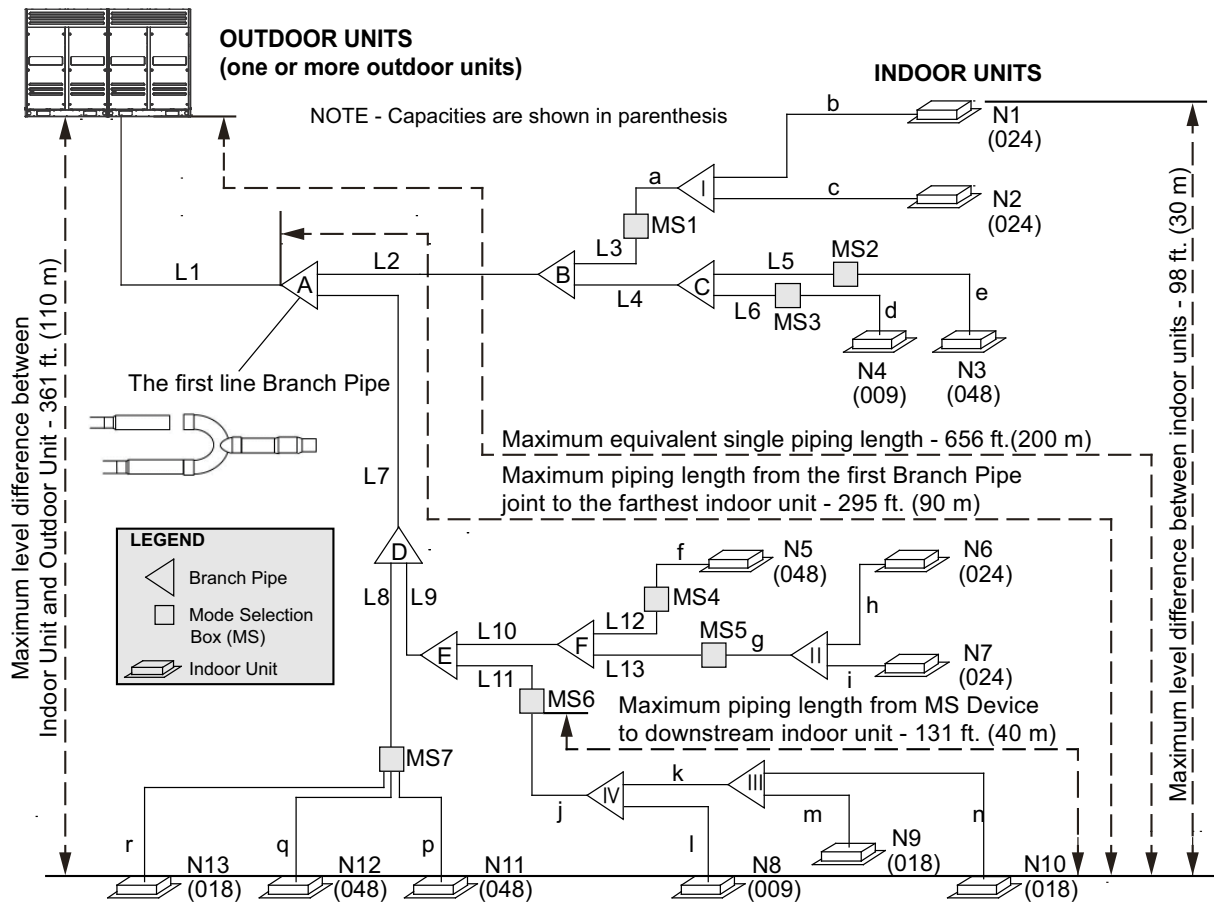
Refer to the Lennox VRF Selection Software (LVSS) pipe sizing diagram to obtain the correct inlet and outlet sizes for the installation. Keep all components sealed until brazing.

# Branch Pipe Kits

Name	Gas Side Joints (inch)	Liquid Side Joints (inch)	Insulation Material (furnished)
V8IDBP01			<p>(2 sets)</p>
V8IDBP02			<p>(2 sets)</p>
V8IDBP03			<p>(2 sets)</p>
V8IDBP04			<p>(2 sets)</p>
V8IDBP05			<p>(2 sets)</p>

# Refrigerant Piping Details VRA Heat Recovery

## Maximum Permitted Refrigerant Pipe Length and Maximum Height Difference



Piping Length		Permitted value	Piping
Piping Length	Total piping length	<sup>1</sup> 3280 ft. (1000 m)	$L1+(L2+L3+L4+L5+L6+L7+L8+L9+L10+L11+L12+L13) \times 2+a+b+c+d+e+f+g+h+i+j+k+l+m+n+p+q+r$
	Single piping length	Actual length	$L1+L7+L9+L11+j+k+n$
		Equivalent length	<sup>2</sup> 656 ft. (200 m)
	Piping length from the first branch joint to the farthest indoor unit	<sup>3</sup> 132/295 ft. (40/90 m)	$L7+L9+L11+j+k+n$
Piping length from Mode Selection Box (MS) to the downstream indoor unit of itself	132 ft. (40 m)	$j+k+n$	
Level Difference	Level difference between indoor unit and outdoor unit	Outdoor unit up	<sup>4</sup> 230 ft. (70 m)
		Outdoor unit down	360 ft. (110 m)
	Level difference between indoor units	98 ft. (30 m)	---

**NOTES:**

The indoor units should be installed as close to equal as possible on both sides of the Branch Pipe joint.

<sup>1</sup> When counting the total piping length, double the actual length of the distribution pipes between first Branch Pipe joint and Mode Selection Box (MS): Installation.

Total piping length =  $L1+(L2+L3+L4+L5+L6+L7+L8+L9+L10+L11+L12+L13) \times 2+a+b+c+d+e+f+g+h+i+j+k+l+m+n+p+q+r \leq 3280$  ft.(1000 m).

<sup>2</sup> Each Branch Pipe is equivalent to 20 in. (508 mm).

<sup>3</sup> The maximum allowable piping length from the first Branch Pipe joint to the farthest indoor unit must be  $\leq 132$  ft. (40 m), but if the following conditions are met, the maximum allowable length can be extended to 295 ft. (90 m):

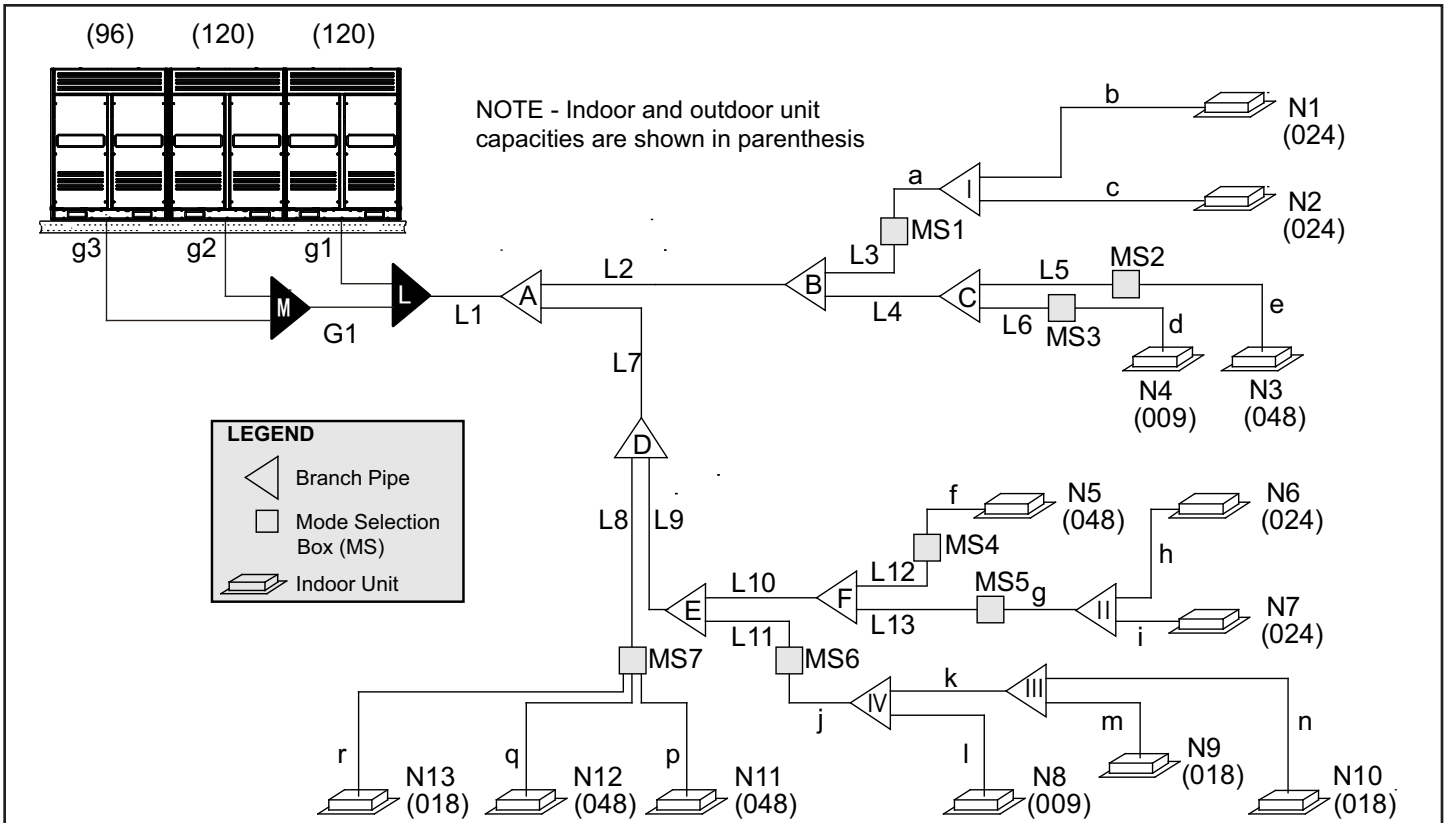
- The piping length from each indoor unit to the nearest Branch Pipe joint or direct connected Mode Selection Box (MS) must be less than 132 ft. (40m) (b to r).
- The difference in length between the outdoor unit to the farthest indoor unit, and the outdoor unit to the nearest indoor unit is  $\leq 132$  ft. (40 m).  
Example: The farthest indoor unit is N10, The nearest indoor unit is N11 ( $L1+L7+L9+L11+j+k+n$ ) minus ( $L1+L7+L8+p$ )  $\leq 132$  ft. (40 m).
- Increase the distribution pipe diameter between the first Branch Pipe and Mode Selection Box (MS) L2-L13. If the pipe diameter is the same as the main outdoor pipe, it does not need to be increased.

**Pipe Size Allowable Increase Diameters (in.):**

3/8 to 1/2	1/2 to 5/8	5/8 to 3/4	3/4 to 7/8	7/8 to 1-1/8	1-1/8 to 1-3/8	1-3/8 to 1-5/8	1-5/8 to 2-1/8
------------	------------	------------	------------	--------------	----------------	----------------	----------------

<sup>4</sup> When the outdoor unit is higher than indoor units and the level difference is over 65.6 ft. (20 m), it is recommended to set an oil return bend every 32.8 ft.(10 m) in the gas pipe of the main pipe. Refer to Installation Instructions for additional details.

<sup>5</sup> When the outdoor unit is lower than indoor units and the level difference is more than 132 ft.(40 m), the main liquid pipe pipe need to increase by one size.



**PIPE AND COMPONENT NAMES**

Name	Designation
Outdoor Unit Connection Pipe	g1, g2, g3, G1
Outdoor Unit Branch Pipe Assembly	L, M
Main Pipe	L1
Indoor Unit Main Pipe	L2, L3, L4, L5, L6, L7, L8, L9, L10, L11, L12, L13
Branch Pipe Assembly between Main Pipe and Mode Selection Box (MS)	A, B, C, D, E, F
Mode Selection Box (MS)	MS1, MS2, MS3, etc.
Branch Pipe Assembly between Mode Selection Box (MS) and Indoor Unit	I, II, III, IV
Indoor Unit auxiliary pipe between Mode Selection Box (MS) and downstream Branch Pipe joint	a, g, j, k
Indoor Unit auxiliary pipe from Indoor Unit to the nearest Branch Pipe joint or direct connected Mode Selection Box (MS)	b, c, d, e, f, h, i, l, m, n, p, q, r
Indoor Unit	N1, N2, N3, etc.

**OUTDOOR UNIT MAIN PIPE SELECTION (L1)**

Outdoor Unit Size	Main Pipe Diameter (in.)							
	Equivalent length of all liquid pipes is <u>less</u> than 295 ft. (90 m)			First Branch Pipe Assembly	Equivalent length of all liquid pipes is <u>more</u> than 295 ft. (90 m)			First Branch Pipe Assembly
	Low Pressure Gas Pipe	High Pressure Gas Pipe	Liquid Pipe		Low Pressure Gas Pipe	High Pressure Gas Pipe	Liquid Pipe	
072	7/8	3/4	3/8	V8MSBP02	7/8	3/4	1/2	V8MSBP02
096	7/8	3/4	1/2	V8MSBP02	7/8	3/4	1/2	V8MSBP02
120	1-1/8	3/4	1/2	V8MSBP03	1-1/8	3/4	5/8	V8MSBP03
144-145	1-1/8	7/8	5/8	V8MSBP03	1-1/8	7/8	5/8	V8MSBP03
168-216	1-3/8	1-1/8	5/8	V8MSBP04	1-3/8	1-1/8	3/4	V8MSBP04
240	1-3/8	1-1/8	5/8	V8MSBP04	1-3/8	1-1/8	3/4	V8MSBP04
264-312	1-3/8	1-1/8	3/4	V8MSBP04	1-3/8	1-1/8	7/8	V8MSBP04
336-432	1-5/8	1-3/8	3/4	V8MSBP05	1-5/8	1-3/8	7/8	V8MSBP05

Note - The Main Pipe (L1) can be selected from the Outdoor Unit Main Pipe Selection table or the Indoor Unit Main Pipe Selection table, the larger size should be used.

**INDOOR UNIT MAIN PIPE SELECTION (L1 to L13)**

Indoor Unit Total Capacity (kBtuh)	Indoor Unit Main Pipe Diameter (in.)			Branch Pipe Assembly
	Low Pressure Gas Pipe	High Pressure Gas Pipe	Liquid Pipe	
A < 018	1/2	3/8	1/4	V8MSBP01
018 ≤ A < 056	3/4	5/8	3/8	V8MSBP01
056 ≤ A < 078	7/8	3/4	3/8	V8MSBP02
078 ≤ A < 112	7/8	3/4	1/2	V8MSBP02
112 ≤ A < 156	1-1/8	7/8	1/2	V8MSBP03
156 ≤ A < 224	1-1/8	7/8	5/8	V8MSBP03
224 ≤ A < 314	1-3/8	1-1/8	3/4	V8MSBP04
314 ≤ A < 460	1-5/8	1-3/8	3/4	V8MSBP05
≤ 460	1-5/8	1-3/8	7/8	V8MSBP05

**OUTDOOR UNIT PIPE SELECTION (g1, g2, g3, G1)**

Pipe	Outdoor Unit Size	Pipe Diameter (in.)		
		Low Pressure Gas Pipe	High Pressure Gas Pipe	Liquid Pipe
g1, g2, g3	6 or 8 ton	7/8	3/4	1/2
	10 or 12 ton	1-1/8	3/4	5/8
G1	- - -	1-3/8	1-1/8	3/4

**OUTDOOR UNIT BRANCH PIPE ASSEMBLY SELECTION (L, M)**

Outdoor Unit Quantity	Parallel Connection with Branch Pipes
2 units	L use V8ODBP02HR
3 units	L + M use V8ODBP03HR

**INDOOR UNIT AUXILIARY PIPE SELECTION (Between Branch Box (MS) And Downstream Branch Joint) (a, g, j, k)**

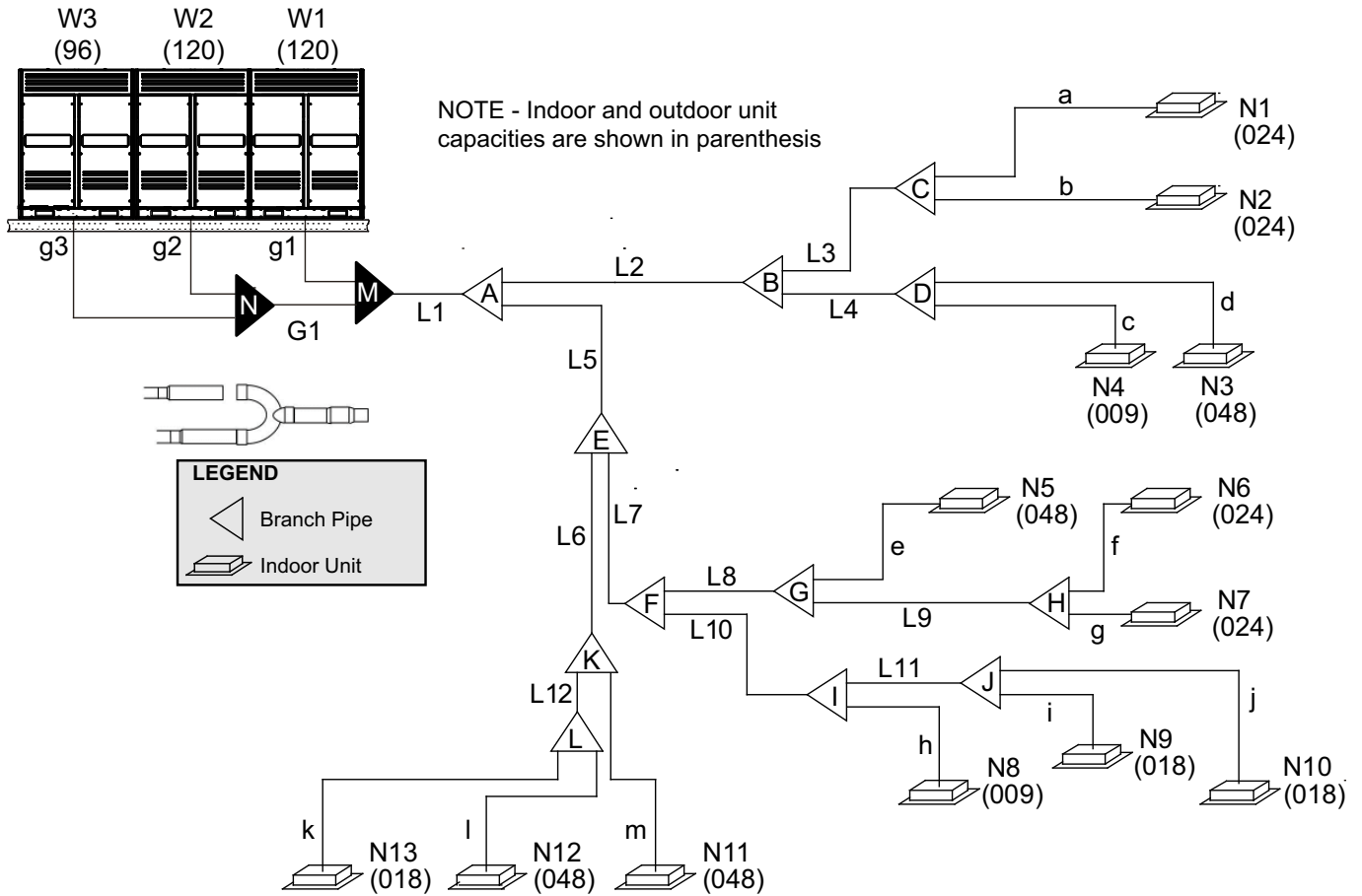
Indoor Unit Capacity (kBtuh)	Pipe Diameter (in.)		Available Branch Pipe
	Gas Pipe	Liquid Pipe	
A<56	5/8	3/8	V8IDBP01

**INDOOR UNIT AUXILIARY PIPE SELECTION**

(From Indoor Unit To The Nearest Branch Joint Or Direct Connected Mode Selection Box (MS) (b, c, d, e, f, h, i, l, m, n, p, q, r)

Indoor Unit Capacity (kBtuh)	Pipe Diameter (in.)			
	Pipe length from indoor unit to nearest branch joint or direct connected Mode Selection Box (MS)			
	Pipe length <u>less</u> than 33 ft (10 m)		Pipe length <u>more</u> than 33 ft (10 m)	
	Gas Pipe	Liquid Pipe	Gas Pipe	Gas Pipe
A<18	1/2	1/4	5/8	3/8
18≤A<54	5/8	3/8	3/4	1/2

## Refrigerant Piping Details VPA Heat Pump



### PIPE AND COMPONENT NAMES

Name	Designation
Outdoor Unit Connection Pipe	g1, g2, g3, G1
Outdoor Unit Branch Pipe Assembly	M, N
Main Pipe	L1
Indoor Unit Main Pipe	L2, L3, L4, L5, L6, L7, L8, L9, L10, L11, L12
Branch Pipe Assembly	A, B, C, D, E, F, G, H, I, J, K, L
Indoor Unit auxiliary pipe from Indoor Unit to the nearest Branch Pipe joint	a, b, c, d, e, f, g, h, i, j, k, l, m
Indoor Unit	N1, N2, N3, etc.

**OUTDOOR UNIT MAIN PIPE SELECTION (L1)**

Outdoor Unit Size	Main Pipe Diameter (in.)					First Branch Pipe Assembly
	Equivalent length of all liquid pipes is <u>less</u> than 295 ft. (90 m)		First Branch Pipe Assembly	Equivalent length of all liquid pipes is <u>more</u> than 295 ft. (90 m)		
	Low Pressure Gas Pipe	Liquid Pipe		Low Pressure Gas Pipe	Liquid Pipe	
072	7/8	3/8	V8IDBP02	7/8	1/2	V8IDBP02
096	7/8	3/8	V8IDBP02	1-1/8	1/2	V8IDBP03
120	1-1/8	1/2	V8IDBP03	1-1/8	5/8	V8IDBP03
144-145	1-1/8	1/2	V8IDBP03	1-1/8	5/8	V8IDBP03
168-216	1-1/8	5/8	V8IDBP03	1-3/8	3/4	V8IDBP04
240	1-1/8	5/8	V8IDBP03	1-3/8	3/4	V8IDBP04
264-312	1-3/8	3/4	V8IDBP04	1-3/8	7/8	V8IDBP04
336-432	1-3/8	3/4	V8IDBP04	1-5/8	7/8	V8IDBP05

Note - The Main Pipe (L1) can be selected from the Outdoor Unit Main Pipe Selection table or the Indoor Unit Main Pipe Selection table, the larger size should be used.

**INDOOR UNIT MAIN PIPE SELECTION (L1 to L12)**

Indoor Unit Total Capacity (kBtuh)	Indoor Unit Main Pipe Diameter (in.)		Branch Pipe Assembly
	Gas Pipe	Liquid Pipe	
A < 056	5/8	3/8	V8IDBP01
056 ≤ A < 078	3/4	3/8	V8IDBP01
078 ≤ A < 112	7/8	3/8	V8IDBP02
112 ≤ A < 156	1-1/8	1/2	V8IDBP03
156 ≤ A < 224	1-1/8	5/8	V8IDBP03
224 ≤ A < 314	1-3/8	3/4	V8IDBP04
314 ≤ A < 460	1-5/8	3/4	V8IDBP05
≤ 460	1-5/8	7/8	V8IDBP05

**OUTDOOR UNIT PIPE SELECTION (g1, g2, g3, G1)**

Pipe	Outdoor Unit Size	Pipe Diameter (in.)	
		Low Pressure Gas Pipe	Liquid Pipe
g1, g2, g3	6 or 8 ton	7/8	1/2
	10 or 12 ton	1-1/8	5/8
G1	---	1-3/8	3/4

**OUTDOOR UNIT BRANCH PIPE ASSEMBLY SELECTION (M, N)**

Outdoor Unit Quantity	Parallel Connection with Branch Pipes
2 units	M use V8ODBP02HP
3 units	M + N use V8ODBP03HP

**INDOOR UNIT AUXILIARY PIPE SELECTION**

(From Indoor Unit To The Nearest Branch Joint (a, b, c, d, e, f, g, h, i, j, k, l, m))

Indoor Unit Capacity (kBtuh)	Pipe Diameter (in.)			
	Pipe length from indoor unit to nearest branch joint			
	Pipe length <u>less</u> than 33 ft (10 m)		Pipe length <u>more</u> than 33 ft (10 m)	
	Gas Pipe	Liquid Pipe	Gas Pipe	Gas Pipe
A<18	1/2	1/4	5/8	3/8
18≤A<54	5/8	3/8	3/4	1/2