

**INSTALLATION INSTRUCTIONS FOR FILLER PANEL KIT
(11X23; 613451-02) USED WITH LGH/LCH/KG/KC/KH 024-090 UNITS**

Shipping and Packing List

Package 1 of 1 contains:

- 1- Filler panel

Application

The filler panel kit is used when short accessories are installed in taller units.

⚠ WARNING

Improper installation, adjustment, alteration, service or maintenance can cause property damage, personal injury or loss of life. Installation and service must be performed by a qualified installer, service agency or the gas supplier

⚠ CAUTION

Danger of sharp metallic edges. Can cause injury. Take care when servicing unit to avoid accidental contact with sharp edges.

Installation

- 1- Disconnect all electrical power to unit and open the panel on the right side of the unit. See figure 1.
- 2- Loosen but don't remove screws securing brackets to the filler panel.
- 3- Insert the top of filler panel under unit top panel and push panel in place. Secure with previously loosened screws. See figure 2.

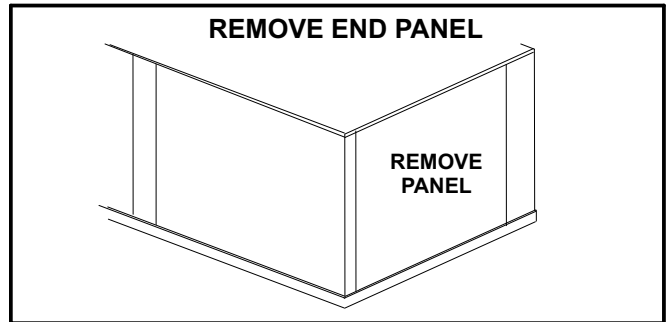


FIGURE 1

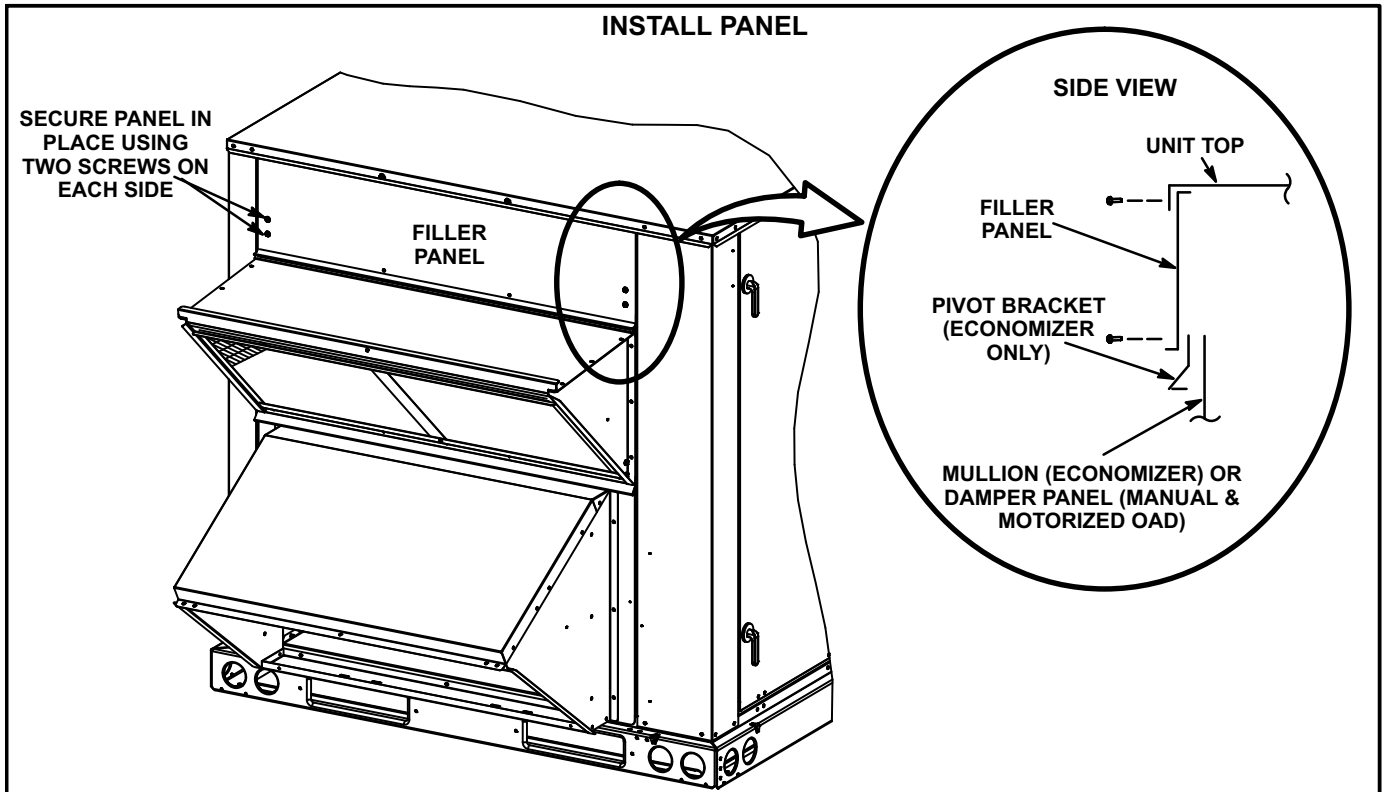


FIGURE 2