



©2016 Lennox Industries Inc.
Dallas, Texas, USA

**AIR CONDITIONER COIL
REPLACEMENT KIT**

**INSTALLATION INSTRUCTIONS FOR AIR CONDITIONER
ALUMINUM COIL REPLACEMENT KITS**

Shipping and Packing List

Package 1 of 1 contains:

- 1 - Coil assembly
- 1 - Bag assembly
 - 1- Installation Instruction
 - 1- 1/2" coupling
 - 1- Discharge line

Check the replacement coil for shipping damage. If you find any damage, immediately contact the last carrier.

⚠ WARNING

Improper installation, adjustment, alteration, service or maintenance can cause personal injury, loss of life, or damage to property.

Installation and service must be performed by a licensed professional installer (or equivalent) or a service agency.

⚠ CAUTION

As with any mechanical equipment, contact with sharp sheet metal edges can result in personal injury. Take care while handling this equipment and use protective clothing.

⚠ WARNING

To prevent personal injury, as well as damage to panels, unit or structure, observe the following:

While installing or servicing this unit, carefully stow all removed panels so that the panels will not cause injury to personnel, objects or nearby structures. Also, take care to store panels where they will not be subject to damage (e.g., being bent or scratched).

While handling or stowing the panels, consider any weather conditions (especially wind) that may cause panels to be blown around and damaged.

⚠ WARNING



Electric Shock Hazard. Can cause injury or death. Unit must be grounded in accordance with national and local codes.

Line voltage is present at all components when unit is not in operation on units with single-pole contactors. Disconnect all remote electric power supplies before opening access panel. Unit may have multiple power supplies.

Requirements

Verify that the new coil has holding charge. Remove the cap from the discharge line and press the valve core. The coil should have approximately 10 psi dry air holding charge. If there is no charge, repressurize the coil and check for leaks.

Verify that the liquid and discharge manifold position matches that of the existing coil before removing original coil. Take care not to damage the liquid line stub.



FIGURE 1. Aluminum Replacement Coil

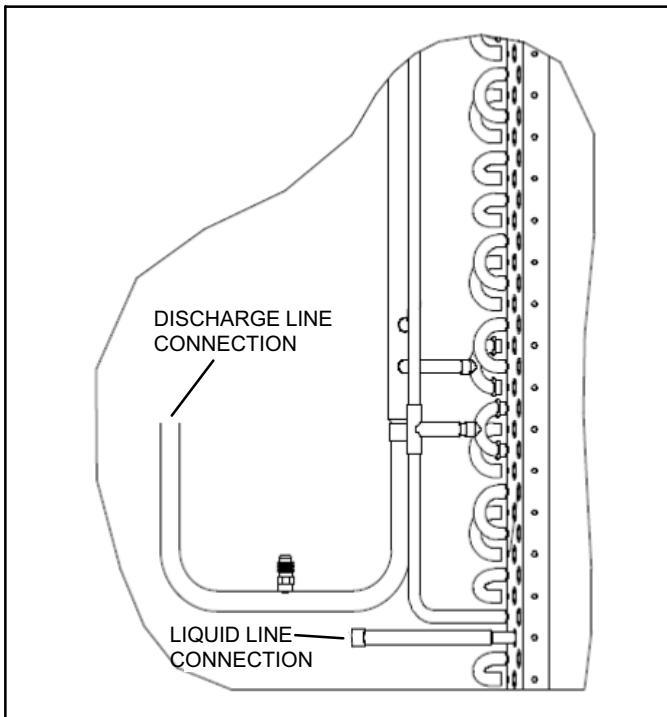


FIGURE 2. Manifold-Style Replacement Coil

Applicable Units

This installation instruction is used with the following air conditioner manifold-style replacement coils:

Applicable Units	Lennox Original Catalog Number	Lennox Original Part Number
SL18XC1-024	11Y36	613742-01
SL18XC1-030	11Y38	613742-02
SL18XC1-036	11Y39	613742-03
SL18XC1-042	11Y40	613742-04
SL18XC1-048, -060	11Y41	613742-05
EL16XC1-018	13T50	614301-01
EL16XC1-024	13T51	614301-02
EL16XC1-030	13T53	614301-03
EL16XC1-036	13T54	614301-04
EL16XC1-041, -042, -048	13T57	614301-05
EL16XC1-047	13T58	614301-06
EL16XC1-060	14W99	614301-07
ML14XC1-018	13T38	614262-01
ML14XC1-024	13T39	614262-02
ML14XC1-030	13T40	614262-03
ML14XC1-036	13T41	614262-04
ML14XC1-041, -042, -048	13T43	614262-05

ML14XC1-047, -060	13T46	614262-06
ML14XC1-059	13T48	614262-07

Installation

⚠ CAUTION

Before attempting to perform any service or maintenance, turn the electrical power to unit OFF at disconnect switch.

⚠ IMPORTANT

The stub of the coil must be secured if any adjustments to the liquid line are needed. Do not allow it to move.

1. Disconnect all power to the unit.
2. Reclaim the refrigerant from the unit.
3. Remove access panel, side (louvered) panels, top panel, and corner posts. Remove the screws that attach the coil endplate to the control box and compressor enclosure. Keep the screws.
4. Unscrew the liquid service and suction valve brackets from the corner mullion. Braze off the liquid line at the swaged joint next to the existing coil outlet.
5. Use a tubing cutter to cut the discharge line at the optimal location to facilitate the installation of the new coil.
6. Remove the existing coil.
7. Install the replacement coil assembly.
8. Remove the holding charge by pressing the valve core. Use a tubing cutter to cut off the discharge line to facilitate the installation of the new coil.

⚠ IMPORTANT

Apply a wet cloth to the factory copper-to-aluminum joints and the pressure switch to prevent heat damage when brazing in the field copper-to-copper joints for the replacement coil. See figure 3.

9. Install new discharge line. **See figures 3, 4 and 5 for important precautions regarding brazing.** Align the discharge line on the replacement coil with the discharge line from the compressor. Install the provided coupling between the two tubes. Braze the coupling into place.
10. Braze in the liquid line. Reattach the liquid and suction service valves.
11. Replace the screws that attach the coil endplate to the control box and compressor enclosure.
12. Replace the corner posts, side (louvered) panels and top panel.
13. Refer to the unit installation instructions for leak testing, evacuation and start-up procedures. Charge the unit as outlined in the installation instructions or according to the charging sticker.
14. Once installation of the replacement coil is complete, confirm that all refrigerant tubing and wiring is properly routed away from other wiring and sharp metal edges.

15. Start the compressor and observe the discharge line. Verify that there is minimal vibration between the shock loop and the manifold on the outdoor coil's discharge line.
16. If there is visible motion, apply weight kit (catalog number 38K46) to the discharge line. Install the weight kit on the horizontal run after the shock loop or other

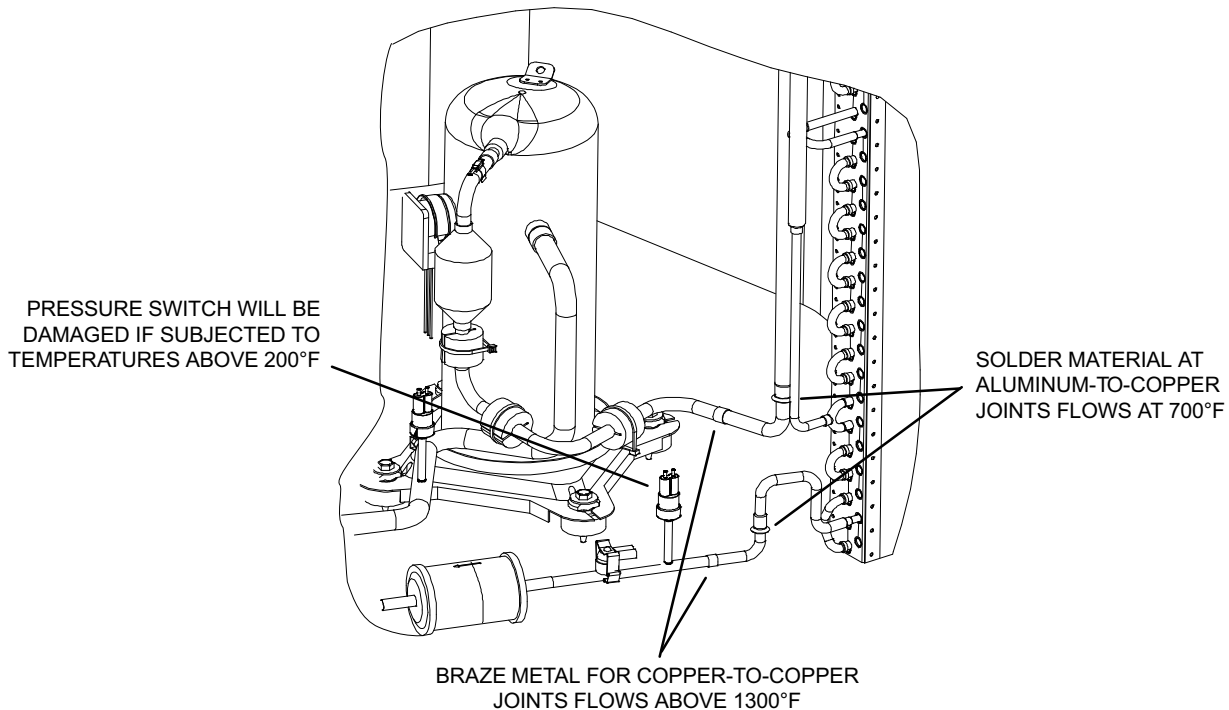
suitable area to achieve acceptable results. Rotate the weight kit on the tubing to change vibration characteristics.

NOTE - *Visible motion could result in a future failure of the replacement coil.*

17. Replace access panel.

IMPORTANT

OBSERVE THE FOLLOWING PRECAUTIONS TO PREVENT DAMAGE TO ALUMINUM SOLDER JOINTS OR PRESSURE SWITCH WHEN REPLACING AN ALUMINUM OUTDOOR COIL



TO PREVENT DAMAGE TO ALUMINUM JOINTS OR THE PRESSURE SWITCH, WET RAGS AND / OR THERMAL TRAP PASTE MUST BE APPLIED TO THE AREAS HIGHLIGHTED BELOW BEFORE BRAZING. WET RAGS MUST BE LEFT ON PROTECTED AREAS UNTIL BRAZED JOINTS HAVE COOLED DOWN TO AMBIENT TEMPERATURE TO PREVENT MIGRATION OF HEAT INTO THE ALUMINUM SOLDERED JOINTS OR PRESSURE SWITCH.

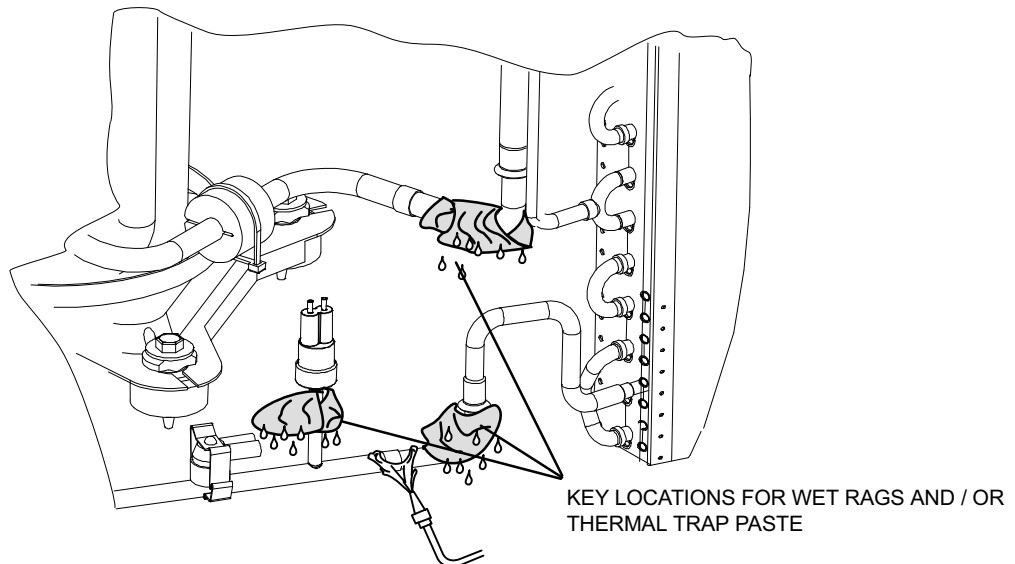
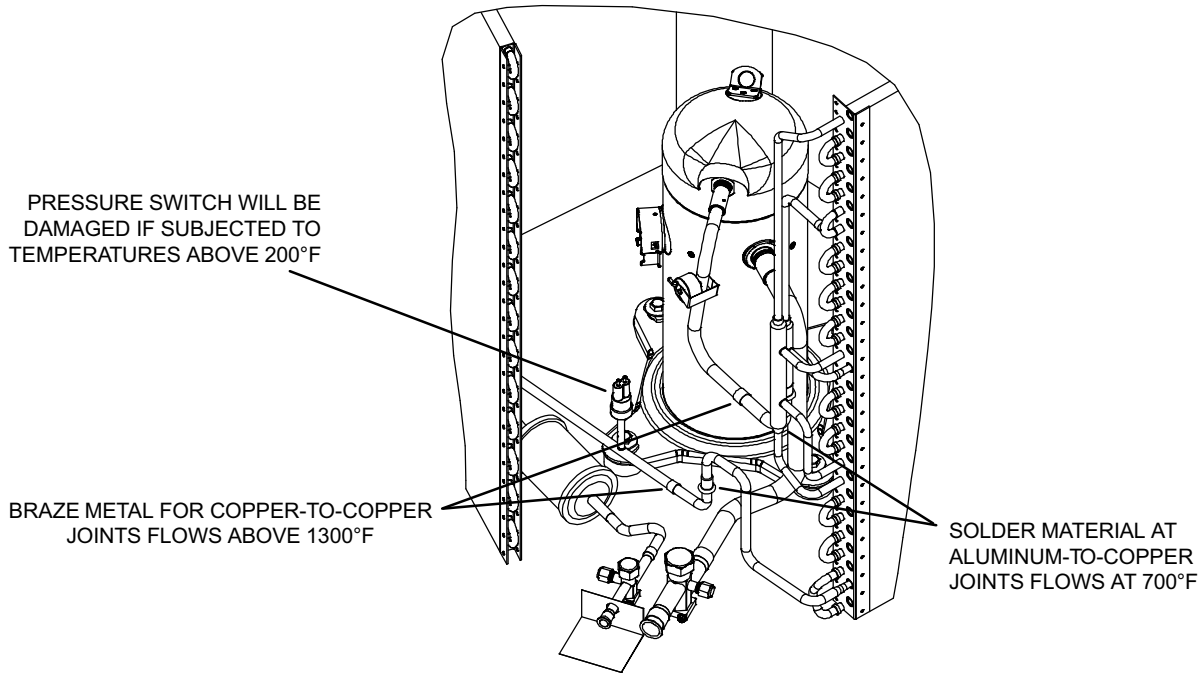


FIGURE 3. Important Precautions for Coil Installation — SL18XC1 Unit

IMPORTANT

OBSERVE THE FOLLOWING PRECAUTIONS TO PREVENT DAMAGE TO ALUMINUM SOLDER JOINTS OR PRESSURE SWITCH WHEN REPLACING AN ALUMINUM OUTDOOR COIL



TO PREVENT DAMAGE TO ALUMINUM JOINTS OR THE PRESSURE SWITCH, WET RAGS AND / OR THERMAL TRAP PASTE MUST BE APPLIED TO THE AREAS HIGHLIGHTED BELOW BEFORE BRAZING. WET RAGS MUST BE LEFT ON PROTECTED AREAS UNTIL BRAZED JOINTS HAVE COOLED DOWN TO AMBIENT TEMPERATURE TO PREVENT MIGRATION OF HEAT INTO THE ALUMINUM SOLDERED JOINTS OR PRESSURE SWITCH.

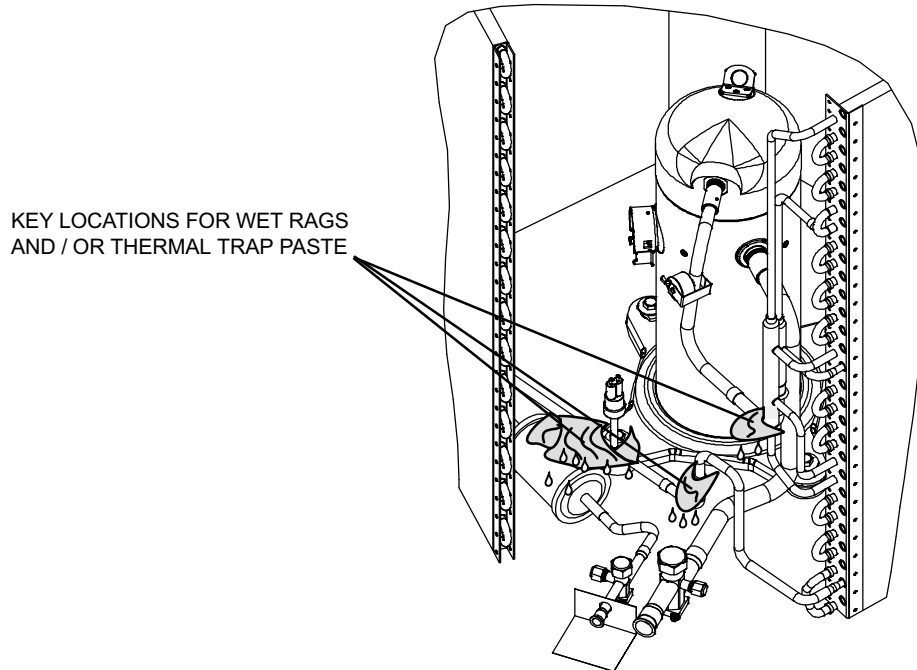
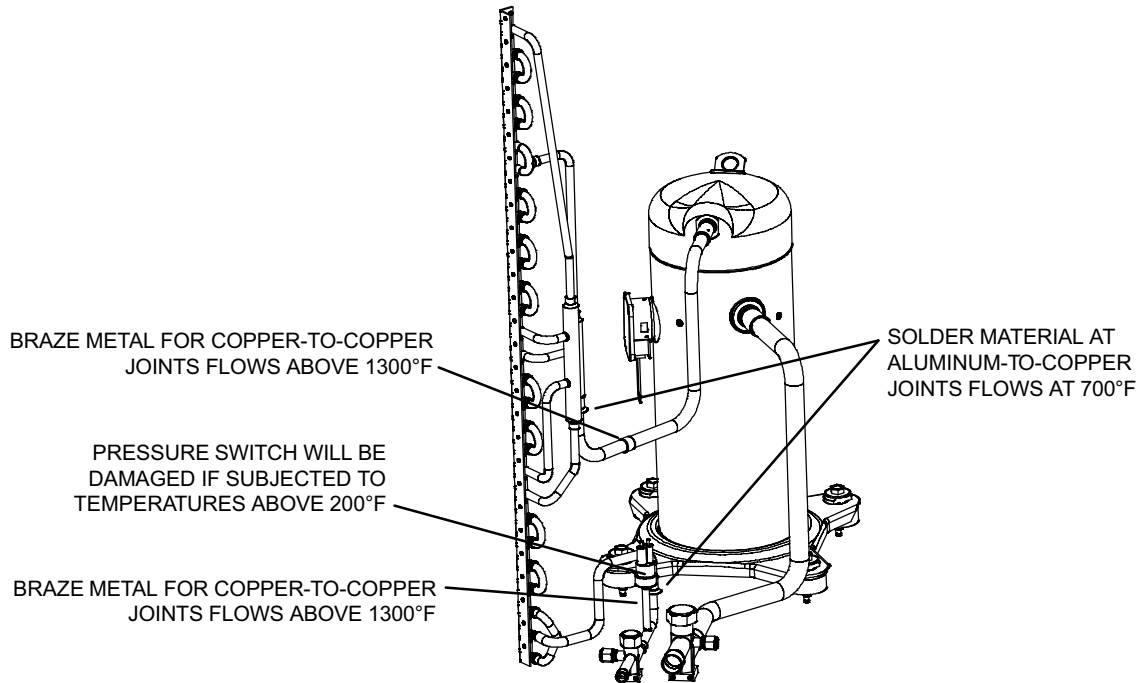


FIGURE 4. Important Precautions for Coil Installation — EL16XC1 Unit

IMPORTANT

OBSERVE THE FOLLOWING PRECAUTIONS TO PREVENT DAMAGE TO ALUMINUM SOLDER JOINTS OR PRESSURE SWITCH WHEN REPLACING AN ALUMINUM OUTDOOR COIL



TO PREVENT DAMAGE TO ALUMINUM JOINTS OR THE PRESSURE SWITCH, WET RAGS AND / OR THERMAL TRAP PASTE MUST BE APPLIED TO THE AREAS HIGHLIGHTED BELOW BEFORE BRAZING. WET RAGS MUST BE LEFT ON PROTECTED AREAS UNTIL BRAZED JOINTS HAVE COOLED DOWN TO AMBIENT TEMPERATURE TO PREVENT MIGRATION OF HEAT INTO THE ALUMINUM SOLDERED JOINTS OR PRESSURE SWITCH.

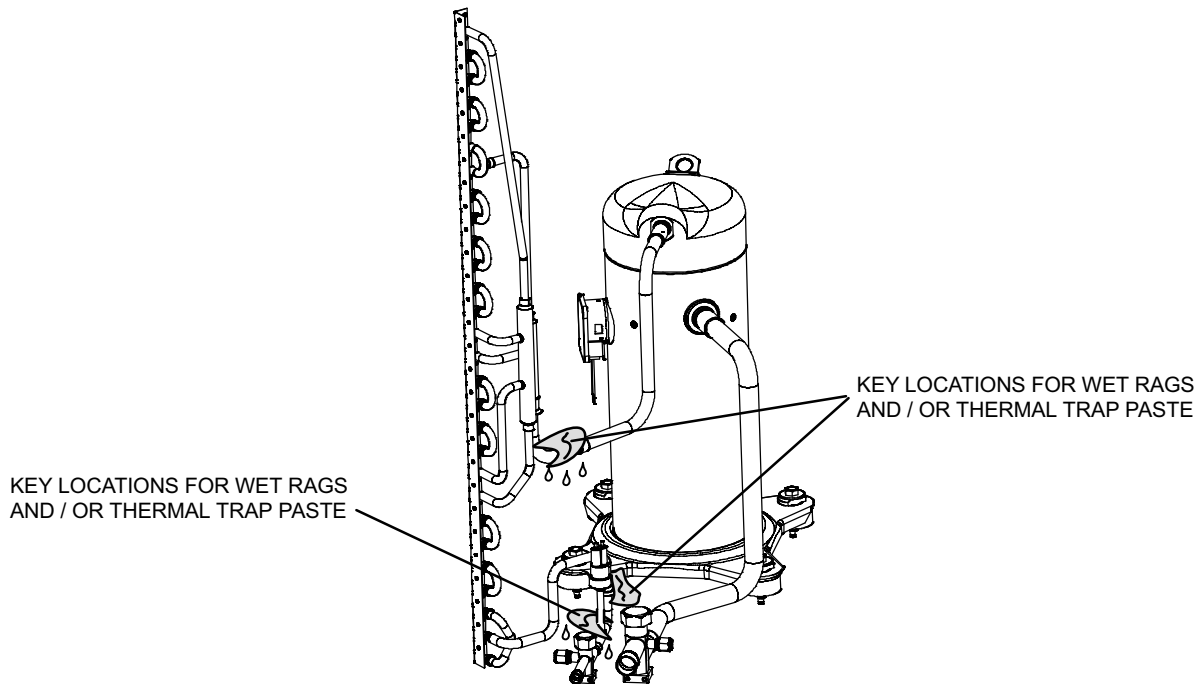


FIGURE 5. Important Precautions for Coil Installation — ML14XC1 Unit