

**INSTALLATION INSTRUCTIONS FOR BLOWER DECK STABILIZING KIT
(11Y97; 614112-01) USED WITH LGH/LCH/KG/KC/KH 024-090 UNITS**

Shipping and Packing List

Package 1 of 1 contains:

- 2- Side brackets
- 1- Support rib
- 1- Blower motor base backing plate
- 1- Bag assembly containing:
 - 10-#10-16 X 5/8" self-drilling screws
 - 6-1/4 - 28 UNF X 3/8 screws

Application

The blower deck stabilizing kit reinforces the blower housing and associated parts.

⚠ WARNING

Improper installation, adjustment, alteration, service or maintenance can cause property damage, personal injury or loss of life. Installation and service must be performed by a qualified installer, service agency or the gas supplier

⚠ CAUTION

Danger of sharp metallic edges. Can cause injury. Take care when servicing unit to avoid accidental contact with sharp edges.

Installation

- 1- Disconnect all electrical power to unit and open blower access panel.
- 2- Remove blower belt and blower motor.
- 3- *KG/KC/KH Units* -
Remove existing screws and use to install side brackets as shown in figure 1.
- LGH/LCH Units* -
Remove and retain screws securing factory-installed side brackets. Discard factory-installed brackets and install kit side brackets using retained screws. See figure 1.
- 4- Remove and retain three screws on blower motor base flange. See figure 1.

INSTALL SIDE BRACKETS

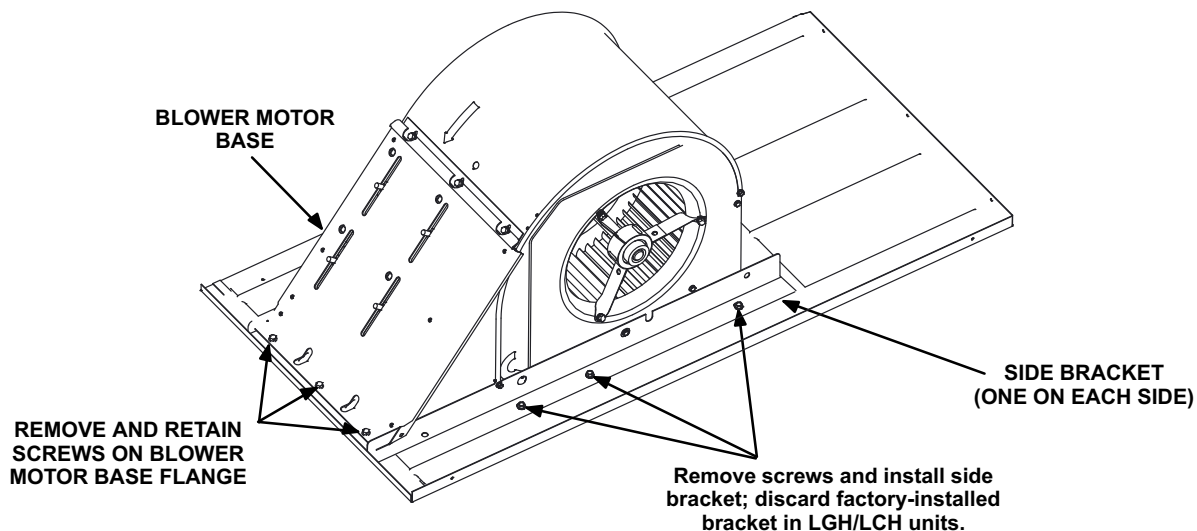


FIGURE 1

5- Install blower motor base backing plate and secure with six self-drilling screws from kit. See figure 2.

Note - LGH/LCH units equipped with a 2hp motor have a factory-installed backing plate. Remove the factory-installed plate and install kit plate.

6- Reinsert the retained screws from step 4 and enlarge the engaging holes on the blower deck. This will allow the support rib to fasten to the blower deck more securely.

7- Place support rib on underside of blower deck. See figure 3. Align three holes on rib with three holes from screws removed in step 4. Secure support rib to blower deck with retained screws.

8- Install UNF screws through side bracket and backing plate on both sides of blower motor base. See figure 5.

9- Replace blower motor and belt. Restore power to unit.

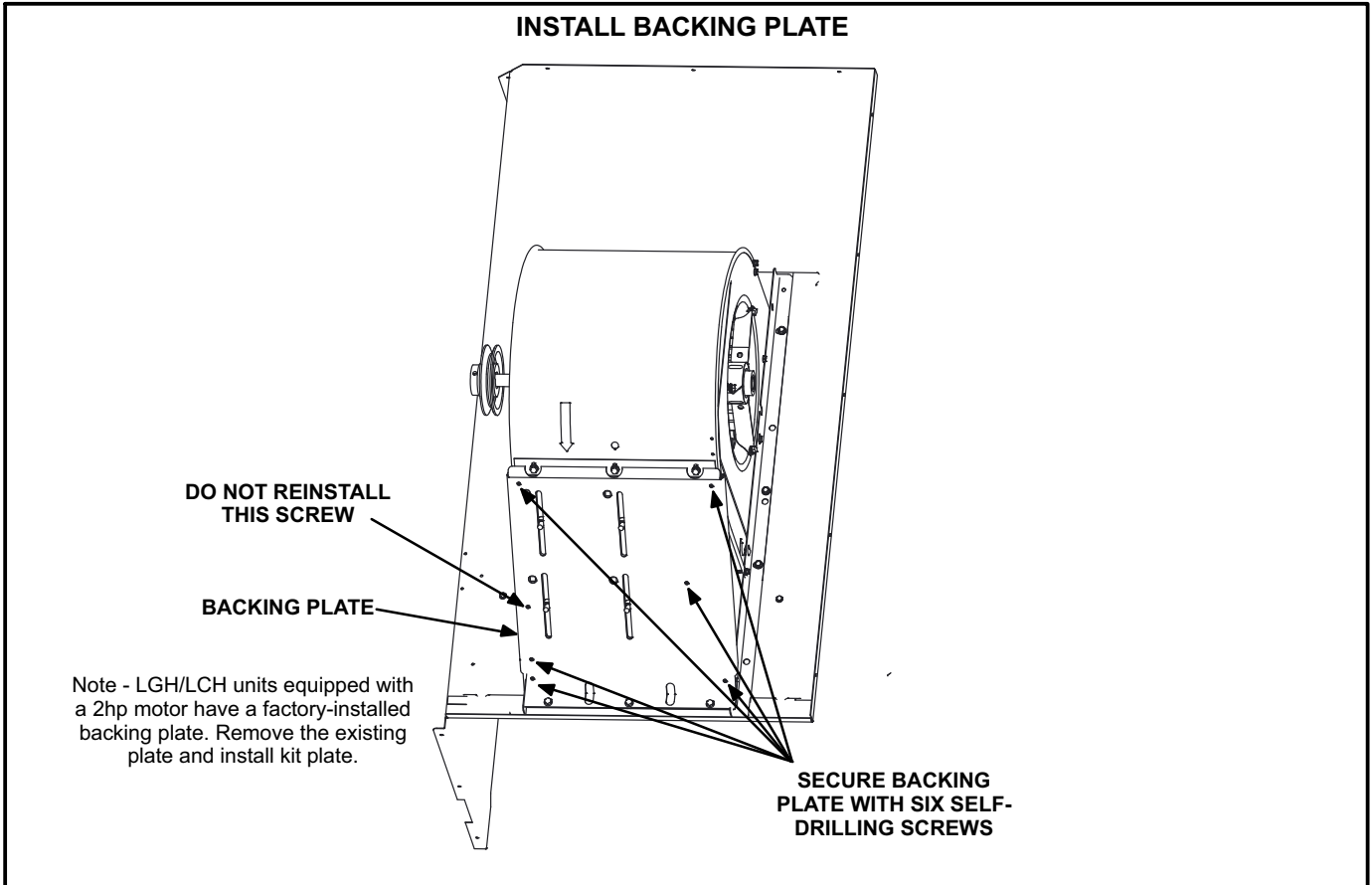


FIGURE 2

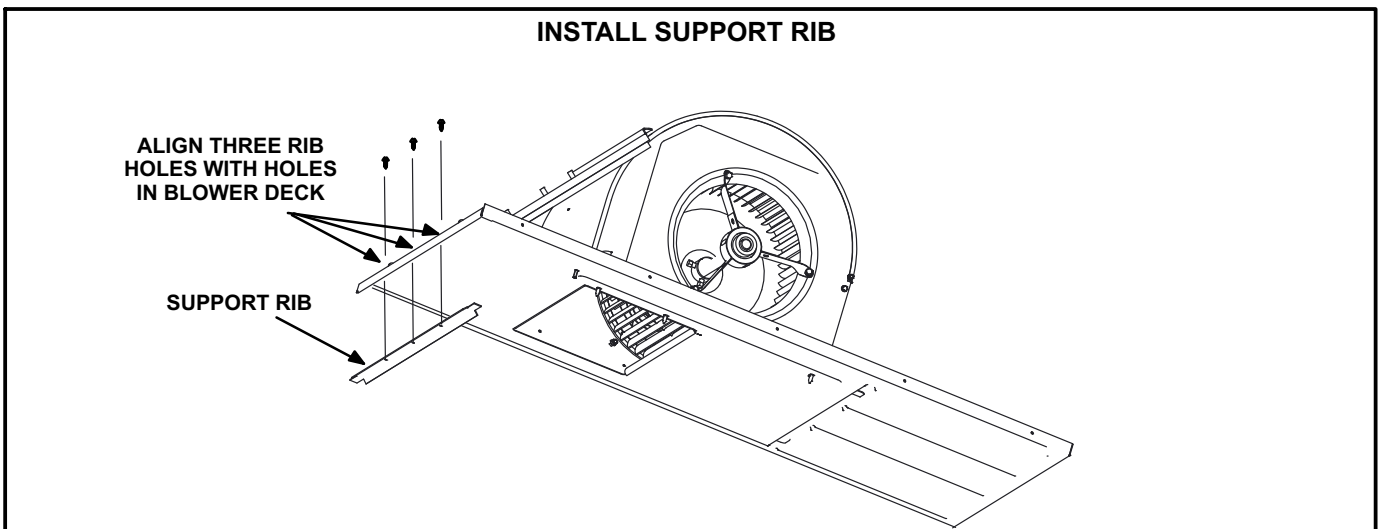


FIGURE 3

SECURE RIB SUPPORT

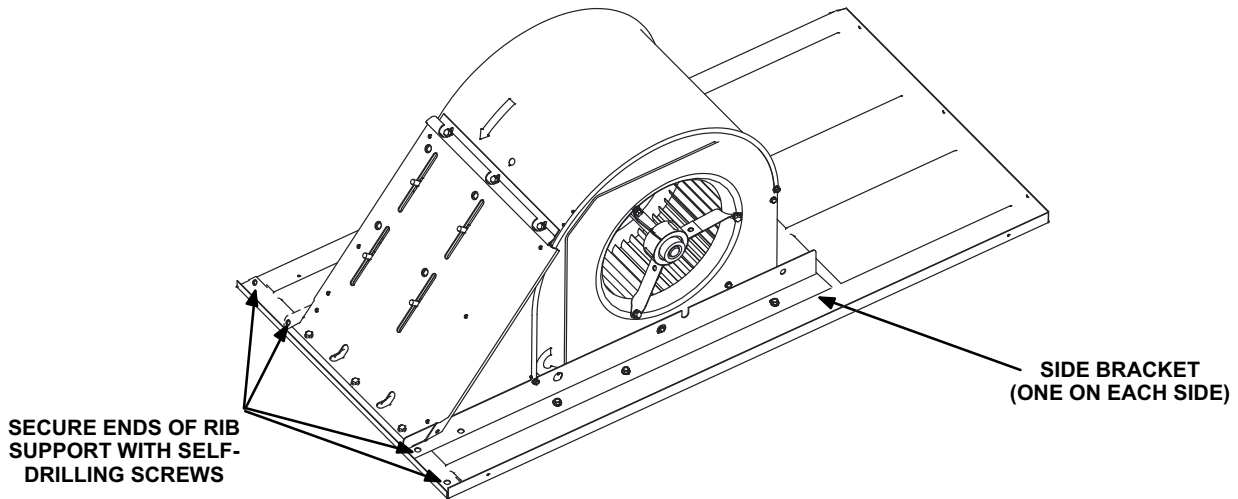


FIGURE 4

SECURE SIDE BRACKET TO MOUNTING PLATE

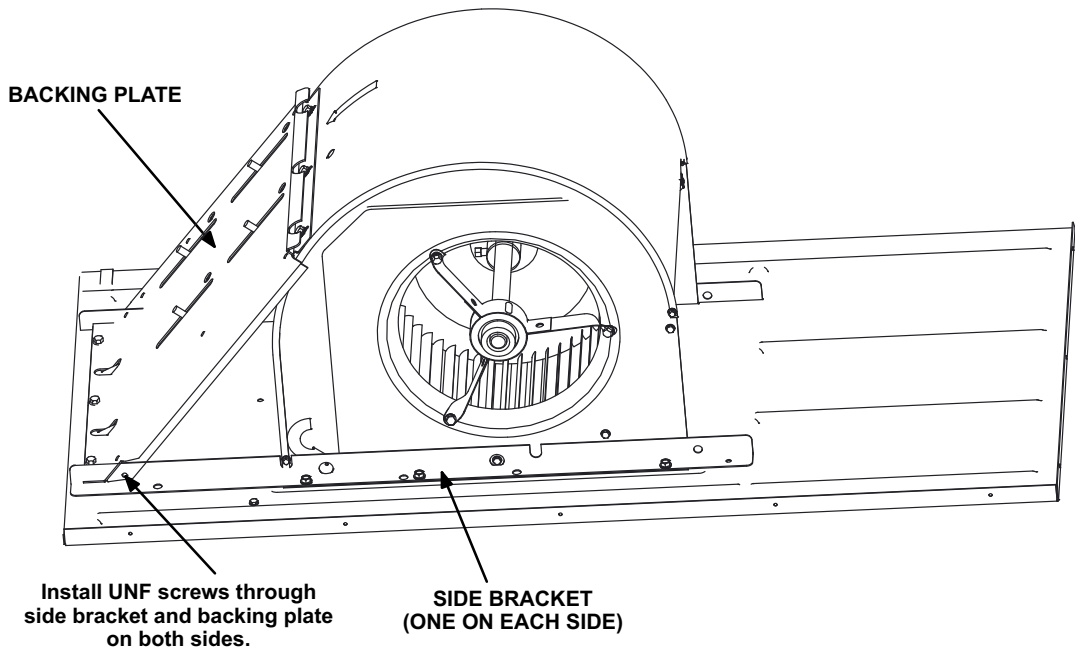


FIGURE 5