

PRESSURE SWITCH REPLACEMENT KIT

INSTALLATION INSTRUCTIONS FOR COMBUSTION AIR PRESSURE SWITCH KITS (14A39, 14A40, 14A41 & 14A42) USED WITH 90% EFFICIENCY MODULATING GAS FURNACES

Shipping & Packing List

Package 1 of 1 contains:

- 1 - Pressure switch

Application

Pressure switch replacement kits (14A39, 14A40, 14A41 and 14A42) are used with modulating furnaces. See table 1 for usage and elevation.

⚠ WARNING

This kit is to be installed by a licensed professional service technician (or equivalent) or other qualified agency in accordance with the manufacturer's instructions, all codes and requirements of the authority having jurisdiction in the USA, and the requirements of the CSA-B149 installation codes in Canada. If the information in these instructions is not followed exactly, personal injury or loss of life may occur. The qualified agency performing this work assumes responsibility for this conversion.

**TABLE 1
Kit Number and Elevation**

Furnace	Kit	Elevation (ft.)
Upflow/ Horizontal	14A39	0 - 7500
	14A40	7501 - 10,000
Downflow	14A41	0 - 7500
	14A42	7501 - 10,000

Installation

- 1 - Turn off the electrical power and gas supply to the unit.
- 2 - Remove the heating compartment access panel.

- 3 - Remove the tubing and disconnect wires from the existing pressure switch. Label wires and tubing making note of tubing color and negative and positive pressure switch ports.
- 4 - Remove the existing pressure switch by carefully pressing the tab which secures the switch assembly to the cold end header box. See figure 1.
- 5 - Reconnect existing wires to replacement pressure switch.
- 6 - Install replacement pressure switch. Reconnect pressure switch tubing as shown in figures 2 and 3.
- 7 - Replace access panel and restore the electrical power and gas supply to the unit.
- 8 - Follow lighting instructions on unit nameplate.

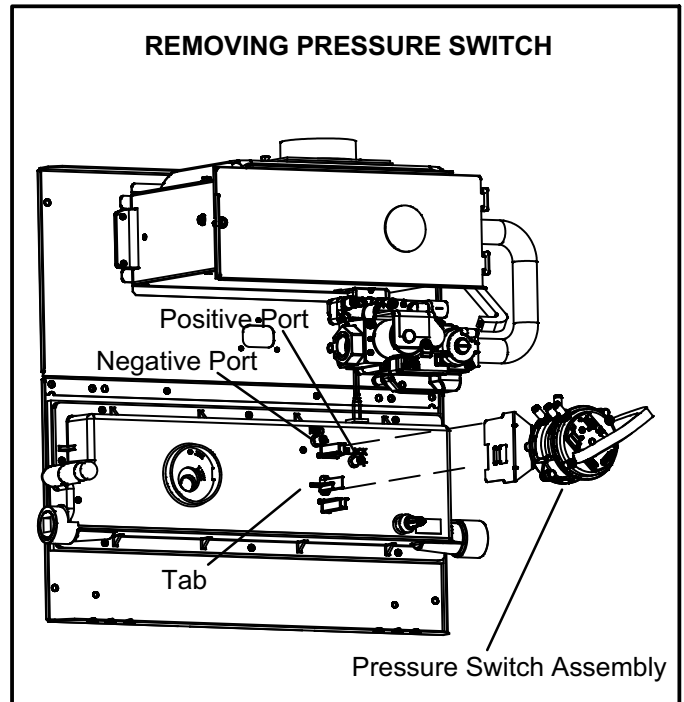


FIGURE 1

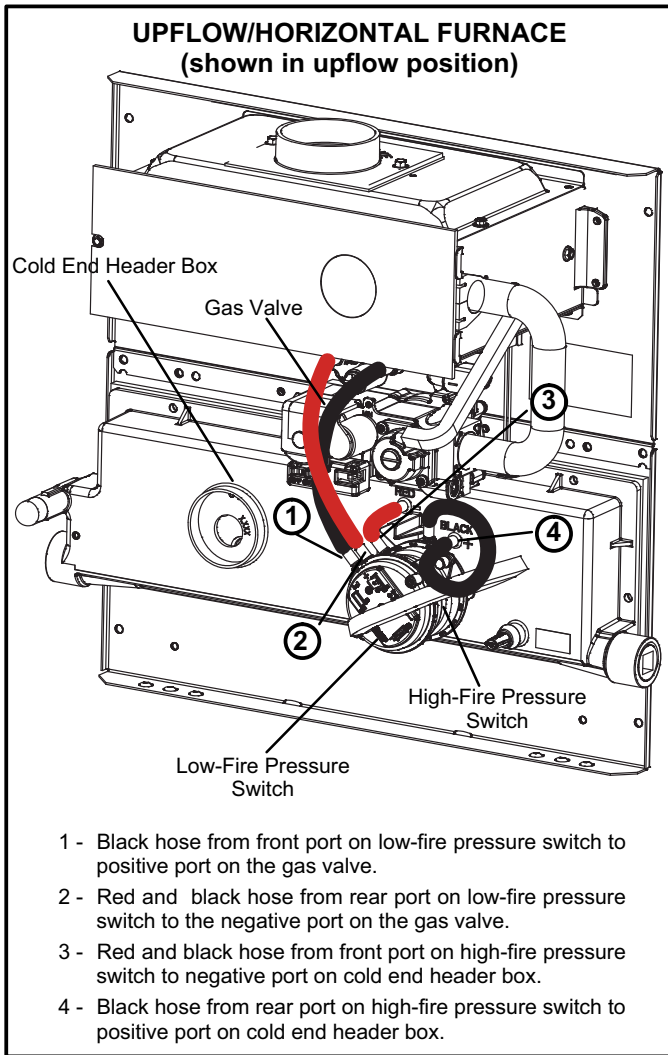


FIGURE 2

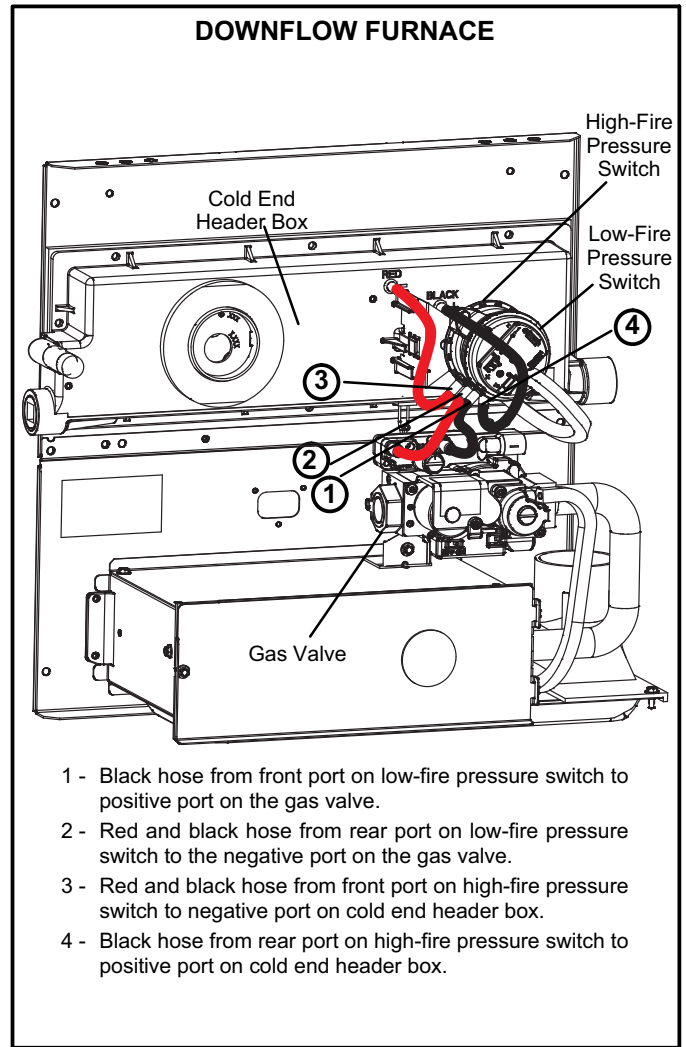


FIGURE 3

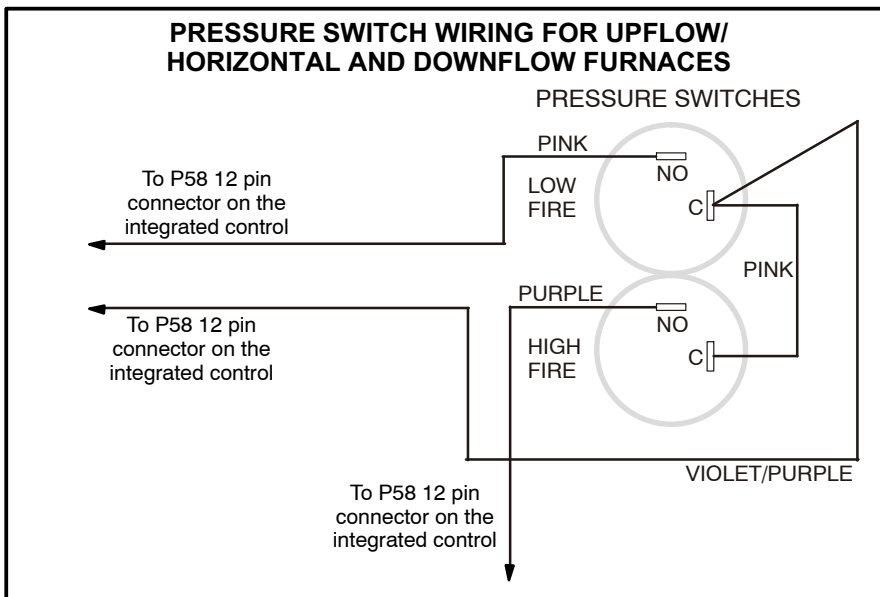


FIGURE 4